

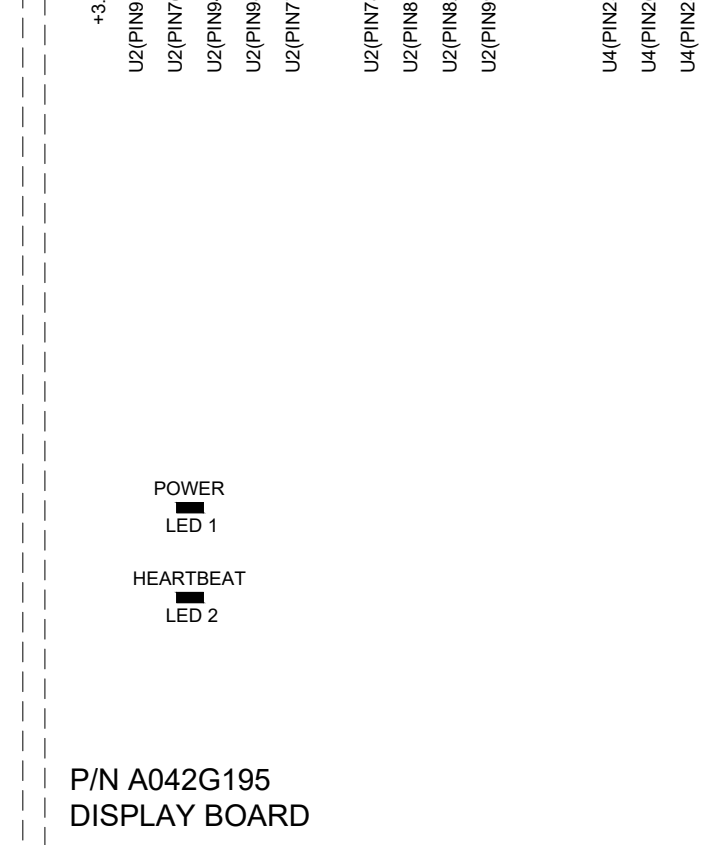
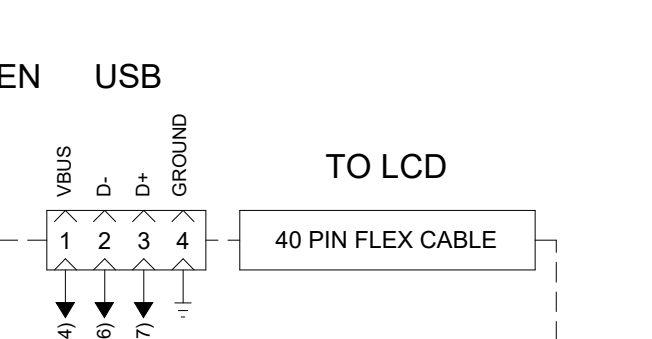
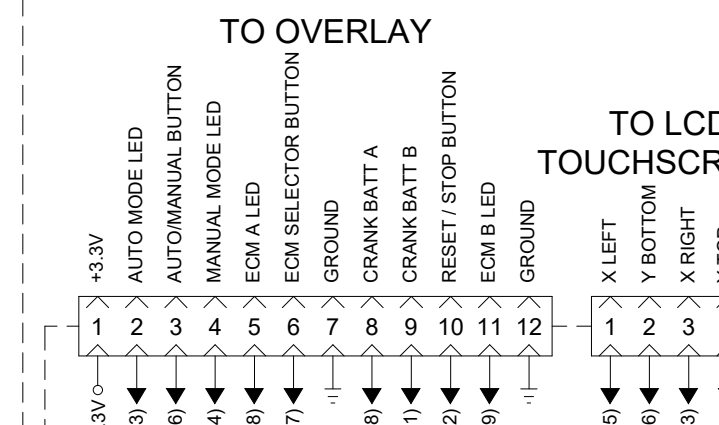
FPDP GEN II
 CS P/N A042G185
 SS P/N A042G187

TERMINAL BLOCK LEGEND

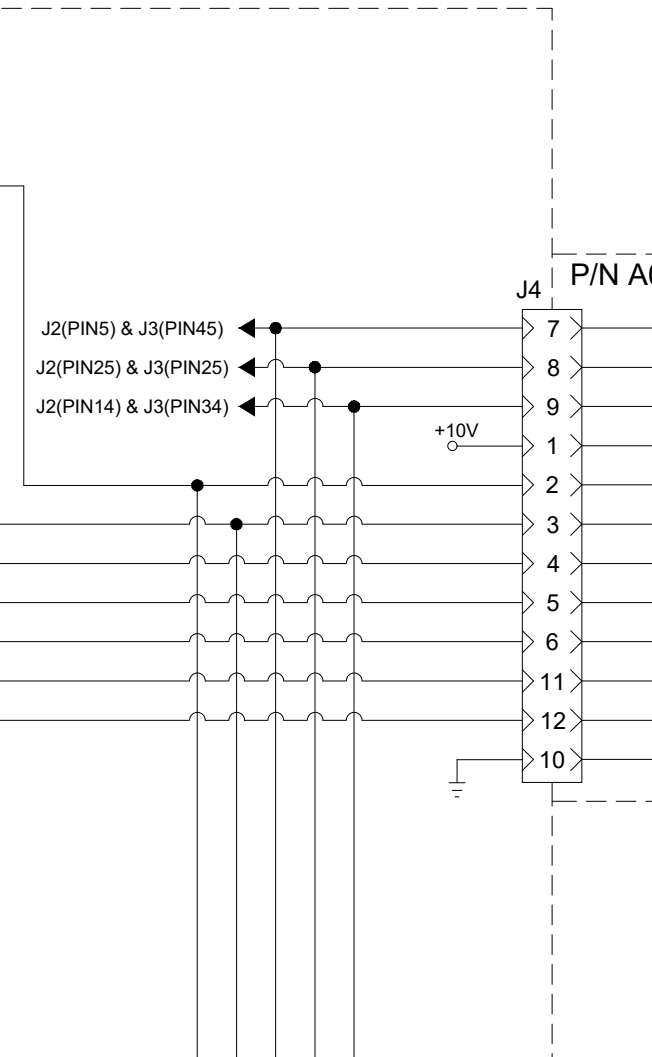
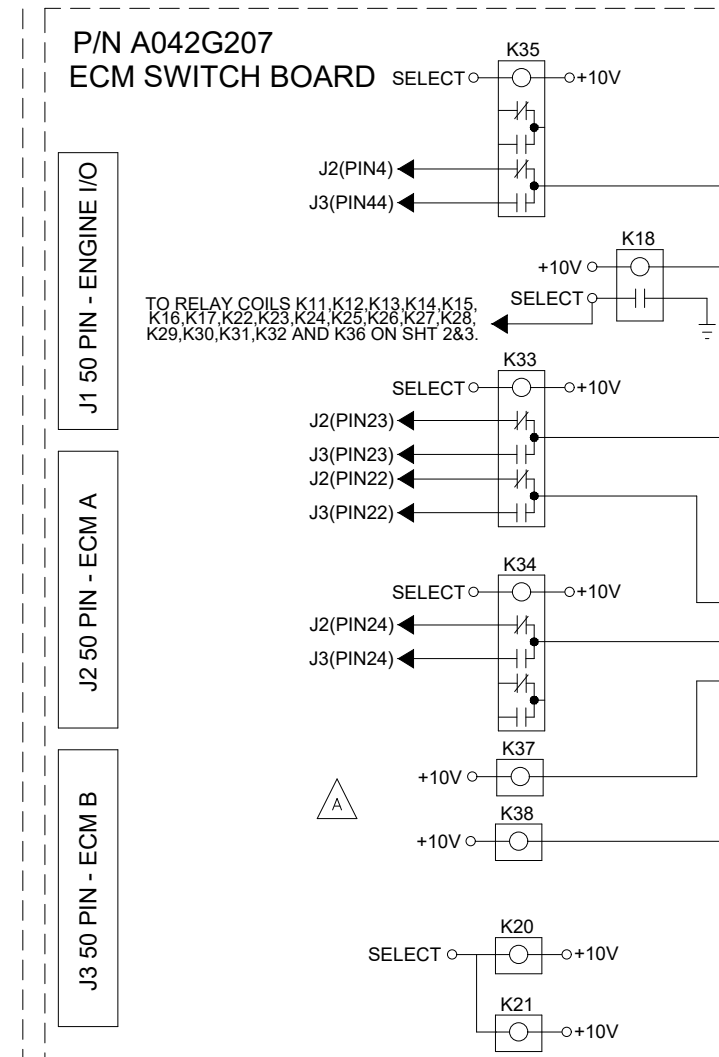
TB1 AUTO/MANUAL
 TB2 CRANK TERMINATION SWITCH
 TB3 OVERSPEED SWITCH
 TB4 LOW LUBRICANT PRESSURE SWITCH
 TB5 HIGH ENGINE TEMPERATURE SWITCH
 TB6 BATTERY 1 POSITIVE

TB8 BATTERY 2 POSITIVE
 TB9 MAIN BATTERY CONTACT 1 COIL
 TB10 MAIN BATTERY CONTACT 2 COIL
 TB11 COMMON BATTERY 1 AND 2 NEGATIVE
 TB301 ELECTRONIC CONTROL MODULE SWITCH
 TB302 FUEL INJECTION MALFUNCTION

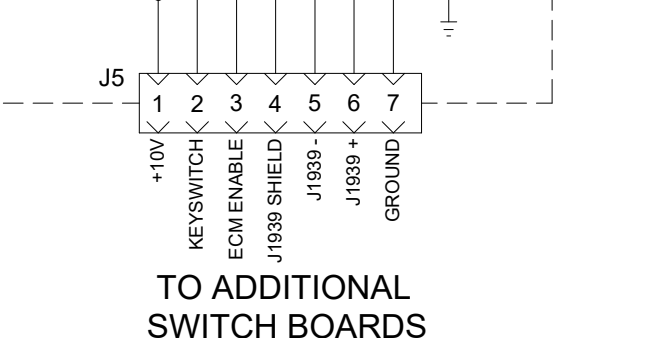
TB303 ELECTRONIC CONTROL MODULE WARNING
 TB304 ELECTRONIC CONTROL MODULE FAILURE
 TB310 RAW WATER HIGH INLET TEMPERATURE
 TB311 CLOGGED RAW WATER COOLANT LOOP STRAINER
 TB312 LOW ENGINE TEMPERATURE SWITCH



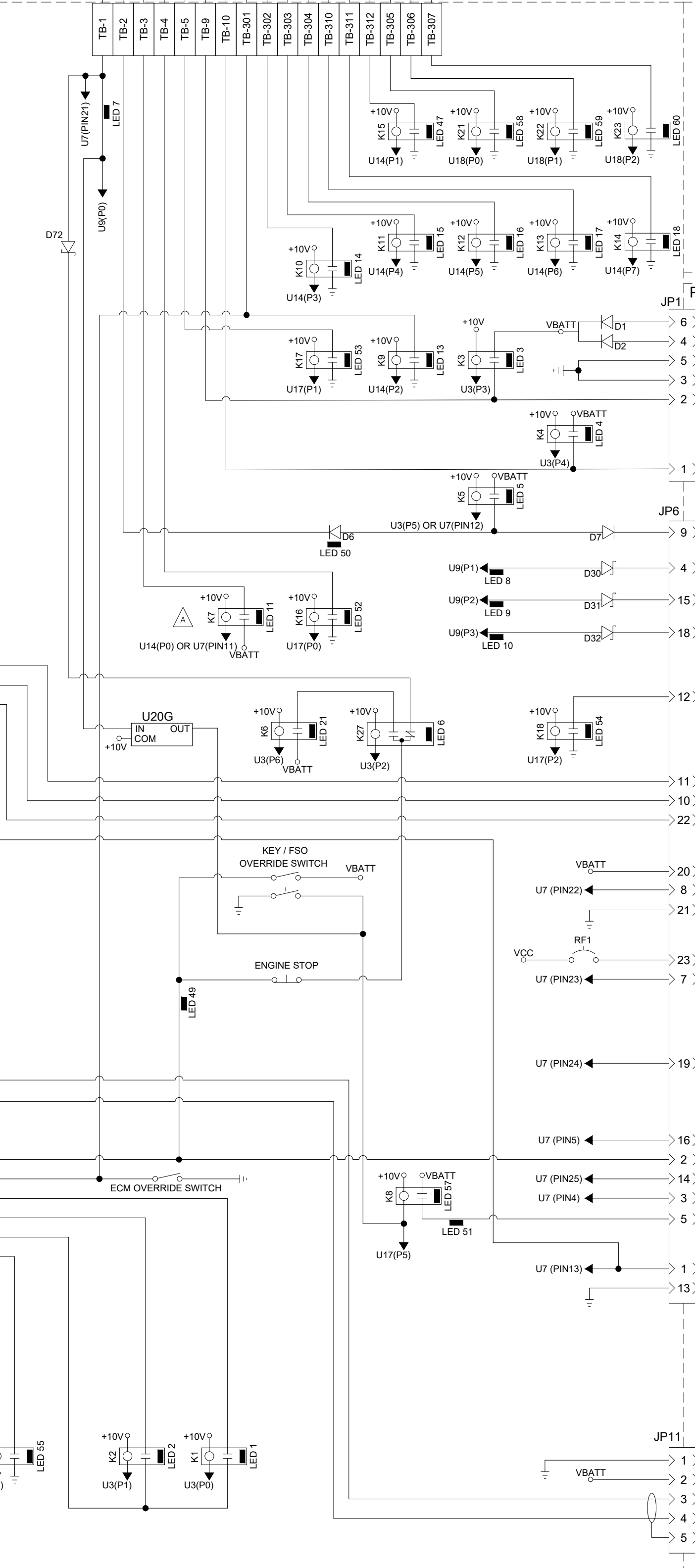
P/N A042G195 DISPLAY BOARD



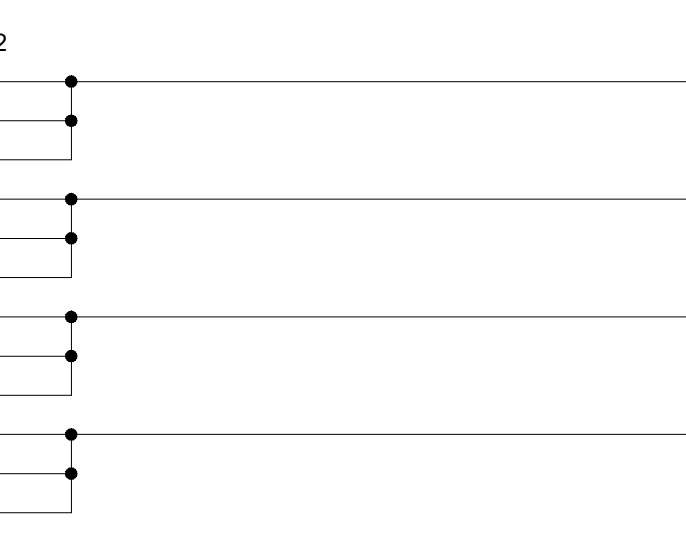
****SEE SHEETS 2 & 3 FOR REMAINDER OF ECM SWITCH BOARD SCHEMATIC****



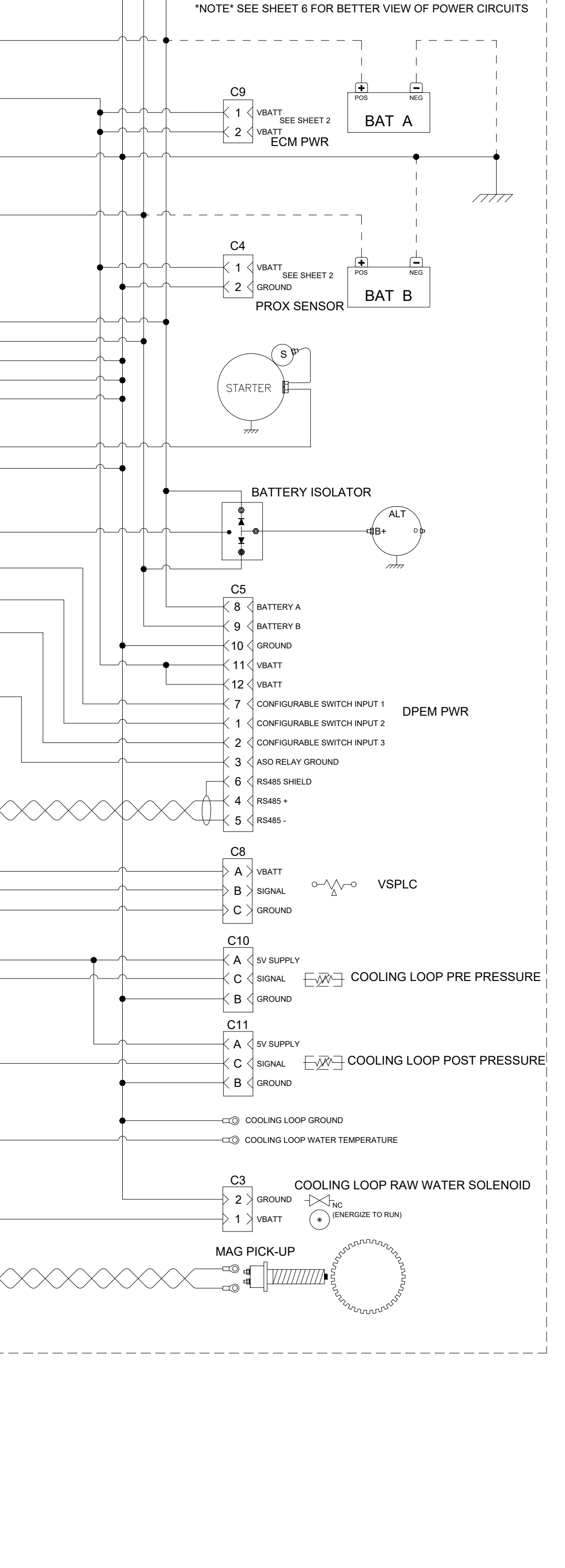
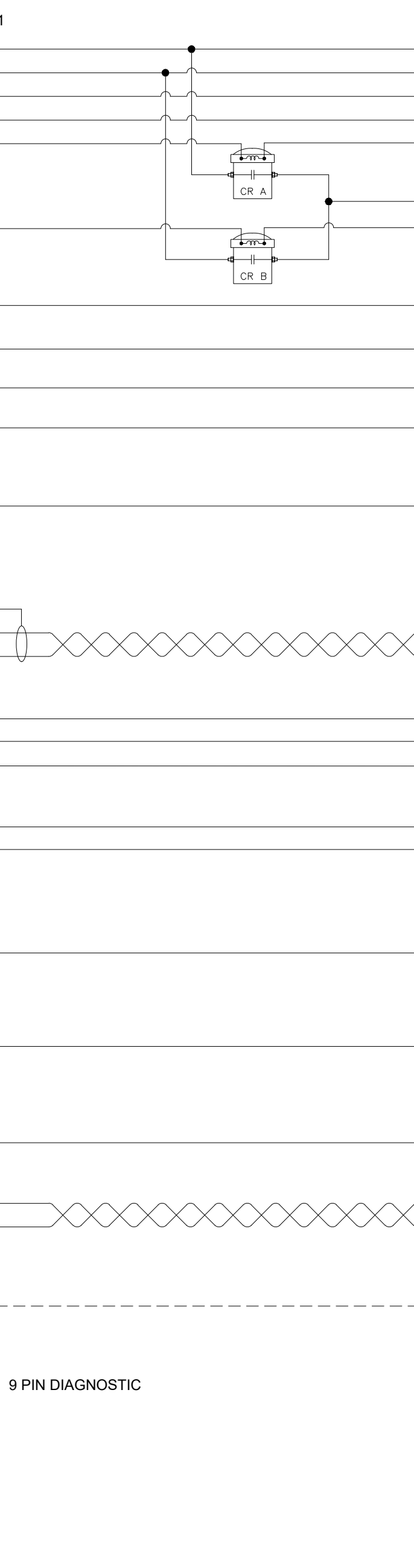
P/N A042G196 POWER BOARD



P/N 15155 ECM POWER BOARD



P/N A042J117



***NOTE* SEE SHEET 6 FOR BETTER VIEW OF POWER CIRCUITS**

UNLESS OTHERWISE SPECIFIED ALL DIMENSION TOLERANCES ARE:

ANGULAR DIMENSIONS ± 1°	IMPERIAL UNITS	METRIC UNITS
0.005	0.005	0.127
0.010	0.010	0.254
0.015	0.015	0.381
0.020	0.020	0.508
0.030	0.030	0.762
0.040	0.040	1.016
0.050	0.050	1.270

THIRD ANGLE PROJECTION

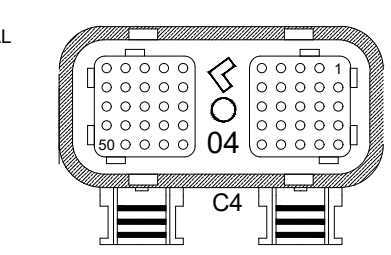
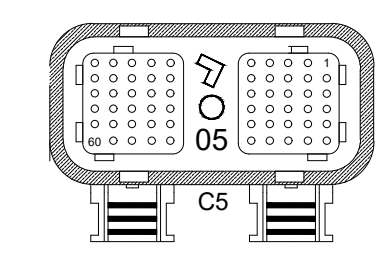
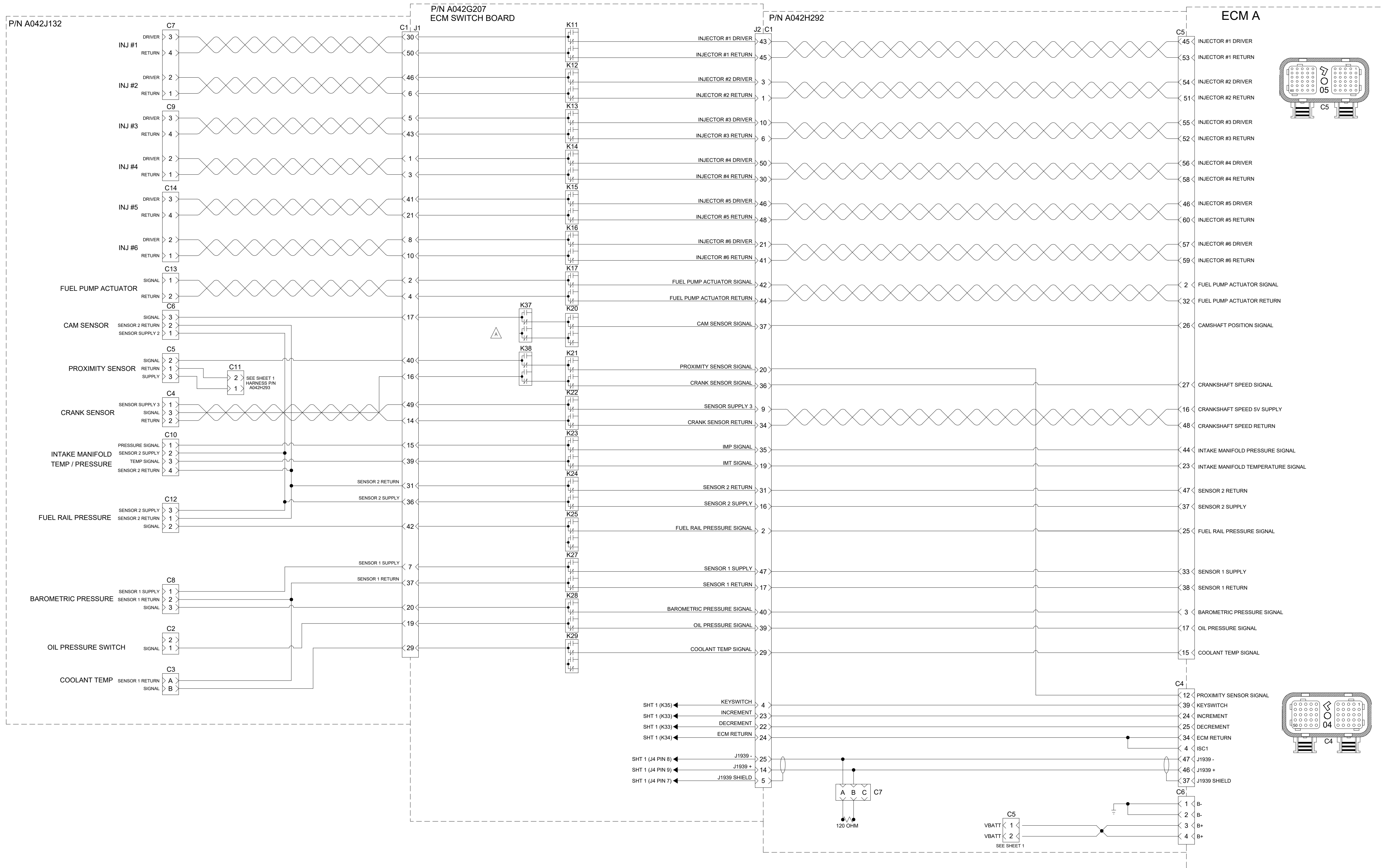
PROPERTY OF Cummins NPower LLC. This document contains confidential and trade secret information. It is the property of Cummins NPower LLC and is loaned to the receiver in confidence. The receiver, by receiving and retaining or the document, accepts the responsibility to maintain and protect this information as confidential. (1) not disclose to others either the document or its contents or trade secret information therein; (2) not copy the document; (3) not disseminate or otherwise use the document or its contents or trade secret information therein; and (4) upon termination of the loan to return the document, or copy thereof, to the document owner. All rights reserved. © 2016 Cummins NPower LLC.

SCHEMATICS, OVERALL, CFP7E
FPDP GEN II

DWG UNITS: INCH/LB/S
 SCALE: SHEET 1 OF 6
 EST WEIGHT: DRAWING NO: A042J122

DATE: 22 NOV 2016
 INIT ECO: 2016-694

A	2019-037	ADDED TB LEGEND, CORRECT SENSOR DISCONNECT CIRCURY, CORRECTED OMS SWITCH TO B+	JF	24JAN2019
REV	ECO	DESCRIPTION OF REVISION	BY	DATE



This document contains confidential and trade secret information. It is the property of Cummins NPower LLC and is loaned to the recipient in confidence. The recipient, by reviewing and retaining this document, accepts the document is confidential and agrees not to disclose it without the written consent of Cummins NPower. It will (1) not use the document or any copy thereof or the contents or trade secret information therein; (2) not copy the document; (3) not disclose to others either the document or the confidential or trade secret information therein; and (4) upon termination of the loan to return the document, if any items remain, to Cummins NPower LLC. If you have any questions, please contact Cummins NPower LLC.

Cummins NPower
 CUMMINS NPOWER LLC
 CORPORATE OFFICE
 1600 BLUEVALE ROAD
 WHITE BEAR LAKE, MN
 WWW.CUMMINSNPOWER.COM

CUSTOM DESIGN AND
 UPTI CENTER
 875 LAWRENCE DRIVE
 DEPT. 06
 WISCONSIN

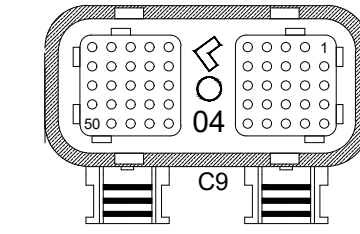
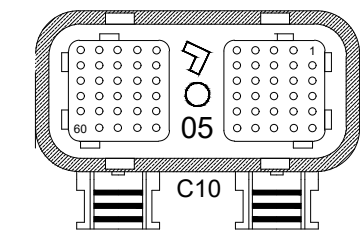
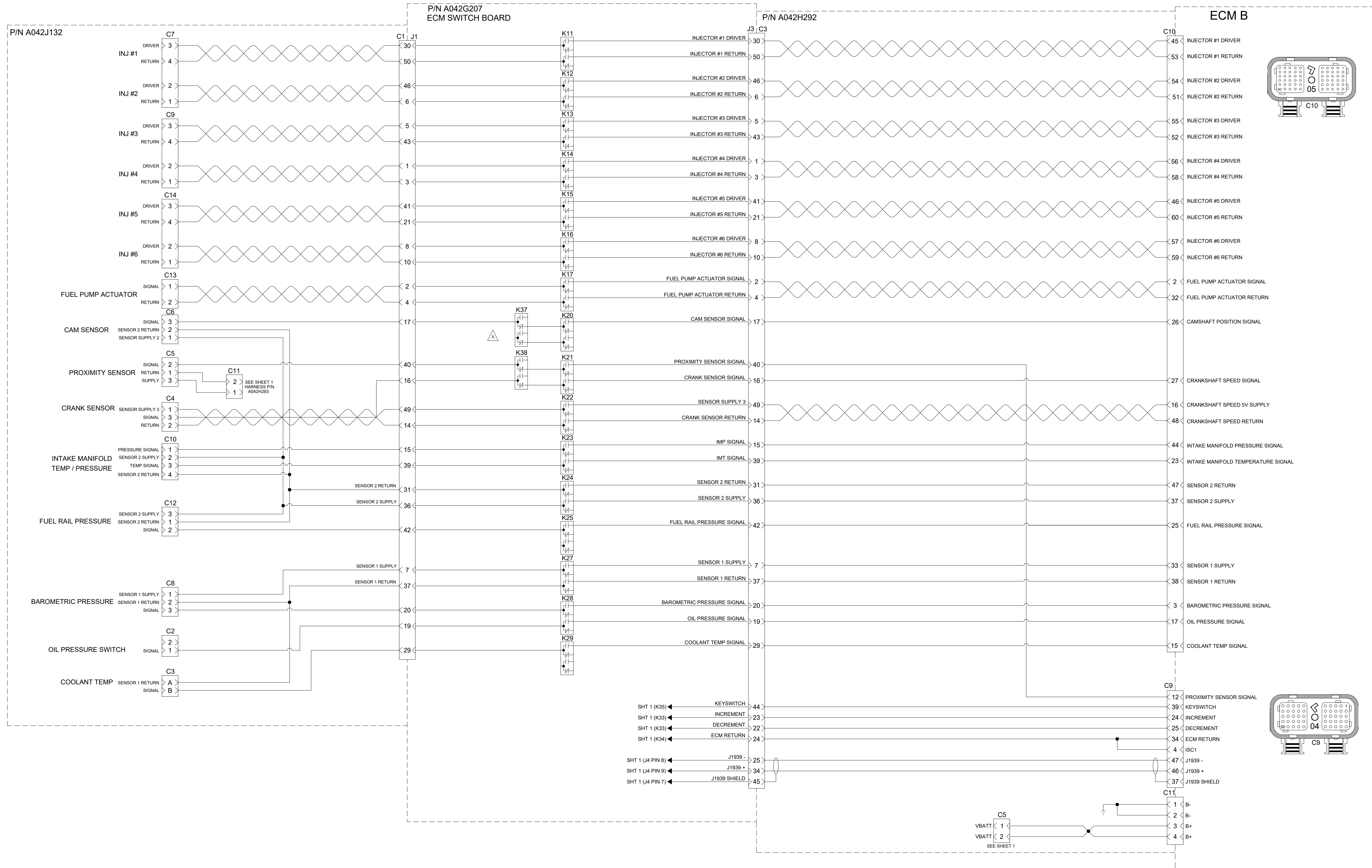
SCHMATIC, OVERALL, CFP7E
 FPDF GEN II

UNLESS OTHERWISE SPECIFIED ALL DIMENSION TOLERANCES ARE:
 ANGULAR DIMENSIONS ± 1°
 THIRD ANGLE PROJECTION
 DIMENSIONS IN INCH/LB/S
 DIMENSIONS IN METRIC UNITS

DWG UNITS: INCH/LB/S
 SCALE: AS SHOWN
 EST WEIGHT: SHEET 2 OF 6

DRAWN BY: KAK
AUTO CAD
 DATE: 22 NOV 2016
 INIT ECO: 2016-694
 DRAWING NO: A042J122

A	2019-037	SEE SHEET 1 FOR DETAILS	JF	24JAN2019
REV	ECO	DESCRIPTION OF REVISION	BY	DATE



This document contains confidential and trade secret information. It is the property of Cummins NPower LLC and is loaned to the recipient in confidence. The recipient, by receiving and retaining this document, accepts the responsibility to maintain and protect this information. It is not to be disclosed, copied, or used for any purpose other than that intended by Cummins NPower LLC. If you are not the intended recipient, you should not disseminate, distribute, or use this information. If you have received this document in error, please notify the sender immediately. If you are not the intended recipient, you should not disseminate, distribute, or use this information. If you have received this document in error, please notify the sender immediately.

UNLESS OTHERWISE SPECIFIED ALL DIMENSION TOLERANCES ARE:
 ANGULAR DIMENSIONS ± 1°
 THIRD ANGLE PROJECTION

IMPERIAL UNITS
 INCH/LB/S

METRIC UNITS
 MM/KG/M

DWG UNITS: INCH/LB/S
 SCALE: AS SHOWN
 EST WEIGHT: SHEET 3 OF 6

DRAWN BY: KAK
AUTO CAD
 DATE: 22 NOV 2016
 INIT ECO: 2016-694
 DRAWING NO: A042J122

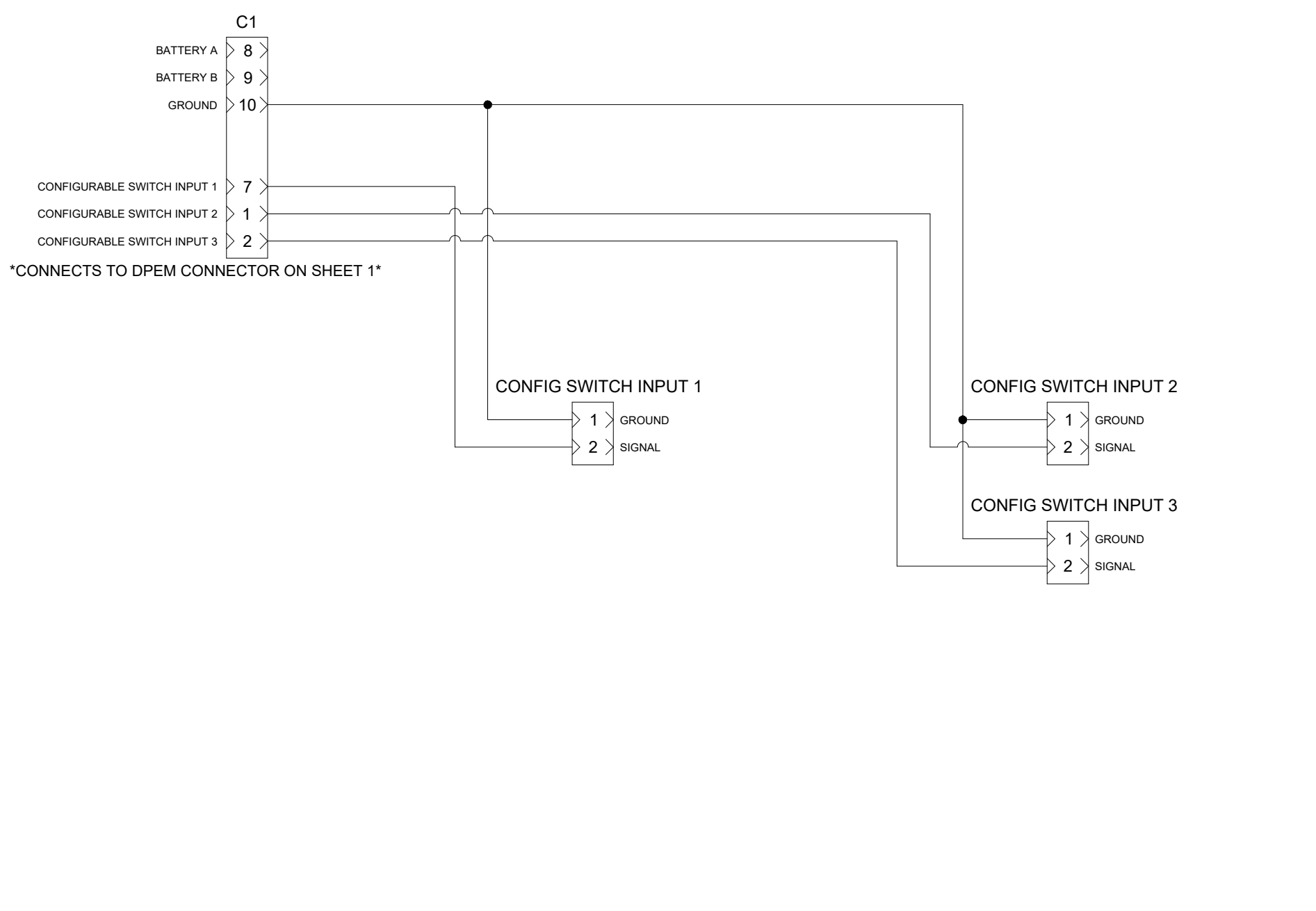
Cummins NPower
 CUMMINS NPOWER LLC
 CORPORATE OFFICE
 1600 BLUEVALE ROAD
 WHITE BEAR LAKE, MN
 WWW.CUMMINSNPOWER.COM

CUSTOM DESIGN AND
 UPTI CENTER
 875 LAWRENCE DRIVE
 DEPERE, WISCONSIN

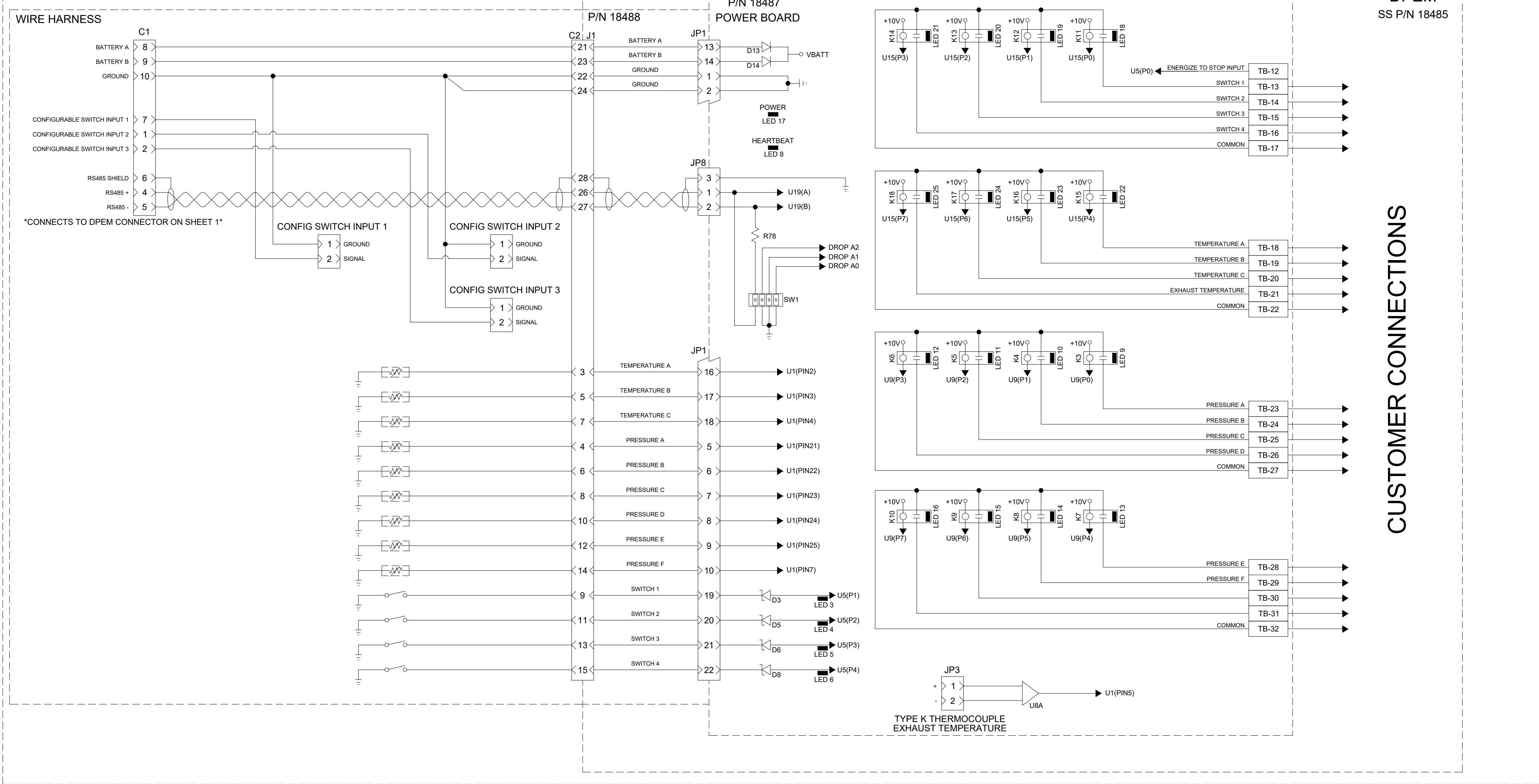
SCHMATICS, OVERALL, CFP7E
FPDP GEN II

REV	DATE	DESCRIPTION OF REVISION	BY
A	2019-037	SEE SHEET 1 FOR DETAILS	JF
REV	ECO	DESCRIPTION OF REVISION	DATE

NO ASO OPTION WITH UP TO 3 SWITCHED INPUTS



DPEM OPTION WITH NO ASO



CUSTOMER CONNECTIONS

This document contains confidential and trade secret information. It is the property of Cummins NPower LLC and is loaned to the recipient in confidence. The recipient, by receiving and retaining this document, accepts the responsibility to maintain the confidentiality of the information contained herein. (1) not to disclose the information to any third party; (2) not to copy, reproduce, or otherwise use the information for any purpose other than that for which it was provided; (3) not to disclose to others either the document or the confidential or trade secret information herein; and (4) upon completion of the use to return the document, if any items, to the originator. All rights reserved. © 2016 Cummins NPower LLC.

UNLESS OTHERWISE SPECIFIED ALL DIMENSION TOLERANCES ARE:

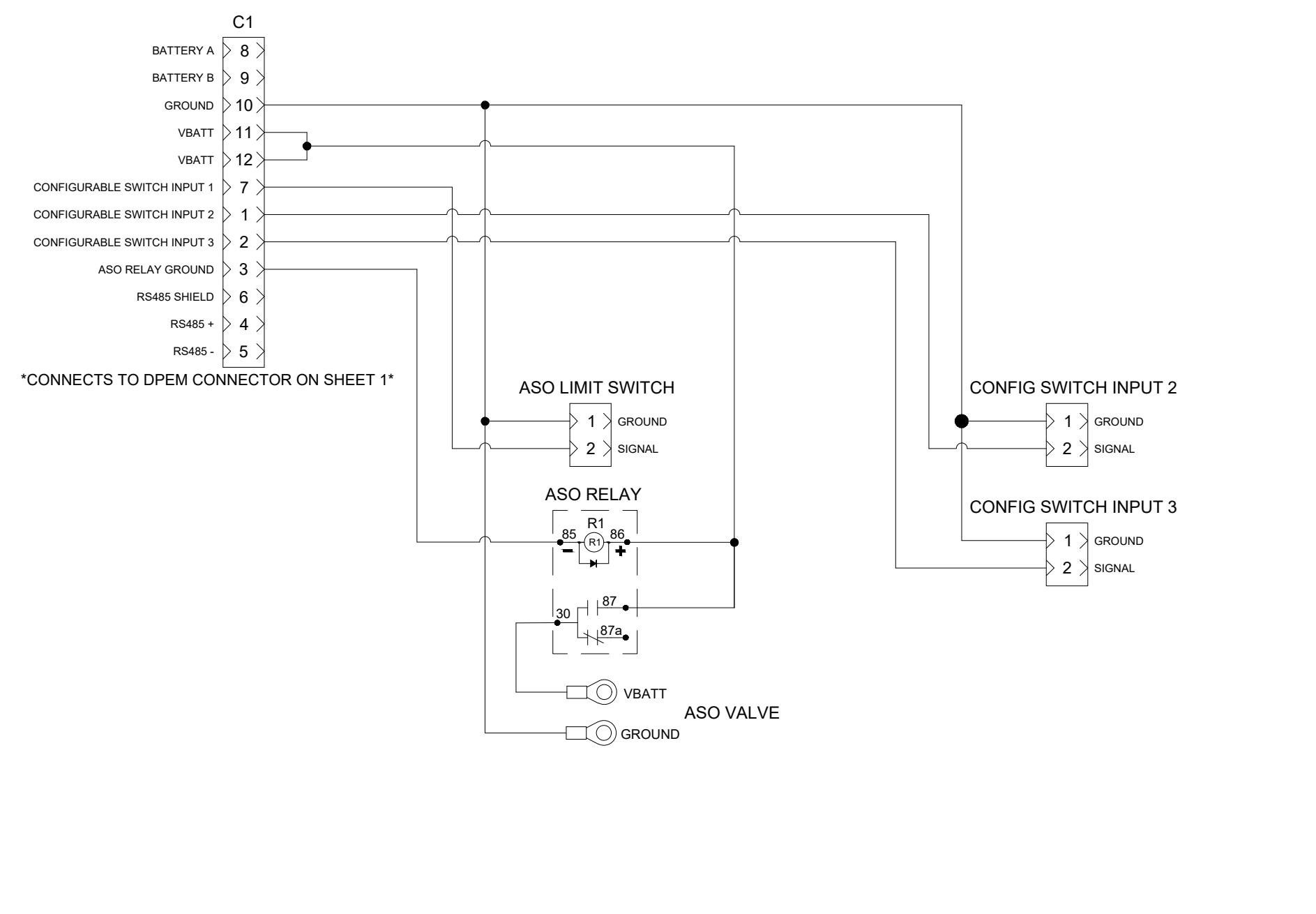
ANGULAR DIMENSIONS ± 1°	IMPERIAL UNITS	METRIC UNITS
THIRD ANGLE PROJECTION	INCH/LB/S	MM/CM
	± 0.005	± 0.125
	± 0.010	± 0.250
	± 0.020	± 0.500
	± 0.050	± 1.250

SCHEMATICS, OVERALL, CFP7E
FPDP GEN II
 DWG UNITS: INCH/LB/S
 SCALE: EST WEIGHT:
 DRAWN BY: KAK
AUTO CAD
 SHEET 4 OF 6
 DATE: 22 NOV 2016
 INIT ECO: 2016-694
 DRAWING NO: A042J122

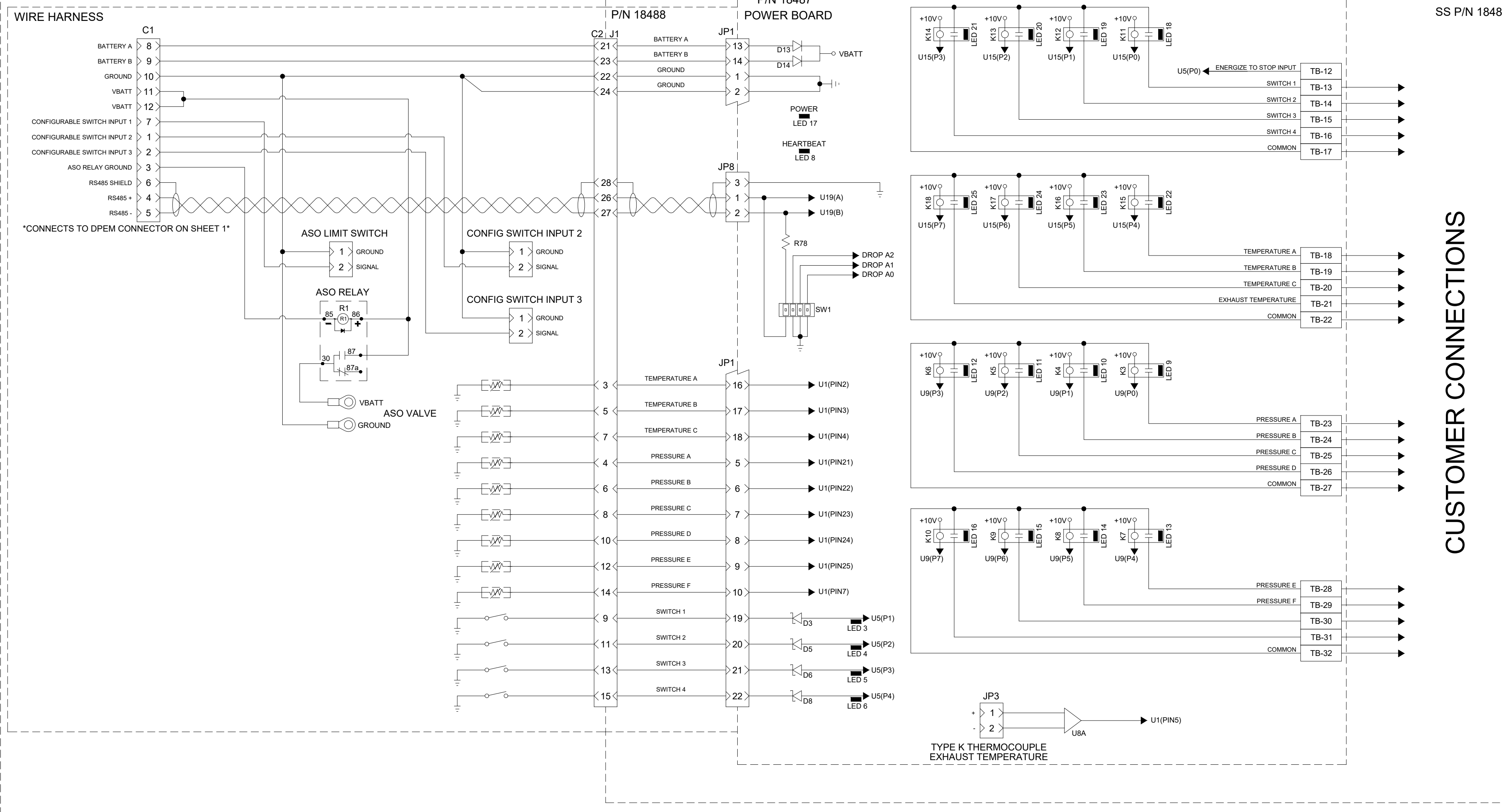
REV	DATE	DESCRIPTION OF REVISION	BY	DATE
A	2019-037	SEE SHEET 1 FOR DETAILS	JF	24/JAN/2019
REV	ECO	DESCRIPTION OF REVISION	BY	DATE

IF AIR SHUT-OFF (ASO) IS SELECTED, THE UL/FM LISTING IS REMOVED AS THIS OPTION IS NOT ALLOWED PER THE STANDARDS.

ASO OPTION WITH UP TO 2 SWITCHED INPUTS



DPEM OPTION WITH ASO



CUSTOMER CONNECTIONS

This document contains confidential and trade secret information. It is the property of Cummins NPower LLC and is loaned to the recipient in confidence. The recipient, by receiving and retaining this document, accepts the responsibility to maintain the confidentiality of the information contained herein. (1) not to disclose the information to any third party; (2) not to copy, reproduce, or otherwise use the information for any purpose other than that intended by Cummins NPower LLC; (3) not to disclose to others either the document or the confidential or trade secret information herein; and (4) upon completion of the work to return the document, if any remains, to the originator. All rights reserved. © 2016 Cummins NPower LLC.

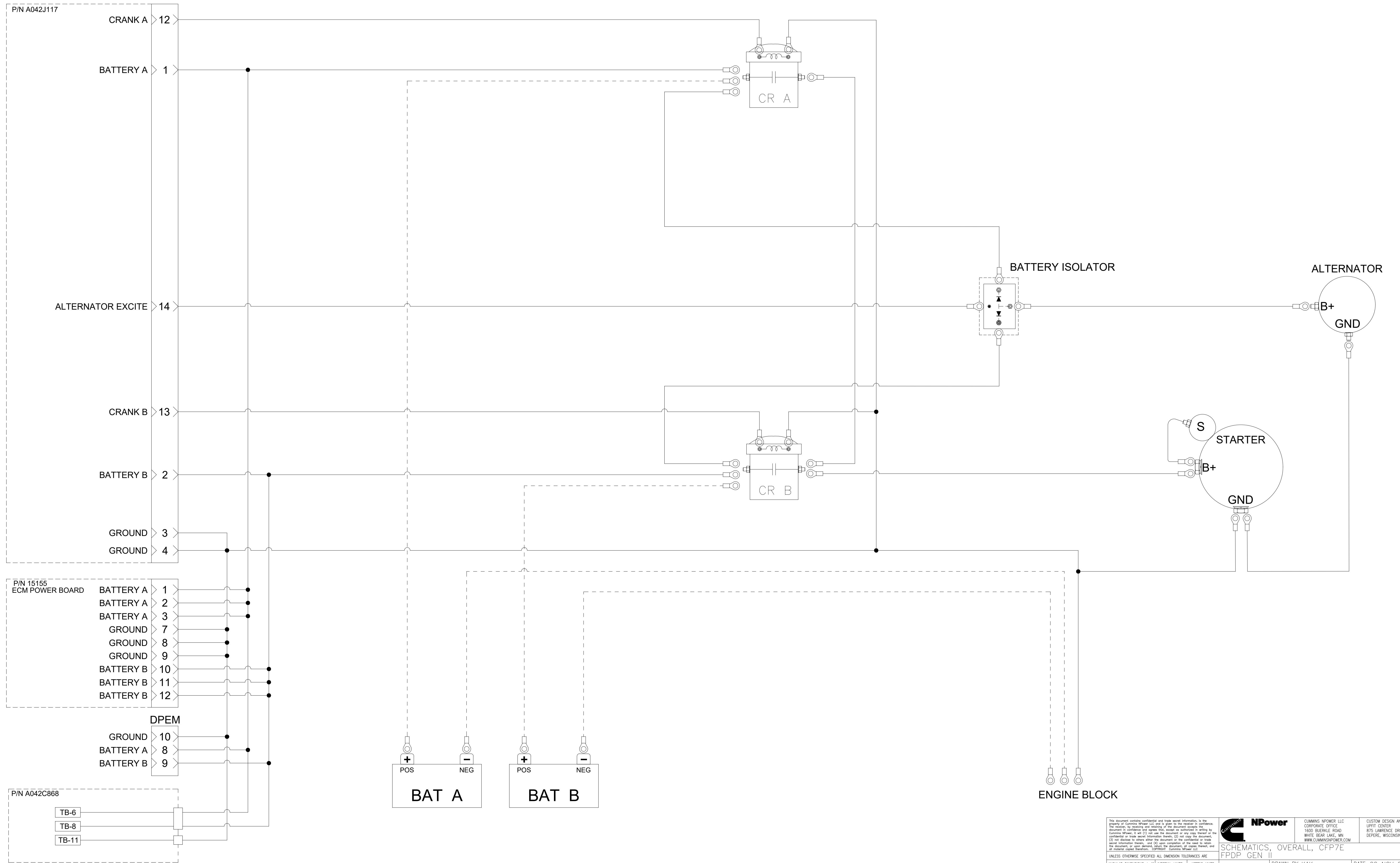
NPower
 CUMMINS NPOWER LLC
 CORPORATE OFFICE
 1600 BURNLEY ROAD
 WHITE BEAR LAKE, MN
 WWW.CUMMINSNPOWER.COM

CUSTOM DESIGN AND
 UPTI CENTER
 875 LAWRENCE DRIVE
 DEPERE, WISCONSIN

SCHEMATICS, OVERALL, CFP7E
 FPDF GEN II

ANGULAR DIMENSIONS ± 1°	IMPERIAL UNITS	METRIC UNITS	DWG UNITS:	DRAWN BY: KAK	DATE: 22 NOV 2016
THIRD ANGLE PROJECTION	INCH/LB/S	MM/CM	SCALE:	AUTO CAD	INIT ECO: 2016-694
UNLESS OTHERWISE SPECIFIED ALL DIMENSION TOLERANCES ARE:			EST WEIGHT:	SHEET 5 OF 6	DRAWING NO: A042J122

A	2019-037	SEE SHEET 1 FOR DETAILS	JF	24/JAN/2019
REV	ECO	DESCRIPTION OF REVISION	BY	DATE



This document contains confidential and trade secret information. It is the property of Cummins NPower LLC and is loaned to the recipient in confidence. The recipient, by receiving and retaining this document, accepts the responsibility to maintain and protect this information. It is not to be used, copied, or disseminated in any form without the express written consent of Cummins NPower LLC. If you are not the intended recipient, you should not disseminate, distribute, or use this information. If you have received this document in error, please notify the sender immediately by return email. This document is intended for use only by the recipient named herein. ©2016 Cummins NPower LLC. All rights reserved.

UNLESS OTHERWISE SPECIFIED ALL DIMENSION TOLERANCES ARE:

ANGULAR DIMENSIONS ± 1°	IMPERIAL UNITS	METRIC UNITS
THIRD ANGLE PROJECTION	0.005	0.125
	0.010	0.250
	0.015	0.375
	0.020	0.500
	0.030	0.750
	0.040	1.000
	0.050	1.250
	0.060	1.500
	0.070	1.750
	0.080	2.000
	0.090	2.250
	0.100	2.500

SCHEMATICS, OVERALL, CFP7E
FPDP GEN II

DWG UNITS: INCH/LB/S	DRAWN BY: KAK	DATE: 22 NOV 2016
SCALE:	AUTO CAD	INIT ECO: 2016-694
EST WEIGHT:	SHEET 6 OF 6	DRAWING NO: A042J122

Cummins NPower
 CUMMINS NPOWER LLC
 CORPORATE OFFICE
 1600 BLUEVALE ROAD
 WHITE BEAR LAKE, MN
 WWW.CUMMINSNPOWER.COM

CUSTOM DESIGN AND
 UPTIT CENTER
 875 LAWRENCE DRIVE
 DEPERE, WISCONSIN

REV	ECO	DESCRIPTION OF REVISION	BY	DATE
A	2019-037	SEE SHEET 1 FOR DETAILS	JF	24JAN2019