

This document contains confidential and trade secret information in the property of Cummins NPower LLC and is given to the receiver in confidence. The receiver by receiving and retaining of this document accepts the responsibility to maintain the confidentiality of the information. If the receiver discloses or uses the information in any way other than as intended by Cummins NPower, it will (1) not use the document or any copy thereof or the contents or trade secret information therein; (2) not use the document, the information or trade secret information therein; and (3) take appropriate steps to return the document, if any, and delete all copies of the document, and all materials copied therefrom. ©2016 Cummins NPower LLC

UNLESS OTHERWISE SPECIFIED ALL DIMENSION TOLERANCES ARE:

ANGULAR DIMENSIONS ± 1°	IMPERIAL UNITS	METRIC UNITS
0.0005	0.0005	0.0127
0.0010	0.0010	0.0254
0.0015	0.0015	0.0381
0.0020	0.0020	0.0508
0.0030	0.0030	0.0762
0.0040	0.0040	0.1016
0.0050	0.0050	0.1270

THIRD ANGLE PROJECTION

SCHEMATICS, OVERALL, CFP9E

FPDP GEN II

DWG UNITS: INCH/LB/S
SCALE: EST WEIGHT:

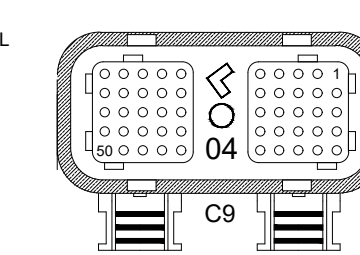
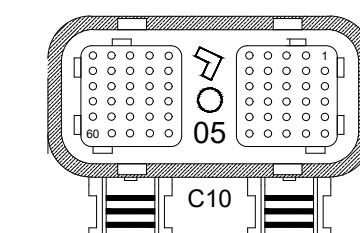
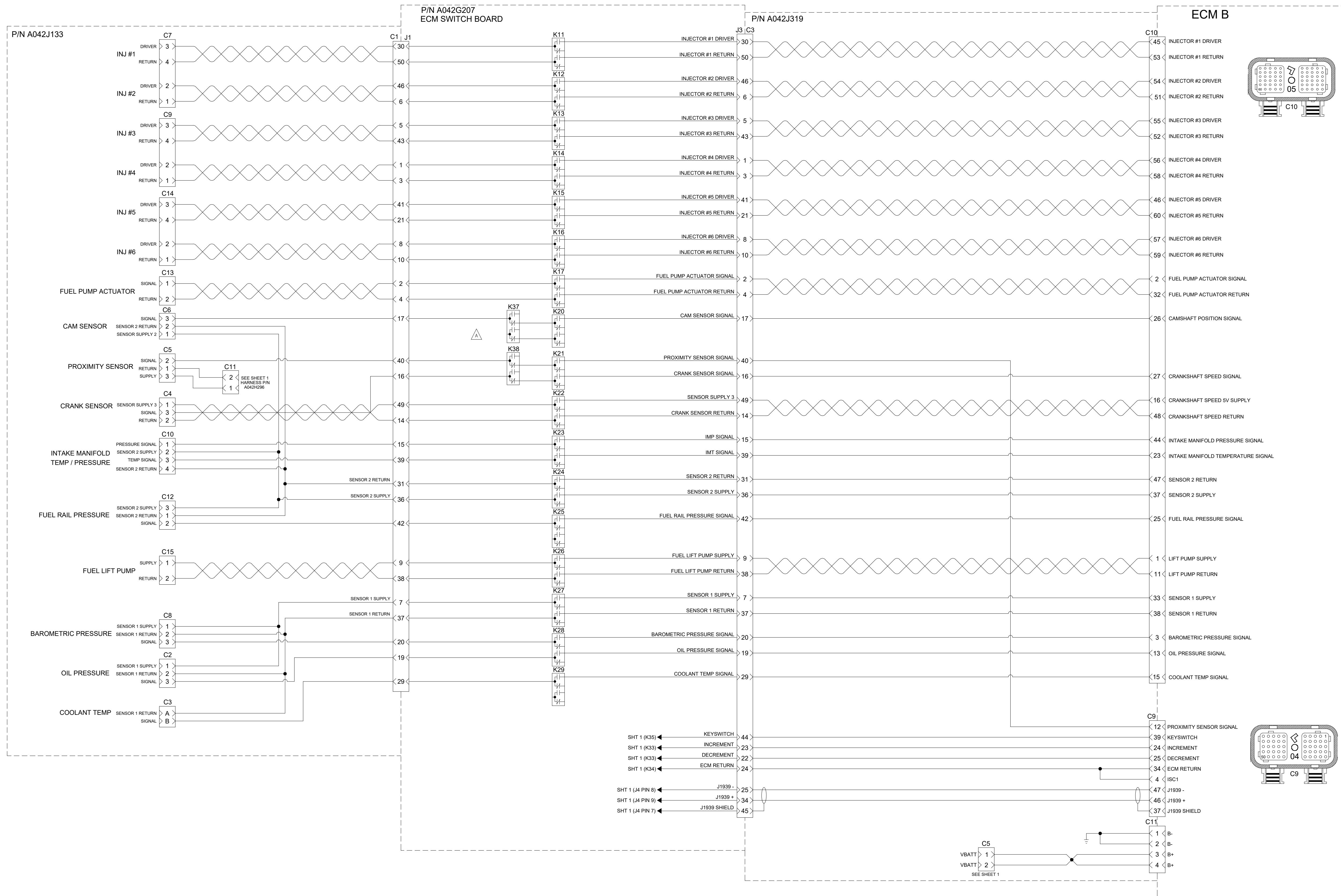
DRAWN BY: KAK
AUTO CAD
SHEET 2 OF 6
DRAWING NO: A042J123

DATE: 22 NOV 2016
INIT ECO: 2016-694

A	2019-037	SEE SHEET 1 FOR DETAILS	JF	24/JAN/2019
REV	ECO	DESCRIPTION OF REVISION	BY	DATE

CUMMINS NPower LLC
CORPORATE OFFICE
1600 BURNLEY ROAD
WHITE BEAR LAKE, MN
WWW.CUMMINSNPOWER.COM

CUSTOM DESIGN AND
UPFIT CENTER
875 LAWRENCE DRIVE
DEPUE, WISCONSIN



This document contains confidential and trade secret information. It is the property of Cummins NPower LLC and is loaned to the recipient in confidence. The recipient, by reviewing and retaining or the document, accepts the document is confidential and agrees not to disclose it to any third party. (1) not disclose to others either the document or the confidential or trade secret information therein, and (2) any reproduction of the document by the recipient, or any derivative, shall be subject to the same terms and conditions as the original document. ©2016 Cummins NPower LLC.

CUMMINS NPower
CORPORATE OFFICE
1600 BURNLEY ROAD
WHITE BEAR LAKE, WI
WWW.CUMMINSPOWER.COM

CUSTOM DESIGN AND
UPFIT CENTER
875 LAWRENCE DRIVE
DEPUE, WISCONSIN

SCHMATIC, OVERALL, CFP9E
FPDP GEN II

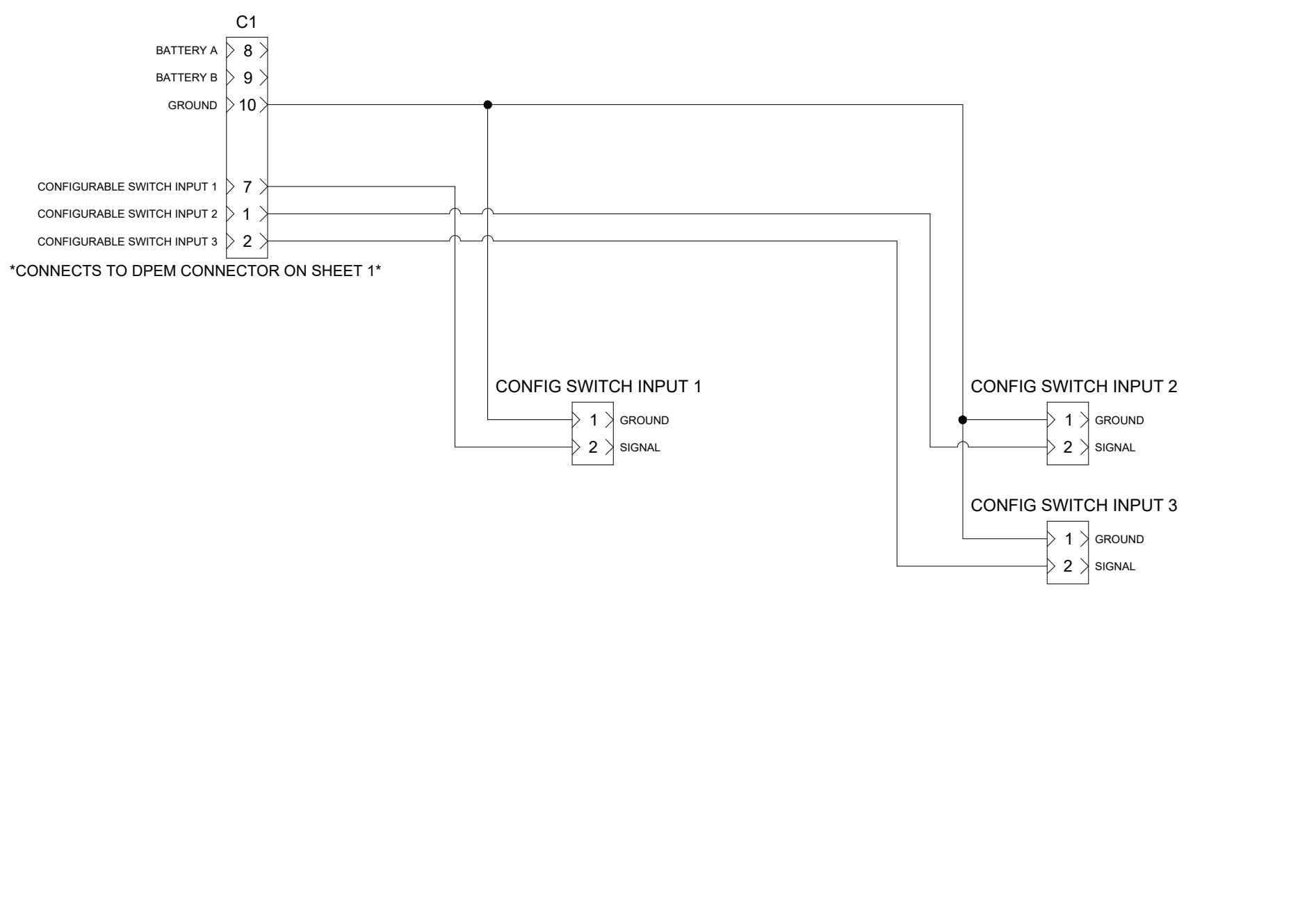
UNLESS OTHERWISE SPECIFIED ALL DIMENSION TOLERANCES ARE:
ANGULAR DIMENSIONS ± 1°
THIRD ANGLE PROJECTION

IMPERIAL UNITS	METRIC UNITS
DWG UNITS: INCH/LB/S	DWG UNITS: METRIC
SCALE: AUTO CAD	SCALE: METRIC
EST WEIGHT:	EST WEIGHT:

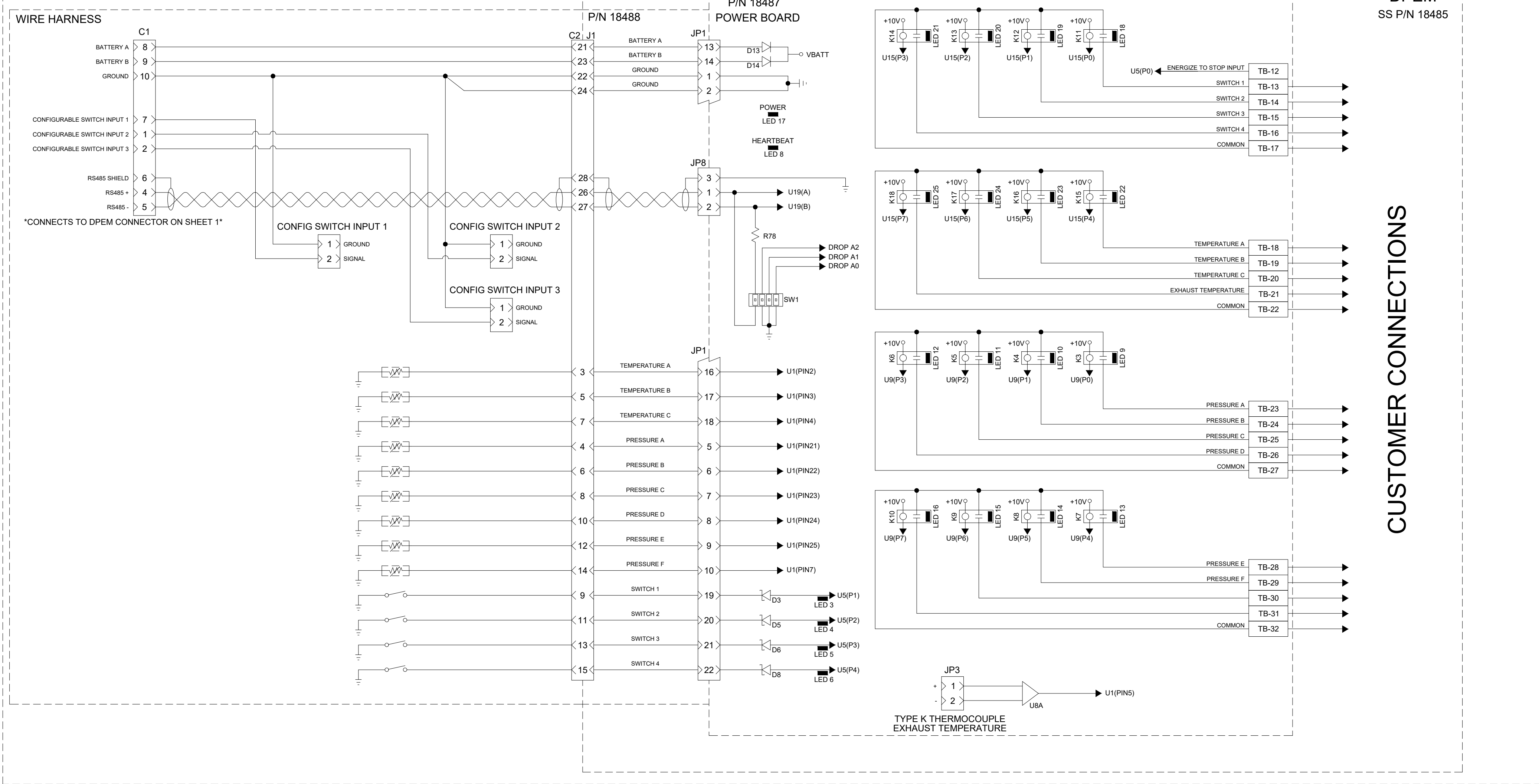
A	2019-037	SEE SHEET 1 FOR DETAILS	JF	24/JAN/2019
REV	ECO	DESCRIPTION OF REVISION	BY	DATE

DATE: 22 NOV 2016
INIT ECO: 2016-694
DRAWING NO: A042J123
SHEET 3 OF 6

NO ASO OPTION WITH UP TO 3 SWITCHED INPUTS



DPEM OPTION WITH NO ASO

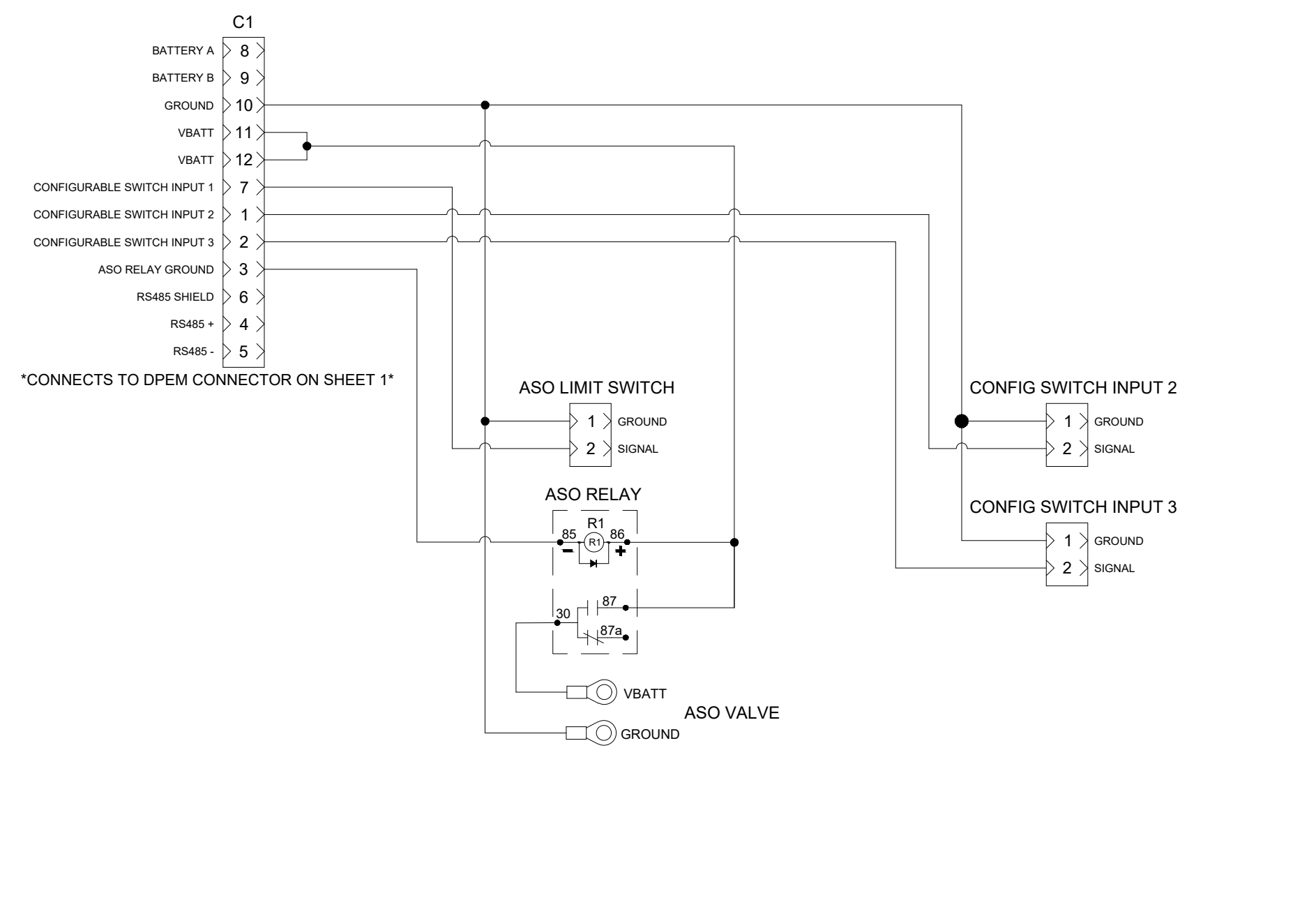


CUSTOMER CONNECTIONS

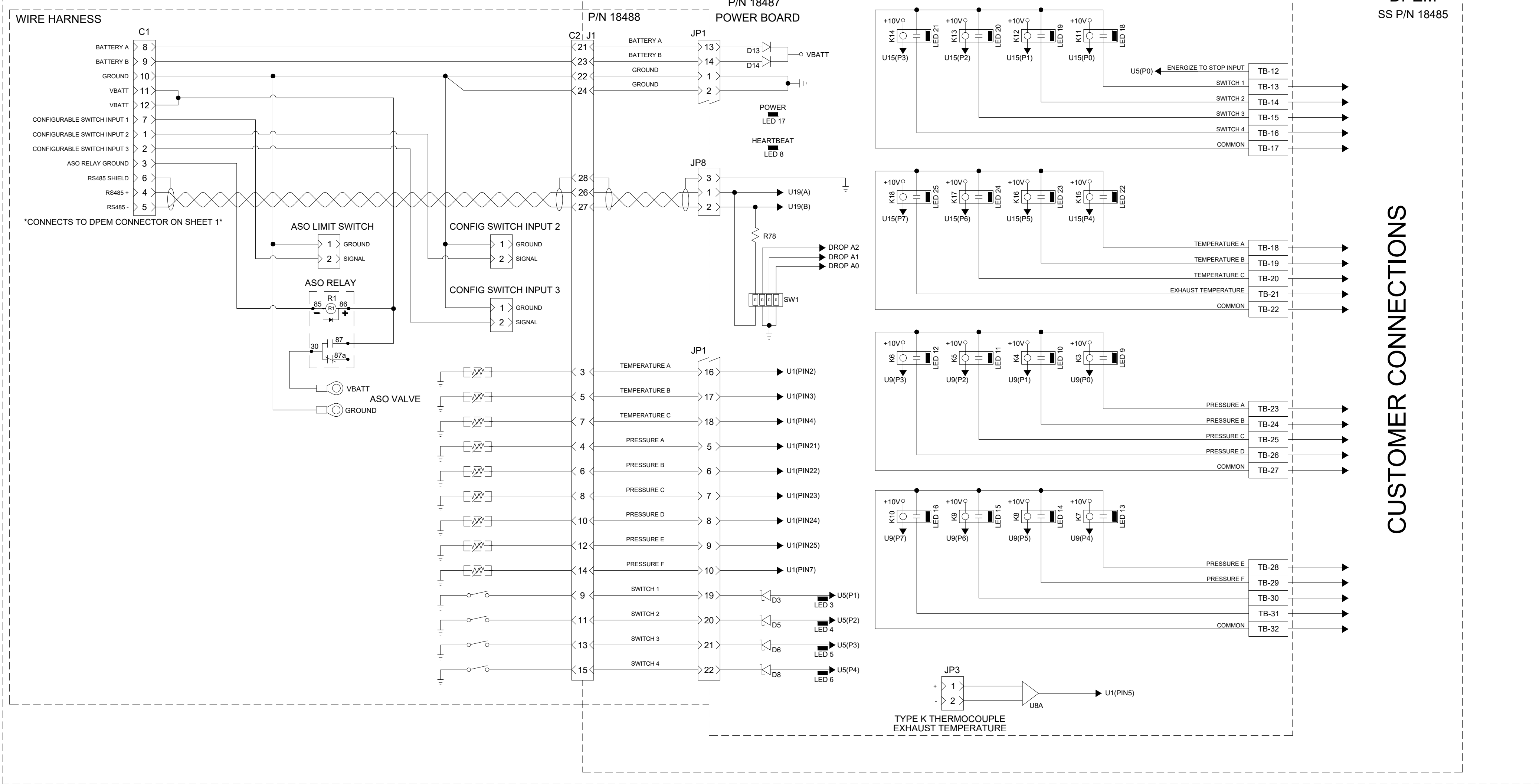
<small>This document contains confidential and trade secret information. It is the property of Cummins NPower LLC and is given to the recipient in confidence. The recipient by receiving and retaining of this document accepts the responsibility to maintain and protect this information as confidential. It is not to be disclosed, copied, or otherwise made available to any third party without the prior written consent of Cummins NPower LLC. (1) not use the document or any copy thereof or the contents or trade secret information therein; (2) not copy the document; (3) not disclose to others either the document or the confidential or trade secret information therein; and (4) use the document only for the purpose for which it was provided. If you cannot comply with these terms, you must return the document to the sender. ©2016 Cummins NPower LLC.</small>			CUMMINS NPOWER LLC CORPORATE OFFICE 1600 BLUEVALE ROAD WHITE BEAR LAKE, MN WWW.CUMMINSNPOWER.COM	CUSTOM DESIGN AND UPTI CENTER 875 LAWRENCE DRIVE DEPERE, WISCONSIN	
UNLESS OTHERWISE SPECIFIED ALL DIMENSION TOLERANCES ARE:					
ANGULAR DIMENSIONS ± 1°		IMPERIAL UNITS	METRIC UNITS	DWG UNITS: INCH/LB/S	
THIRD ANGLE PROJECTION		DIMENSIONS: 1/16, 1/8, 3/16, 1/4, 3/8, 1/2, 5/8, 3/4, 7/8, 1, 1 1/8, 1 1/4, 1 1/2, 1 3/4, 2, 2 1/4, 2 1/2, 3, 3 1/4, 3 1/2, 4, 4 1/4, 4 1/2, 5, 5 1/4, 5 1/2, 6, 6 1/4, 6 1/2, 7, 7 1/4, 7 1/2, 8, 8 1/4, 8 1/2, 9, 9 1/4, 9 1/2, 10, 10 1/4, 10 1/2, 11, 11 1/4, 11 1/2, 12, 12 1/4, 12 1/2, 13, 13 1/4, 13 1/2, 14, 14 1/4, 14 1/2, 15, 15 1/4, 15 1/2, 16, 16 1/4, 16 1/2, 17, 17 1/4, 17 1/2, 18, 18 1/4, 18 1/2, 19, 19 1/4, 19 1/2, 20, 20 1/4, 20 1/2, 21, 21 1/4, 21 1/2, 22, 22 1/4, 22 1/2, 23, 23 1/4, 23 1/2, 24, 24 1/4, 24 1/2, 25, 25 1/4, 25 1/2, 26, 26 1/4, 26 1/2, 27, 27 1/4, 27 1/2, 28, 28 1/4, 28 1/2, 29, 29 1/4, 29 1/2, 30, 30 1/4, 30 1/2, 31, 31 1/4, 31 1/2, 32, 32 1/4, 32 1/2, 33, 33 1/4, 33 1/2, 34, 34 1/4, 34 1/2, 35, 35 1/4, 35 1/2, 36, 36 1/4, 36 1/2, 37, 37 1/4, 37 1/2, 38, 38 1/4, 38 1/2, 39, 39 1/4, 39 1/2, 40, 40 1/4, 40 1/2, 41, 41 1/4, 41 1/2, 42, 42 1/4, 42 1/2, 43, 43 1/4, 43 1/2, 44, 44 1/4, 44 1/2, 45, 45 1/4, 45 1/2, 46, 46 1/4, 46 1/2, 47, 47 1/4, 47 1/2, 48, 48 1/4, 48 1/2, 49, 49 1/4, 49 1/2, 50, 50 1/4, 50 1/2, 51, 51 1/4, 51 1/2, 52, 52 1/4, 52 1/2, 53, 53 1/4, 53 1/2, 54, 54 1/4, 54 1/2, 55, 55 1/4, 55 1/2, 56, 56 1/4, 56 1/2, 57, 57 1/4, 57 1/2, 58, 58 1/4, 58 1/2, 59, 59 1/4, 59 1/2, 60, 60 1/4, 60 1/2, 61, 61 1/4, 61 1/2, 62, 62 1/4, 62 1/2, 63, 63 1/4, 63 1/2, 64, 64 1/4, 64 1/2, 65, 65 1/4, 65 1/2, 66, 66 1/4, 66 1/2, 67, 67 1/4, 67 1/2, 68, 68 1/4, 68 1/2, 69, 69 1/4, 69 1/2, 70, 70 1/4, 70 1/2, 71, 71 1/4, 71 1/2, 72, 72 1/4, 72 1/2, 73, 73 1/4, 73 1/2, 74, 74 1/4, 74 1/2, 75, 75 1/4, 75 1/2, 76, 76 1/4, 76 1/2, 77, 77 1/4, 77 1/2, 78, 78 1/4, 78 1/2, 79, 79 1/4, 79 1/2, 80, 80 1/4, 80 1/2, 81, 81 1/4, 81 1/2, 82, 82 1/4, 82 1/2, 83, 83 1/4, 83 1/2, 84, 84 1/4, 84 1/2, 85, 85 1/4, 85 1/2, 86, 86 1/4, 86 1/2, 87, 87 1/4, 87 1/2, 88, 88 1/4, 88 1/2, 89, 89 1/4, 89 1/2, 90, 90 1/4, 90 1/2, 91, 91 1/4, 91 1/2, 92, 92 1/4, 92 1/2, 93, 93 1/4, 93 1/2, 94, 94 1/4, 94 1/2, 95, 95 1/4, 95 1/2, 96, 96 1/4, 96 1/2, 97, 97 1/4, 97 1/2, 98, 98 1/4, 98 1/2, 99, 99 1/4, 99 1/2, 100, 100 1/4, 100 1/2, 101, 101 1/4, 101 1/2, 102, 102 1/4, 102 1/2, 103, 103 1/4, 103 1/2, 104, 104 1/4, 104 1/2, 105, 105 1/4, 105 1/2, 106, 106 1/4, 106 1/2, 107, 107 1/4, 107 1/2, 108, 108 1/4, 108 1/2, 109, 109 1/4, 109 1/2, 110, 110 1/4, 110 1/2, 111, 111 1/4, 111 1/2, 112, 112 1/4, 112 1/2, 113, 113 1/4, 113 1/2, 114, 114 1/4, 114 1/2, 115, 115 1/4, 115 1/2, 116, 116 1/4, 116 1/2, 117, 117 1/4, 117 1/2, 118, 118 1/4, 118 1/2, 119, 119 1/4, 119 1/2, 120, 120 1/4, 120 1/2, 121, 121 1/4, 121 1/2, 122, 122 1/4, 122 1/2, 123, 123 1/4, 123 1/2, 124, 124 1/4, 124 1/2, 125, 125 1/4, 125 1/2, 126, 126 1/4, 126 1/2, 127, 127 1/4, 127 1/2, 128, 128 1/4, 128 1/2, 129, 129 1/4, 129 1/2, 130, 130 1/4, 130 1/2, 131, 131 1/4, 131 1/2, 132, 132 1/4, 132 1/2, 133, 133 1/4, 133 1/2, 134, 134 1/4, 134 1/2, 135, 135 1/4, 135 1/2, 136, 136 1/4, 136 1/2, 137, 137 1/4, 137 1/2, 138, 138 1/4, 138 1/2, 139, 139 1/4, 139 1/2, 140, 140 1/4, 140 1/2, 141, 141 1/4, 141 1/2, 142, 142 1/4, 142 1/2, 143, 143 1/4, 143 1/2, 144, 144 1/4, 144 1/2, 145, 145 1/4, 145 1/2, 146, 146 1/4, 146 1/2, 147, 147 1/4, 147 1/2, 148, 148 1/4, 148 1/2, 149, 149 1/4, 149 1/2, 150, 150 1/4, 150 1/2, 151, 151 1/4, 151 1/2, 152, 152 1/4, 152 1/2, 153, 153 1/4, 153 1/2, 154, 154 1/4, 154 1/2, 155, 155 1/4, 155 1/2, 156, 156 1/4, 156 1/2, 157, 157 1/4, 157 1/2, 158, 158 1/4, 158 1/2, 159, 159 1/4, 159 1/2, 160, 160 1/4, 160 1/2, 161, 161 1/4, 161 1/2, 162, 162 1/4, 162 1/2, 163, 163 1/4, 163 1/2, 164, 164 1/4, 164 1/2, 165, 165 1/4, 165 1/2, 166, 166 1/4, 166 1/2, 167, 167 1/4, 167 1/2, 168, 168 1/4, 168 1/2, 169, 169 1/4, 169 1/2, 170, 170 1/4, 170 1/2, 171, 171 1/4, 171 1/2, 172, 172 1/4, 172 1/2, 173, 173 1/4, 173 1/2, 174, 174 1/4, 174 1/2, 175, 175 1/4, 175 1/2, 176, 176 1/4, 176 1/2, 177, 177 1/4, 177 1/2, 178, 178 1/4, 178 1/2, 179, 179 1/4, 179 1/2, 180, 180 1/4, 180 1/2, 181, 181 1/4, 181 1/2, 182, 182 1/4, 182 1/2, 183, 183 1/4, 183 1/2, 184, 184 1/4, 184 1/2, 185, 185 1/4, 185 1/2, 186, 186 1/4, 186 1/2, 187, 187 1/4, 187 1/2, 188, 188 1/4, 188 1/2, 189, 189 1/4, 189 1/2, 190, 190 1/4, 190 1/2, 191, 191 1/4, 191 1/2, 192, 192 1/4, 192 1/2, 193, 193 1/4, 193 1/2, 194, 194 1/4, 194 1/2, 195, 195 1/4, 195 1/2, 196, 196 1/4, 196 1/2, 197, 197 1/4, 197 1/2, 198, 198 1/4, 198 1/2, 199, 199 1/4, 199 1/2, 200, 200 1/4, 200 1/2, 201, 201 1/4, 201 1/2, 202, 202 1/4, 202 1/2, 203, 203 1/4, 203 1/2, 204, 204 1/4, 204 1/2, 205, 205 1/4, 205 1/2, 206, 206 1/4, 206 1/2, 207, 207 1/4, 207 1/2, 208, 208 1/4, 208 1/2, 209, 209 1/4, 209 1/2, 210, 210 1/4, 210 1/2, 211, 211 1/4, 211 1/2, 212, 212 1/4, 212 1/2, 213, 213 1/4, 213 1/2, 214, 214 1/4, 214 1/2, 215, 215 1/4, 215 1/2, 216, 216 1/4, 216 1/2, 217, 217 1/4, 217 1/2, 218, 218 1/4, 218 1/2, 219, 219 1/4, 219 1/2, 220, 220 1/4, 220 1/2, 221, 221 1/4, 221 1/2, 222, 222 1/4, 222 1/2, 223, 223 1/4, 223 1/2, 224, 224 1/4, 224 1/2, 225, 225 1/4, 225 1/2, 226, 226 1/4, 226 1/2, 227, 227 1/4, 227 1/2, 228, 228 1/4, 228 1/2, 229, 229 1/4, 229 1/2, 230, 230 1/4, 230 1/2, 231, 231 1/4, 231 1/2, 232, 232 1/4, 232 1/2, 233, 233 1/4, 233 1/2, 234, 234 1/4, 234 1/2, 235, 235 1/4, 235 1/2, 236, 236 1/4, 236 1/2, 237, 237 1/4, 237 1/2, 238, 238 1/4, 238 1/2, 239, 239 1/4, 239 1/2, 240, 240 1/4, 240 1/2, 241, 241 1/4, 241 1/2, 242, 242 1/4, 242 1/2, 243, 243 1/4, 243 1/2, 244, 244 1/4, 244 1/2, 245, 245 1/4, 245 1/2, 246, 246 1/4, 246 1/2, 247, 247 1/4, 247 1/2, 248, 248 1/4, 248 1/2, 249, 249 1/4, 249 1/2, 250, 250 1/4, 250 1/2, 251, 251 1/4, 251 1/2, 252, 252 1/4, 252 1/2, 253, 253 1/4, 253 1/2, 254, 254 1/4, 254 1/2, 255, 255 1/4, 255 1/2, 256, 256 1/4, 256 1/2, 257, 257 1/4, 257 1/2, 258, 258 1/4, 258 1/2, 259, 259 1/4, 259 1/2, 260, 260 1/4, 260 1/2, 261, 261 1/4, 261 1/2, 262, 262 1/4, 262 1/2, 263, 263 1/4, 263 1/2, 264, 264 1/4, 264 1/2, 265, 265 1/4, 265 1/2, 266, 266 1/4, 266 1/2, 267, 267 1/4, 267 1/2, 268, 268 1/4, 268 1/2, 269, 269 1/4, 269 1/2, 270, 270 1/4, 270 1/2, 271, 271 1/4, 271 1/2, 272, 272 1/4, 272 1/2, 273, 273 1/4, 273 1/2, 274, 274 1/4, 274 1/2, 275, 275 1/4, 275 1/2, 276, 276 1/4, 276 1/2, 277, 277 1/4, 277 1/2, 278, 278 1/4, 278 1/2, 279, 279 1/4, 279 1/2, 280, 280 1/4, 280 1/2, 281, 281 1/4, 281 1/2, 282, 282 1/4, 282 1/2, 283, 283 1/4, 283 1/2, 284, 284 1/4, 284 1/2, 285, 285 1/4, 285 1/2, 286, 286 1/4, 286 1/2, 287, 287 1/4, 287 1/2, 288, 288 1/4, 288 1/2, 289, 289 1/4, 289 1/2, 290, 290 1/4, 290 1/2, 291, 291 1/4, 291 1/2, 292, 292 1/4, 292 1/2, 293, 293 1/4, 293 1/2, 294, 294 1/4, 294 1/2, 295, 295 1/4, 295 1/2, 296, 296 1/4, 296 1/2, 297, 297 1/4, 297 1/2, 298, 298 1/4, 298 1/2, 299, 299 1/4, 299 1/2, 300, 300 1/4, 300 1/2, 301, 301 1/4, 301 1/2, 302, 302 1/4, 302 1/2, 303, 303 1/4, 303 1/2, 304, 304 1/4, 304 1/2, 305, 305 1/4, 305 1/2, 306, 306 1/4, 306 1/2, 307, 307 1/4, 307 1/2, 308, 308 1/4, 308 1/2, 309, 309 1/4, 309 1/2, 310, 310 1/4, 310 1/2, 311, 311 1/4, 311 1/2, 312, 312 1/4, 312 1/2, 313, 313 1/4, 313 1/2, 314, 314 1/4, 314 1/2, 315, 315 1/4, 315 1/2, 316, 316 1/4, 316 1/2, 317, 317 1/4, 317 1/2, 318, 318 1/4, 318 1/2, 319, 319 1/4, 319 1/2, 320, 320 1/4, 320 1/2, 321, 321 1/4, 321 1/2, 322, 322 1/4, 322 1/2, 323, 323 1/4, 323 1/2, 324, 324 1/4, 324 1/2, 325, 325 1/4, 325 1/2, 326, 326 1/4, 326 1/2, 327, 327 1/4, 327 1/2, 328, 328 1/4, 328 1/2, 329, 329 1/4, 329 1/2, 330, 330 1/4, 330 1/2, 331, 331 1/4, 331 1/2, 332, 332 1/4, 332 1/2, 333, 333 1/4, 333 1/2, 334, 334 1/4, 334 1/2, 335, 335 1/4, 335 1/2, 336, 336 1/4, 336 1/2, 337, 337 1/4, 337 1/2, 338, 338 1/4, 338 1/2, 339, 339 1/4, 339 1/2, 340, 340 1/4, 340 1/2, 341, 341 1/4, 341 1/2, 342, 342 1/4, 342 1/2, 343, 343 1/4, 343 1/2, 344, 344 1/4, 344 1/2, 345, 345 1/4, 345 1/2, 346, 346 1/4, 346 1/2, 347, 347 1/4, 347 1/2, 348, 348 1/4, 348 1/2, 349, 349 1/4, 349 1/2, 350, 350 1/4, 350 1/2, 351, 351 1/4, 351 1/2, 352, 352 1/4, 352 1/2, 353, 353 1/4, 353 1/2, 354, 354 1/4, 354 1/2, 355, 355 1/4, 355 1/2, 356, 356 1/4, 356 1/2, 357, 357 1/4, 357 1/2, 358, 358 1/4, 358 1/2, 359, 359 1/4, 359 1/2, 360, 360 1/4, 360 1/2, 361, 361 1/4, 361 1/2, 362, 362 1/4, 362 1/2, 363, 363 1/4, 363 1/2, 364, 364 1/4, 364 1/2, 365, 365 1/4, 365 1/2, 366, 366 1/4, 366 1/2, 367, 367 1/4, 367 1/2, 368, 368 1/4, 368 1/2, 369, 369 1/4, 369 1/2, 370, 370 1/4, 370 1/2, 371, 371 1/4, 371 1/2, 372, 372 1/4, 372 1/2, 373, 373 1/4, 373 1/2, 374, 374 1/4, 374 1/2, 375, 375 1/4, 375 1/2, 376, 376 1/4, 376 1/2, 377, 377 1/4, 377 1/2, 378, 378 1/4, 378 1/2, 379, 379 1/4, 379 1/2, 380, 380 1/4, 380 1/2, 381, 381 1/4, 381 1/2, 382, 382 1/4, 382 1/2, 383, 383 1/4, 383 1/2, 384, 384 1/4, 384 1/2, 385, 385 1/4, 385 1/2, 386, 386 1/4, 386 1/2, 387, 387 1/4, 387 1/2, 388, 388 1/4, 388 1/2, 389, 389 1/4, 389 1/2, 390, 390 1/4, 390 1/2, 391, 391 1/4, 391 1/2, 392, 392 1/4, 392 1/2, 393, 393 1/4, 393 1/2, 394, 394 1/4, 394 1/2, 395, 395 1/4, 395 1/2, 396, 396 1/4, 396 1/2, 397, 397 1/4, 397 1/2, 398, 398 1/4, 398 1/2, 399, 399 1/4, 399 1/2, 400, 400 1/4, 400 1/2, 401, 401 1/4, 401 1/2, 402, 402 1/4, 402 1/2, 403, 403 1/4, 403 1/2, 404, 404 1/4, 404 1/2, 405, 405 1/4, 405 1/2, 406, 406 1/4, 406 1/2, 407, 407 1/4, 407 1/2, 408, 408 1/4, 408 1/2, 409, 409 1/4, 409 1/2, 410, 410 1/4, 410 1/2, 411, 411 1/4, 411 1/2, 412, 412 1/4, 412 1/2, 413, 413 1/4, 413 1/2, 414, 414 1/4, 414 1/2, 415, 415 1/4, 415 1/2, 416, 416 1/4, 416 1/2, 417, 417 1/4, 417 1/2, 418, 418 1/4, 418 1/2, 419, 419 1/4, 419 1/2, 420, 420 1/4, 420 1/2, 421, 421 1/4, 421 1/2, 422, 422 1/4, 422 1/2, 423, 423 1/4, 423 1/2, 424, 424 1/4, 424 1/2, 425, 425 1/4, 425 1/2, 426, 426 1/4, 426 1/2, 427, 427 1/4, 427 1/2, 428, 428 1/4, 428 1/2, 429, 429 1/4, 429 1/2, 430, 430 1/4, 430 1/2, 431, 431 1/4, 431 1/2, 432, 432 1/4, 432 1/2, 433, 433 1/4, 433 1/2, 434, 434 1/4, 434 1/2, 435, 435 1/4, 435 1/2, 436, 436 1/4, 436 1/2, 437, 437 1/4, 437 1/2, 438, 438 1/4, 438 1/2, 439, 439 1/4, 439 1/2, 440, 440 1/4, 440 1/2, 441, 441 1/4, 441 1/2, 442, 442 1/4, 442 1/2, 443, 443 1/4, 443 1/2, 444, 444 1/4, 444 1/2, 445, 445 1/4, 445 1/2, 446, 446 1/4, 446 1/2, 447, 447 1/4, 447 1/2, 448, 448 1/4, 448 1/2, 449, 449 1/4, 449 1/2, 450, 450 1/4, 450 1/2, 451, 451 1/4, 451 1/2, 452, 452 1/4, 452 1/2, 453, 453 1/4, 453 1/2, 454, 454 1/4, 454 1/2, 455, 455 1/4, 455 1/2, 456, 456 1/4, 456 1/2, 457, 457 1/4, 457 1/2, 458, 458 1/4, 458 1/2, 459, 459 1/4, 459 1/2, 460, 460 1/4, 460 1/2, 461, 461 1/4, 461 1/2, 462, 462 1/4, 462 1/2, 463, 463 1/4, 463 1/2, 464, 464 1/4, 464 1/2, 465, 465 1/4, 465 1/2, 466, 466 1/4, 466 1/2, 467, 467 1/4, 467 1/2, 468, 468 1/4, 468 1/2, 469, 469 1/4, 469 1/2, 470, 470 1/4, 470 1/2, 471, 471 1/4, 471 1/2, 472, 472 1/4, 472 1/2, 473, 473 1/4, 473 1/2, 474, 474 1/4, 474 1/2, 475, 475 1/4, 475 1/2, 476, 476 1/4, 476 1/2, 477, 477 1/4, 477 1/2, 478, 478 1/4, 478 1/2, 479, 479 1/4, 479 1/2, 480, 480 1/4, 480 1/2, 481, 481 1/4, 481 1/2, 482, 482 1/4, 482 1/2, 483, 483 1/4, 483 1/2, 484, 484 1/4, 484 1/2, 485, 485 1/4, 485 1/2, 486, 486 1/4, 486 1/2, 487, 487 1/4, 487 1/2, 488, 488 1/4, 488 1/2, 489, 489 1/4, 489 1/2, 490, 490 1/4, 490 1/2, 491, 491 1/4, 491 1/2, 492, 492 1/4, 492 1/2, 493, 493 1/4, 493 1/2, 494, 494 1/4, 494 1/2, 495, 495 1/4, 495 1/2, 496, 496 1/4, 496 1/2, 497, 497 1/4, 497 1/2, 498, 498 1/4, 498 1/2, 499, 499 1/4, 499 1/2, 500, 500 1/4, 500 1/2, 501, 501 1/4, 501 1/2, 502, 502 1/4, 502 1/2, 503, 503 1/4, 503 1/2, 504, 504 1/4, 504 1/2, 505, 505 1/4, 505 1/2, 506,			

IF AIR SHUT-OFF (ASO) IS SELECTED, THE UL/FM LISTING IS REMOVED AS THIS OPTION IS NOT ALLOWED PER THE STANDARDS.

ASO OPTION WITH UP TO 2 SWITCHED INPUTS



DPEM OPTION WITH ASO



CUSTOMER CONNECTIONS

This document contains confidential and trade secret information. It is the property of Cummins NPower LLC and is loaned to the recipient in confidence. The recipient, by receiving and retaining this document, accepts the responsibility to maintain the confidentiality of the information contained herein. (1) not to disclose to others without the prior written consent of Cummins NPower LLC; (2) not to copy, reproduce, or otherwise use the information contained herein for any purpose other than that for which it was provided; (3) not to disclose to others without the prior written consent of Cummins NPower LLC any information that may be learned from this document, or any derivative work therefrom, or any information that may be learned from this document, or any derivative work therefrom, that is not intended to be disclosed. ©2016 Cummins NPower LLC

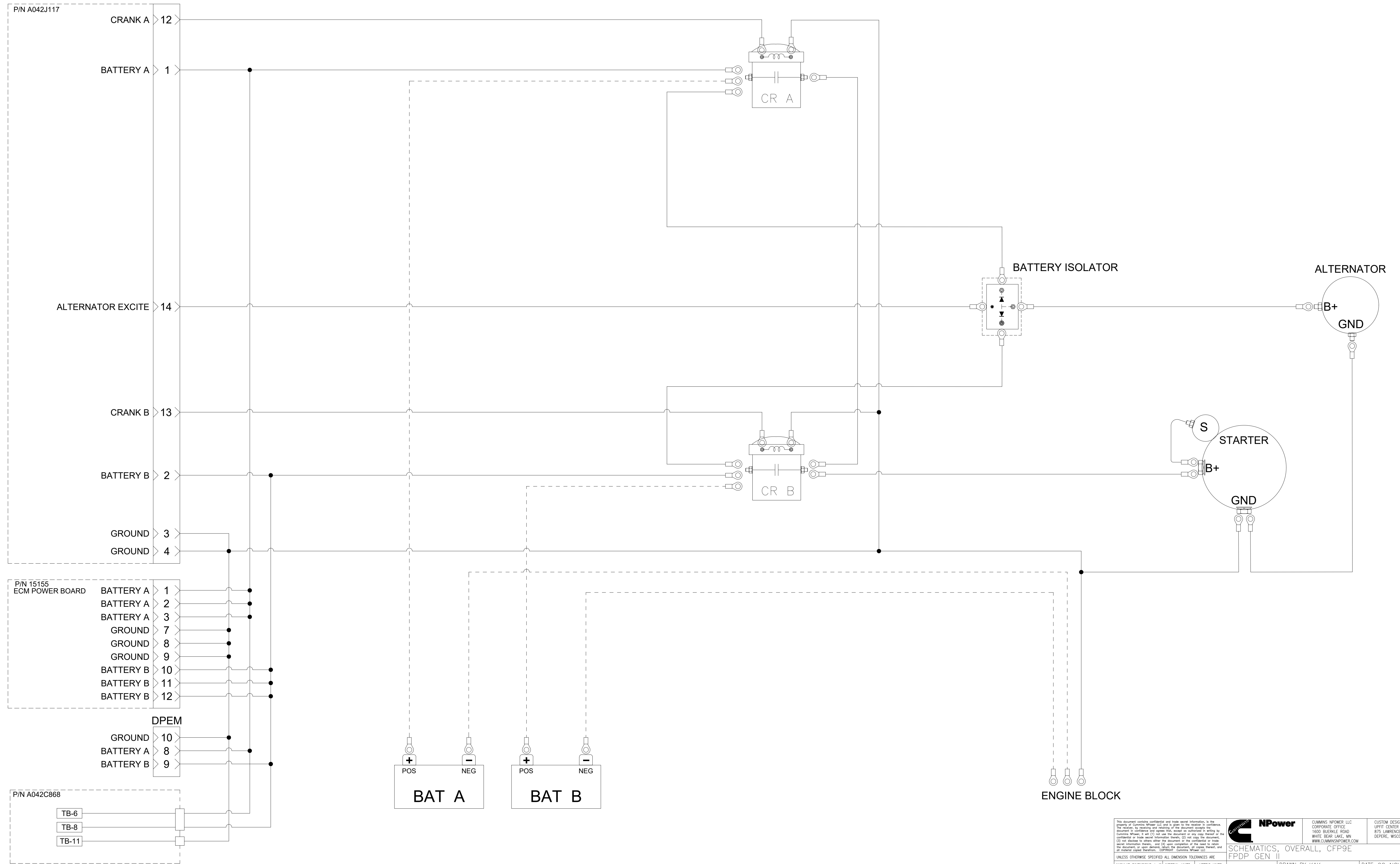
NPower
 CUMMINS NPOWER LLC
 CORPORATE OFFICE
 1600 BUEHLE ROAD
 WHITE BEAR LAKE, MN
 WWW.CUMMINSPOWER.COM

CUSTOM DESIGN AND
 UPTI CENTER
 875 LAWRENCE DRIVE
 DEPERE, WISCONSIN

SCHEMATICS, OVERALL, CFP9E
 FPDF GEN II

ANGULAR DIMENSIONS ± 1°	IMPERIAL UNITS	METRIC UNITS	DWG UNITS:	DRAWN BY: KAK	DATE: 22 NOV 2016
THIRD ANGLE PROJECTION	INCH/LB/S	MM/KG	SCALE:	AUTO CAD	INIT ECO: 2016-694
			EST WEIGHT:	SHEET 5 OF 6	DRAWING NO: A042J123

A	2019-037	SEE SHEET 1 FOR DETAILS	JF	24/JAN/2019
REV	ECO	DESCRIPTION OF REVISION	BY	DATE



This document contains confidential and trade secret information. It is the property of Cummins NPower LLC and is loaned to the receiver in confidence. The receiver, by receiving and retaining this document, accepts the responsibility to maintain the confidentiality of the information contained herein. (1) not to disclose to others without the written consent of Cummins NPower LLC; (2) not to copy, reproduce, or otherwise use the information contained herein for any purpose other than that intended by Cummins NPower LLC; (3) not to disclose to others without the written consent of Cummins NPower LLC; (4) not to use the information contained herein for any purpose other than that intended by Cummins NPower LLC; (5) not to disclose to others without the written consent of Cummins NPower LLC; (6) not to use the information contained herein for any purpose other than that intended by Cummins NPower LLC; (7) not to disclose to others without the written consent of Cummins NPower LLC; (8) not to use the information contained herein for any purpose other than that intended by Cummins NPower LLC; (9) not to disclose to others without the written consent of Cummins NPower LLC; (10) not to use the information contained herein for any purpose other than that intended by Cummins NPower LLC.

UNLESS OTHERWISE SPECIFIED ALL DIMENSION TOLERANCES ARE:

ANGULAR DIMENSIONS ± 1°	IMPERIAL UNITS	METRIC UNITS
THIRD ANGLE PROJECTION	0.005	0.125
	0.010	0.250
	0.020	0.500
	0.050	1.250
	0.100	2.500
	0.200	5.000
	0.500	12.500
	1.000	25.000
	2.000	50.000
	5.000	125.000
	10.000	250.000
	20.000	500.000
	50.000	1250.000
	100.000	2500.000
	200.000	5000.000
	500.000	12500.000
	1000.000	25000.000

SCHEMATICS, OVERALL, CFP9E
FPDP GEN II

DWG UNITS: INCH/LB/S	DRAWN BY: KAK	DATE: 22 NOV 2016
SCALE:	AUTO CAD	INIT ECO: 2016-694
EST WEIGHT:	SHEET 6 OF 6	DRAWING NO: A042J123

REV	ECO	DESCRIPTION OF REVISION	BY	DATE
A	2019-037	SEE SHEET 1 FOR DETAILS	JF	24JAN2019