

This document contains confidential and trade secret information. It is the property of Cummins NPower LLC and is loaned to the receiver in confidence. The receiver, by receiving and retaining this document, accepts the responsibility to maintain its confidentiality and to return it to Cummins NPower, LLC upon request. It is not to be used, copied, or disseminated without the written consent of Cummins NPower, LLC. If you are not an authorized recipient, you should not disseminate this information. If you are an authorized recipient, you should not disseminate this information to anyone other than those specifically authorized to receive it. If you are not an authorized recipient, you should not disseminate this information to anyone other than those specifically authorized to receive it. If you are an authorized recipient, you should not disseminate this information to anyone other than those specifically authorized to receive it.

Cummins NPower

CUMMINS NPOWER LLC
CORPORATE OFFICE
1600 BLUEVALE ROAD
WHITE STAR LANE, WI
WWW.CUMMINSPOWER.COM

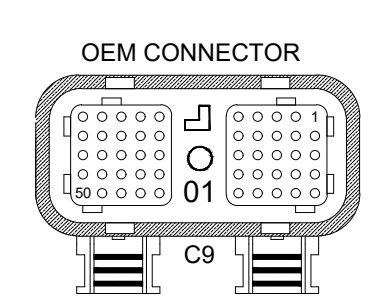
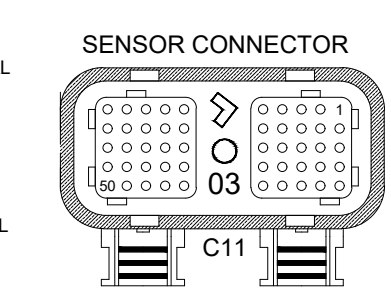
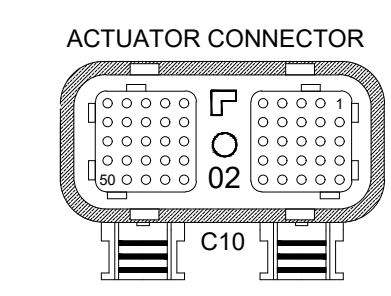
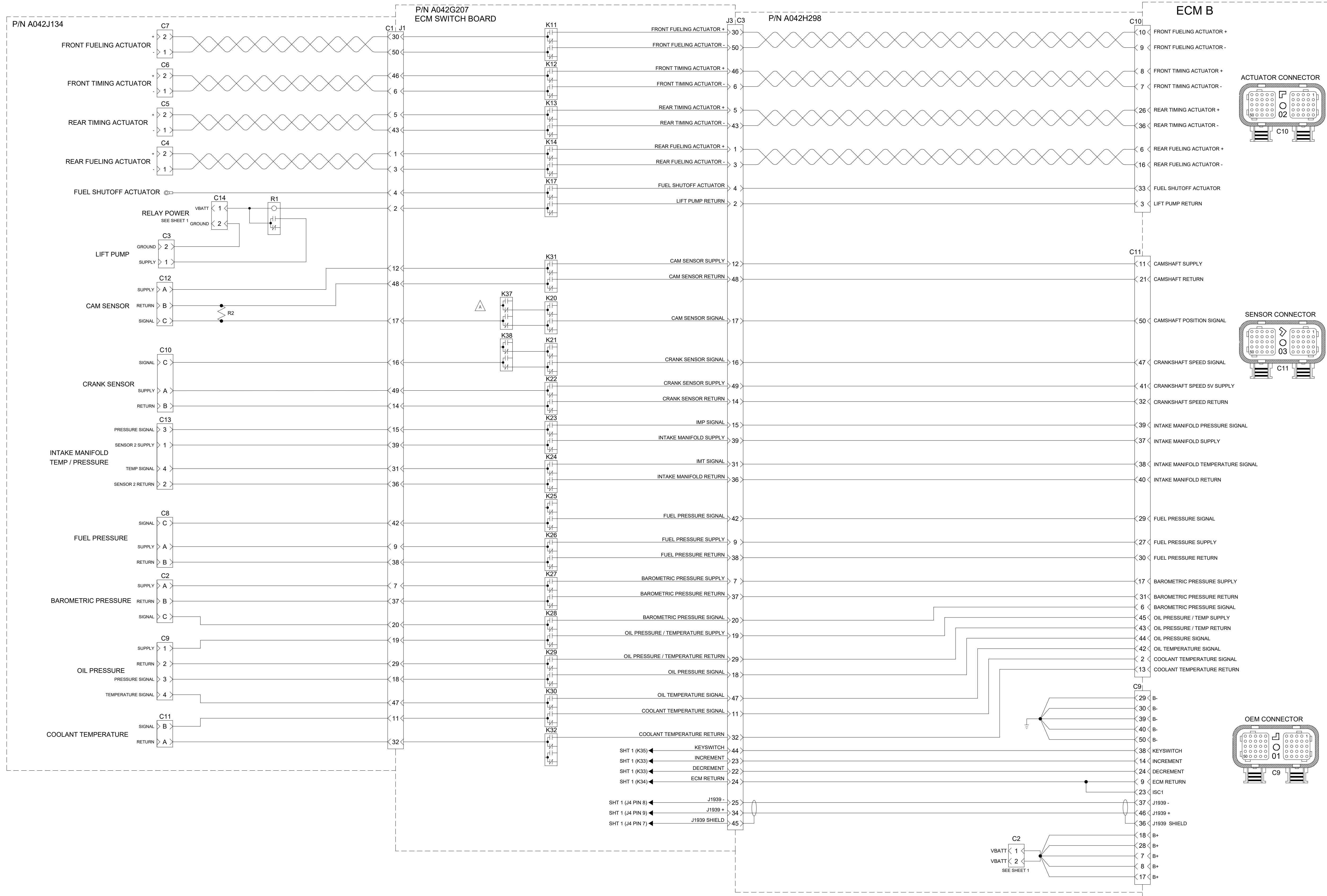
CUSTOM DESIGN AND
LIFT CENTER
875 LAWRENCE DRIVE
DEPERE, WISCONSIN

**SCHMATICS, OVERALL, CFP15E
FPDP GEN II**

DWG UNITS: INCH/LB/S
SCALE: 1:1
EST WEIGHT: SHEET 2 OF 6

DRAWN BY: KAK
AUTO CAD
DATE: 22 NOV 2016
INIT ECO: 2016-694
DRAWING NO: A042J125

A	2019-037	SEE SHEET 1 FOR DETAILS	JF	24/JAN/2019
REV	ECO	DESCRIPTION OF REVISION	BY	DATE



This document contains confidential and trade secret information. It is the property of Cummins NPower LLC and is loaned to the recipient in confidence. The recipient, by receiving and retaining, or the document accepts the document in confidence and agrees not to disclose, disseminate, or otherwise use the information herein, and to use the information herein only for the purposes intended. If you are not the intended recipient, you should not disseminate, distribute, or otherwise use the information herein. If you have received this document in error, please notify the sender immediately. © 2016 Cummins NPower LLC.

Cummins NPower
CUMMINS NPOWER LLC
CORPORATE OFFICE
1600 BLUEVALE ROAD
WHITE BEAR LAKE, MN
WWW.CUMMINSNPOWER.COM

CUSTOM DESIGN AND
LIFT CENTER
875 LAWRENCE DRIVE
DEPUE, WISCONSIN

SCHMATICS, OVERALL, CFP15E
FPDP GEN II

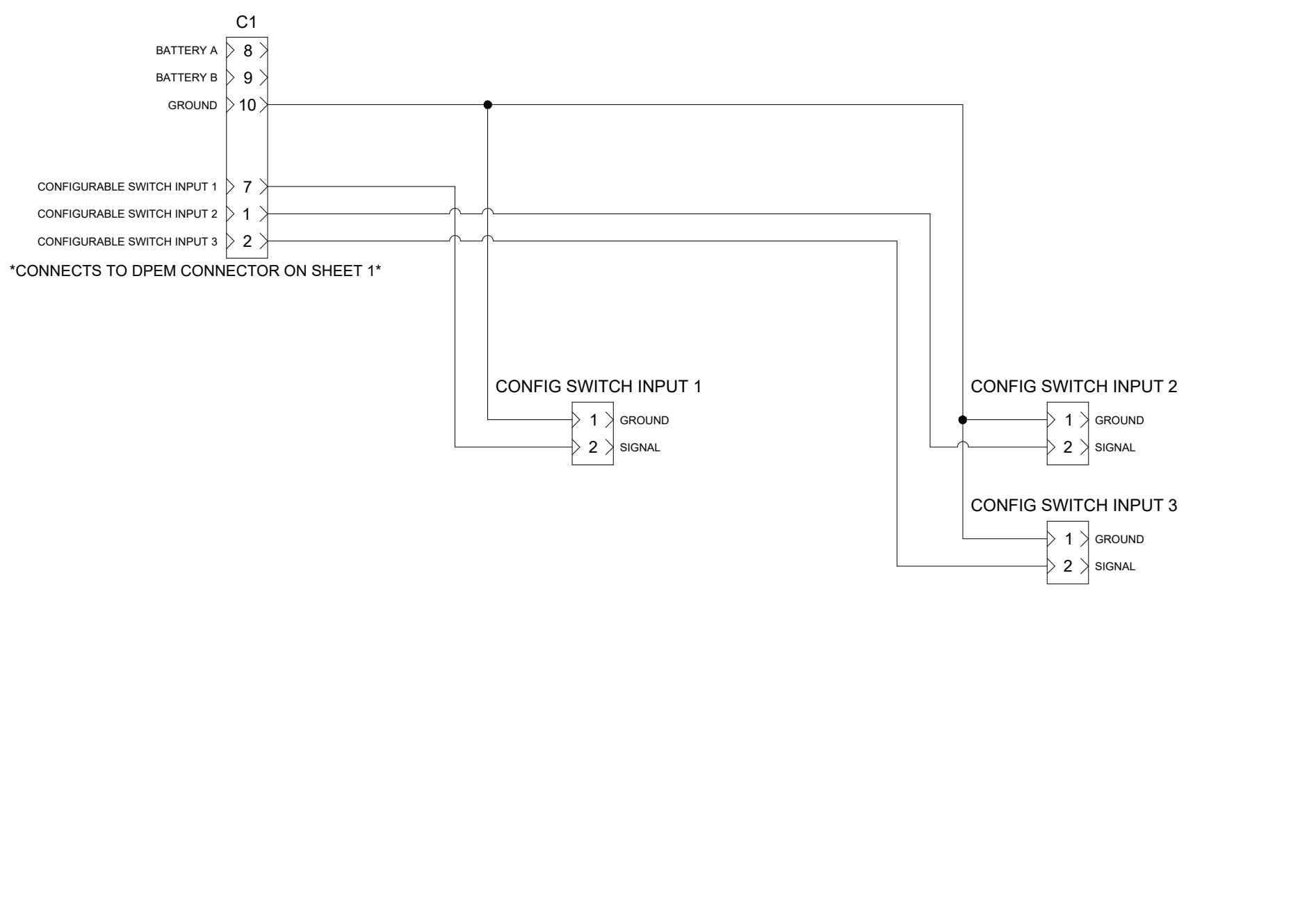
UNLESS OTHERWISE SPECIFIED ALL DIMENSION TOLERANCES ARE:
ANGULAR DIMENSIONS ± 1°
THIRD ANGLE PROJECTION

A	2019-037	SEE SHEET 1 FOR DETAILS	JF	24/JAN/2019
REV	ECO	DESCRIPTION OF REVISION	BY	DATE

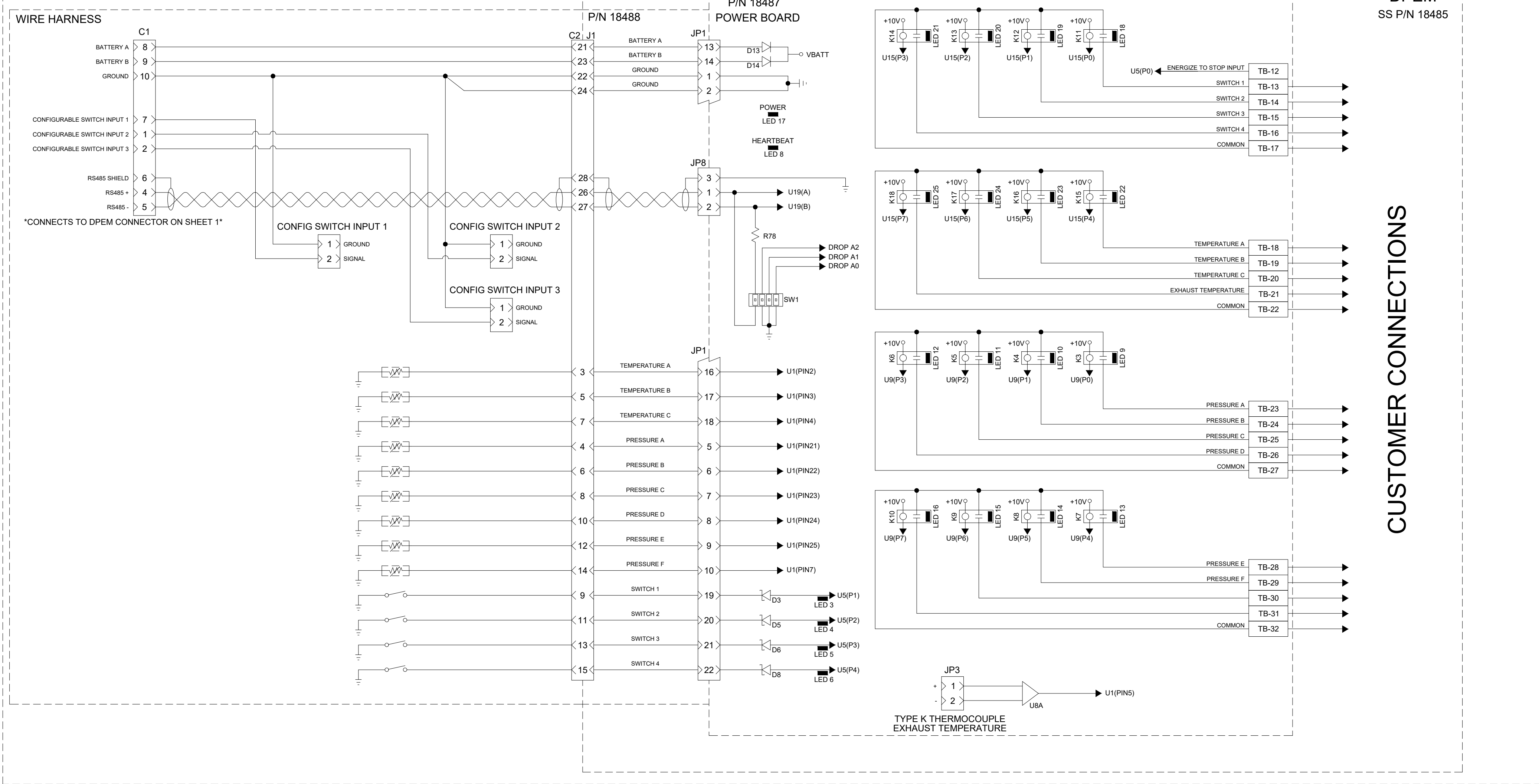
DWG UNITS: INCH/LB/S
SCALE: SHEET 3 OF 6
EST WEIGHT: DRAWING NO: A042J125

DRAWN BY: KAK
AUTO CAD
DATE: 22 NOV 2016
INIT ECO: 2016-694

NO ASO OPTION WITH UP TO 3 SWITCHED INPUTS



DPEM OPTION WITH NO ASO

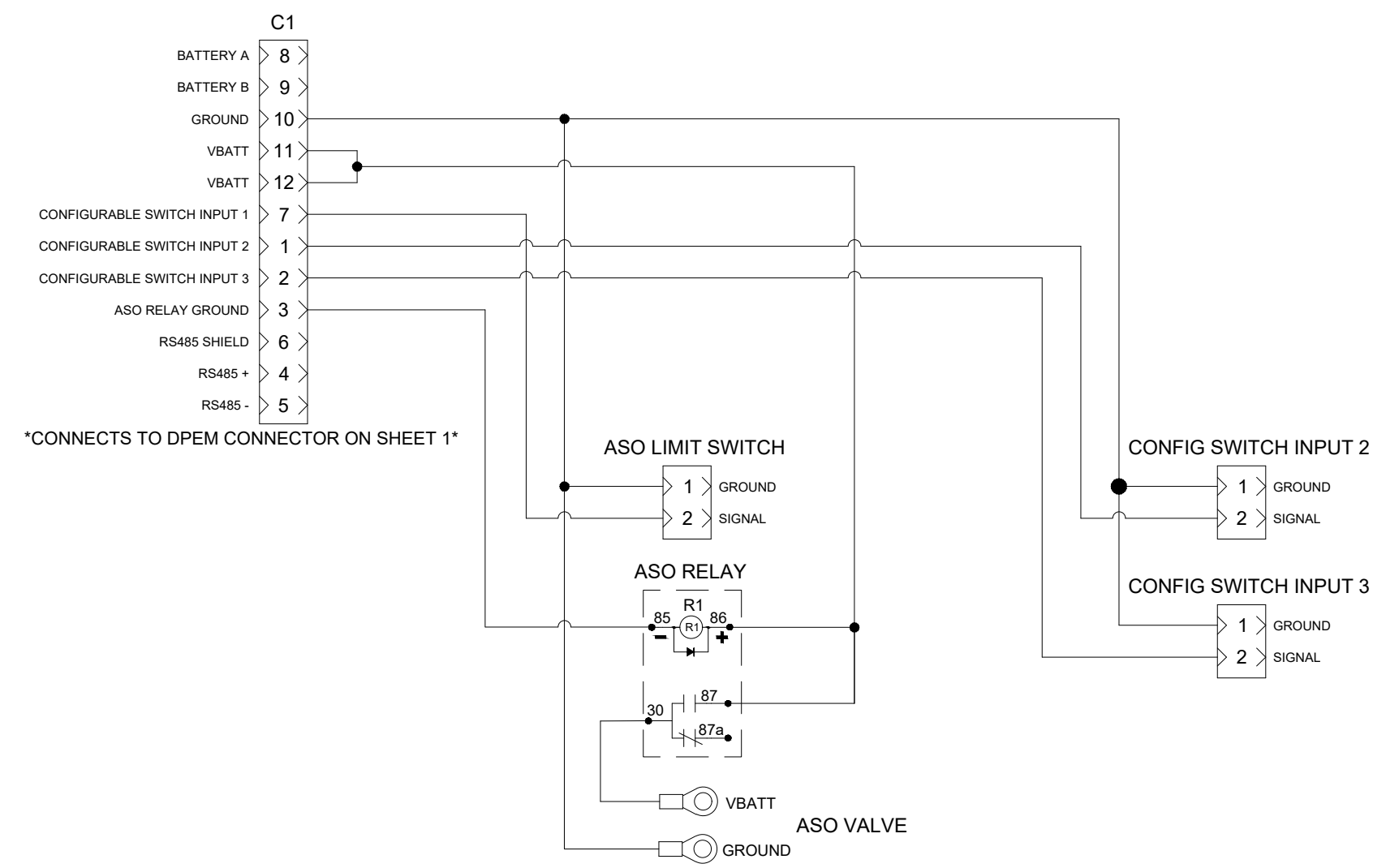


CUSTOMER CONNECTIONS

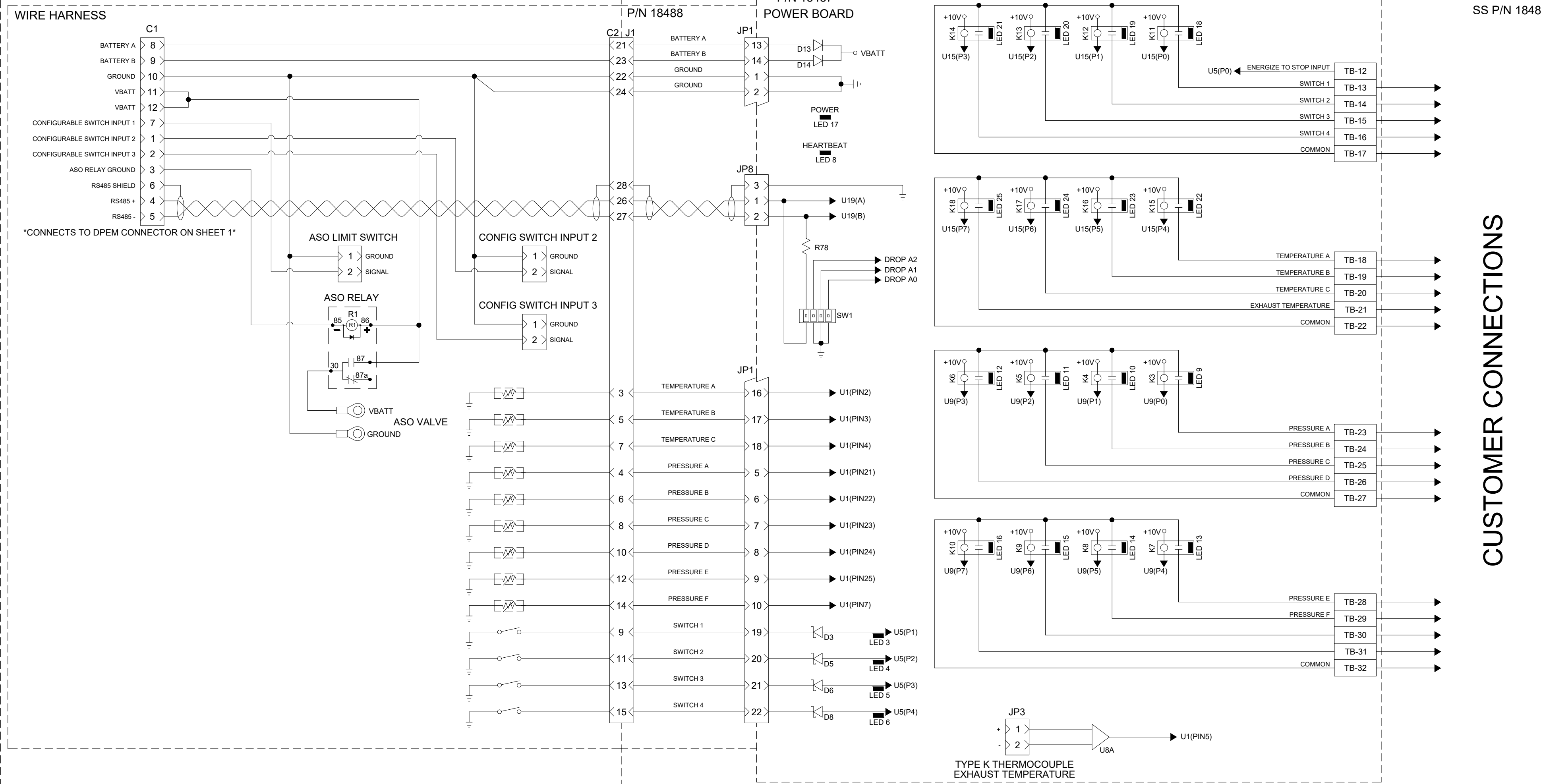
<small>This document contains confidential and trade secret information. It is the property of Cummins NPower LLC and is given to the receiver in confidence. The receiver, by receiving and retaining of this document, accepts the responsibility to maintain and protect this information. It is not to be used, copied, or disseminated without the express written consent of Cummins NPower LLC. (1) not to use the document or any copy thereof or the contents or trade secret information therein; (2) not to copy the document; (3) not to disclose to others either the document or the confidential or trade secret information therein; and (4) upon completion of the work to return the document, or upon demand, to return the document, all copies thereof, and all material copied therefrom. ©2016 Cummins NPower LLC.</small>			CUMMINS NPOWER LLC CORPORATE OFFICE 1600 BLUEVALE ROAD WHITE BEAR LAKE, MN WWW.CUMMINSNPOWER.COM	CUSTOM DESIGN AND UPTI CENTER 875 LAWRENCE DRIVE DEPERE, WISCONSIN
UNLESS OTHERWISE SPECIFIED ALL DIMENSION TOLERANCES ARE:				
ANGULAR DIMENSIONS ± 1°	IMPERIAL UNITS	METRIC UNITS	DWG UNITS: INCH/LB/S	
THIRD ANGLE PROJECTION	DIMENSIONS 0.000 - 0.250 0.001 0.250 - 1.000 0.002 1.000 - 2.000 0.003 2.000 - 5.000 0.004 5.000 - 10.000 0.005	DIMENSIONS 0.000 - 25.400 0.025 25.400 - 50.800 0.038 50.800 - 101.600 0.051 101.600 - 203.200 0.064 203.200 - 508.000 0.076	DATE: 22 NOV 2016 INIT ECO: 2016-694	
A 2019-037 SEE SHEET 1 FOR DETAILS JF 24JAN2019		DWG UNITS: AUTO CAD		
REV ECO	DESCRIPTION OF REVISION	BY	DATE	SCALE: SHEET 4 OF 6 DRAWING NO: A042J125

IF AIR SHUT-OFF (ASO) IS SELECTED, THE UL/FM LISTING IS REMOVED AS THIS OPTION IS NOT ALLOWED PER THE STANDARDS.

ASO OPTION WITH UP TO 2 SWITCHED INPUTS



DPEM OPTION WITH ASO



CUSTOMER CONNECTIONS

This document contains confidential and trade secret information. It is the property of Cummins NPower LLC and is loaned to the recipient in confidence. The recipient, by reviewing and retaining of this document, accepts the document is confidential and agrees not to disclose or otherwise use the information contained herein, and to use the information solely for the purposes intended. If you are not the intended recipient, you should not disseminate, distribute, or copy this document. If you have received this document in error, please notify the sender immediately by email at info@cumminsnpower.com or by phone at 1-800-441-4262. ©2016 Cummins NPower LLC.

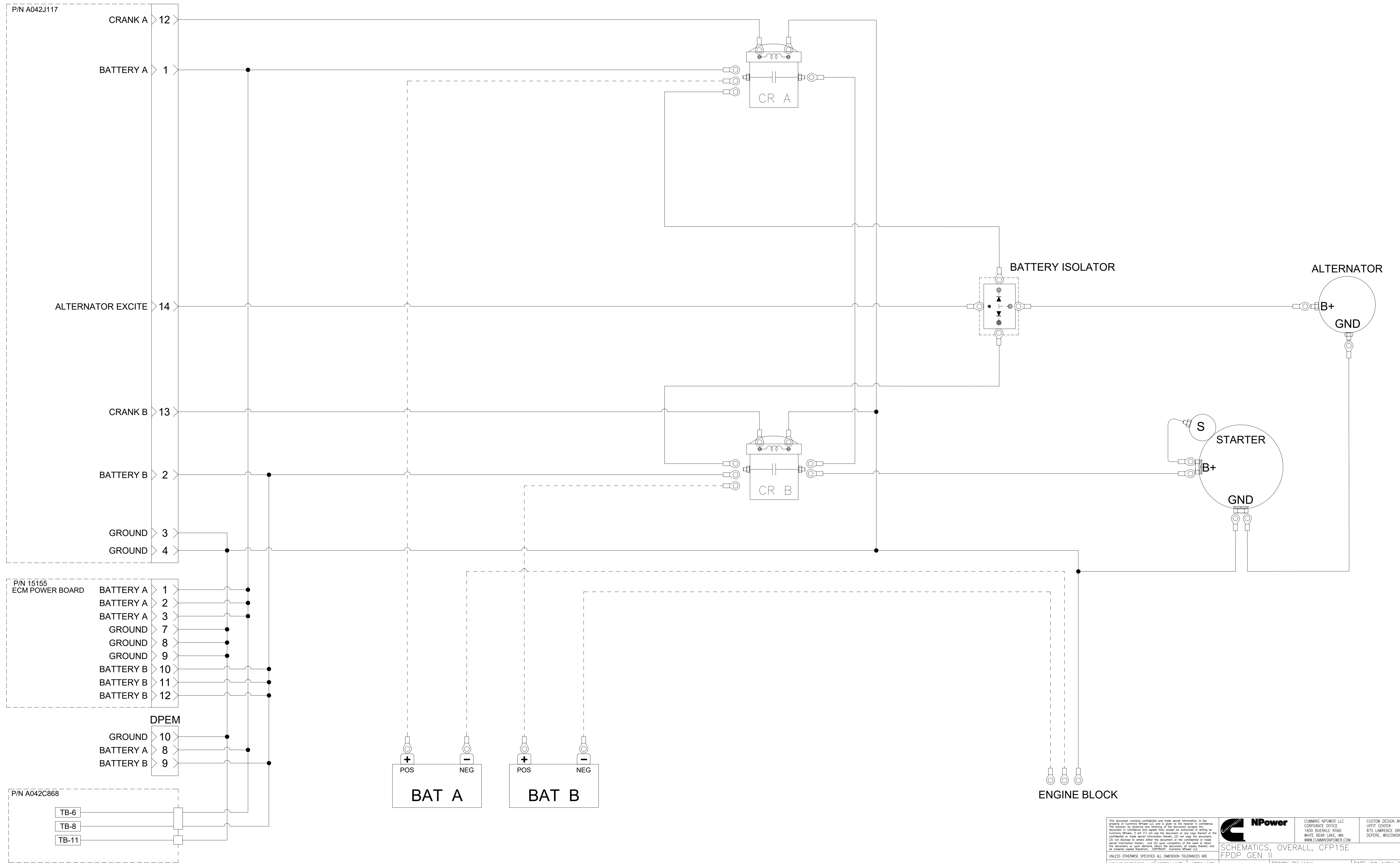
UNLESS OTHERWISE SPECIFIED ALL DIMENSION TOLERANCES ARE:

ANGULAR DIMENSIONS ± 1°	IMPERIAL UNITS	METRIC UNITS
THIRD ANGLE PROJECTION	0.005	0.125
	0.010	0.250
	0.015	0.375
	0.020	0.500
	0.030	0.750
	0.040	1.000
	0.050	1.250
	0.060	1.500
	0.070	1.750
	0.080	2.000
	0.090	2.250
	0.100	2.500

SCHEMATICS, OVERALL, CFP15E
FPDP GEN II

DWG UNITS: INCH/LB/S	DRAWN BY: KAK	DATE: 22 NOV 2016
SCALE:	SHEET 5 OF 6	INIT ECO: 2016-694
EST WEIGHT:	DRAWING NO: A042J125	

REV	DATE	DESCRIPTION OF REVISION	BY
A	2019-037	SEE SHEET 1 FOR DETAILS	JF
REV	ECO	DESCRIPTION OF REVISION	BY



This document contains confidential and trade secret information. It is the property of Cummins NPower LLC and is loaned to the receiver in confidence. The receiver, by receiving and retaining this document, accepts the responsibility to maintain and control this document as confidential. It is not to be disclosed, copied, or otherwise made available to any third party without the prior written consent of Cummins NPower LLC. If you are not an authorized recipient, you should not disseminate, distribute, or otherwise make available this document. If you are an authorized recipient, you should not disseminate, distribute, or otherwise make available this document to any third party without the prior written consent of Cummins NPower LLC. If you are not an authorized recipient, you should not disseminate, distribute, or otherwise make available this document to any third party without the prior written consent of Cummins NPower LLC.

Cummins NPower
 CUMMINS NPOWER LLC
 CORPORATE OFFICE
 1600 BLUEVALE ROAD
 WHITE OAK LAKE, MN
 WWW.CUMMINSPOWER.COM

CUSTOM DESIGN AND
 UPTIT CENTER
 875 LAWRENCE DRIVE
 DEPERE, WISCONSIN

SCHEMATICS, OVERALL, CFP15E
 FPDP GEN II

DWG UNITS: INCH/LB/S
 SCALE: EST WEIGHT:

DRAWN BY: KAK
 DATE: 22 NOV 2016
 INIT ECO: 2016-694

SHEET 6 OF 6
 DRAWING NO: A042J125

REV	ECO	DESCRIPTION OF REVISION	BY	DATE
A	2019-037	SEE SHEET 1 FOR DETAILS	JF	24JAN2019