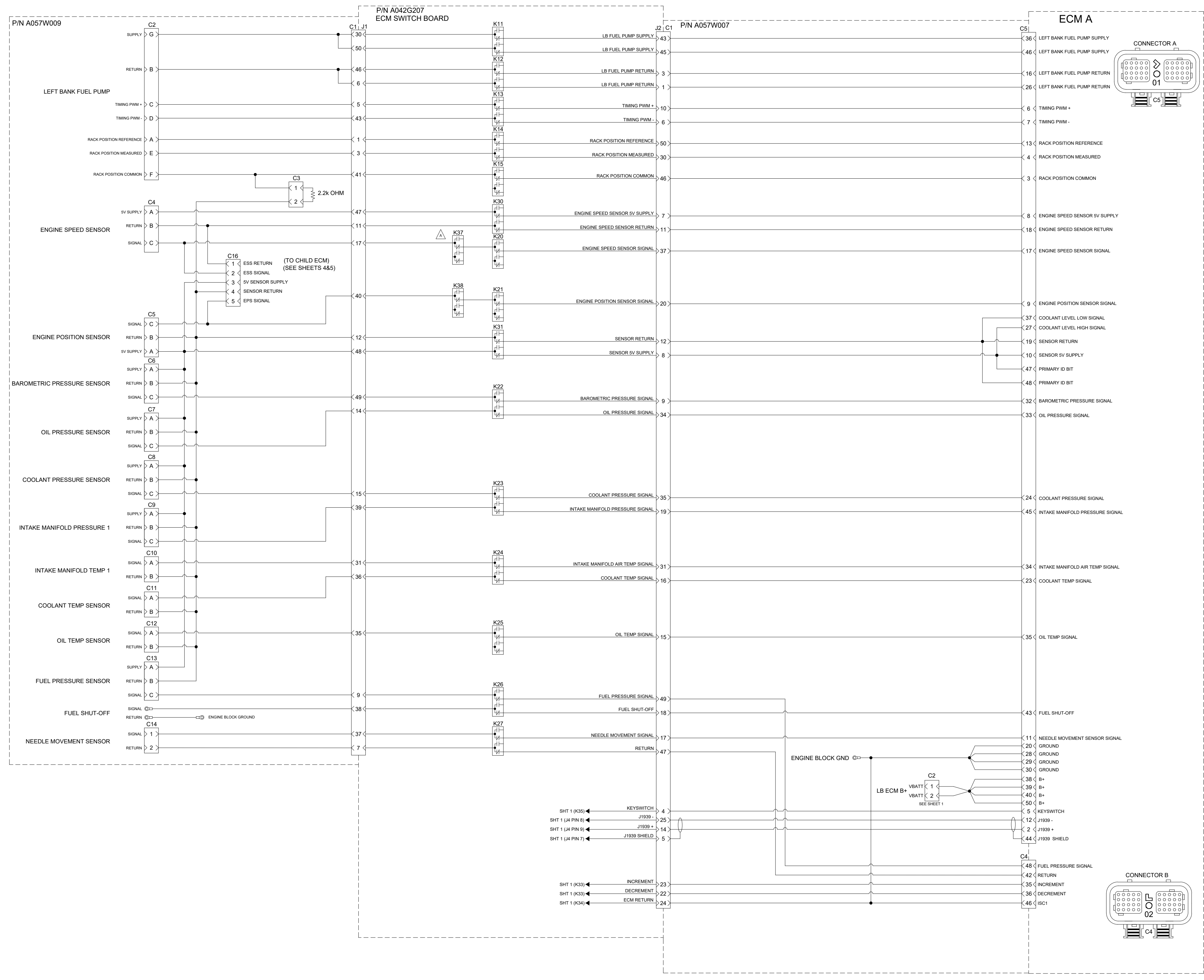


<small>This document contains confidential and trade secret information. It is the property of Cummins NPower LLC and is loaned to the recipient in confidence. The recipient, by reviewing and retaining of this document, accepts the responsibility to maintain and protect this information. It is not to be distributed, copied, or otherwise used without the express written consent of Cummins NPower LLC. If you are not the intended recipient, you should not disseminate, distribute, or copy this information. If you have received this document in error, please notify the sender immediately by e-mail at www.cumminsnpower.com. All rights reserved. © 2017 Cummins NPower LLC.</small>			CUMMINS NPOWER LLC CORPORATE OFFICE 1600 BURNLEY ROAD WHITE BEAR LAKE, MN WWW.CUMMINSNPOWER.COM	CUSTOM DESIGN AND UPLIFT CENTER 875 LAWRENCE DRIVE DEPERE, WISCONSIN	
SCHMATICS, OVERALL, CFP30E FPDF GEN II					
UNLESS OTHERWISE SPECIFIED ALL DIMENSION TOLERANCES ARE: ANGULAR DIMENSIONS ± 1° THIRD ANGLE PROJECTION	IMPERIAL UNITS INCH/LB/S	METRIC UNITS MM/KG/S	DWG UNITS: INCH/LB/S SCALE:	DRAWN BY: KAK AUTO CAD EST WEIGHT:	DATE: 16 JUNE 2017 INIT ECO: 2017-379
A 2019-037 REV ECO	ADDED TB LEGEND, CORRECT SENSOR INTERCONNECT CIRCUITRY CORRECTED GSS SWITCH TO B+, ADDED SECOND STARTER	JF BY DATE	24/JAN/2019	SHEET 1 OF 8 DRAWING NO: A042J127	



This document contains confidential and trade secret information. It is the property of Cummins NPower LLC and is loaned to the receiver in confidence. The receiver, by receiving and retaining or the document accepts the document in confidence and agrees not to disclose the document to anyone other than Cummins NPower, its affiliates or its employees. (1) not use the document or any copy thereof or the contents or trade secret information therein; (2) not copy the document; (3) not disclose to others either the document or the confidential or trade secret information therein; and (4) upon completion of the loan to return the document, if any remains, shall be destroyed. All rights reserved, and all material copied hereon. ©2015 Cummins NPower LLC.

CUMMINS NPower

CUMMINS NPOWER LLC
CORPORATE OFFICE
1600 BURNLEY ROAD
WHITE BEAR LAKE, MN
WWW.CUMMINSPOWER.COM

CUSTOM DESIGN AND
UPFIT CENTER
875 LAWRENCE DRIVE
DEPUE, WISCONSIN

**SCHMATIC, OVERALL, CFP30E
FPDP GEN II**

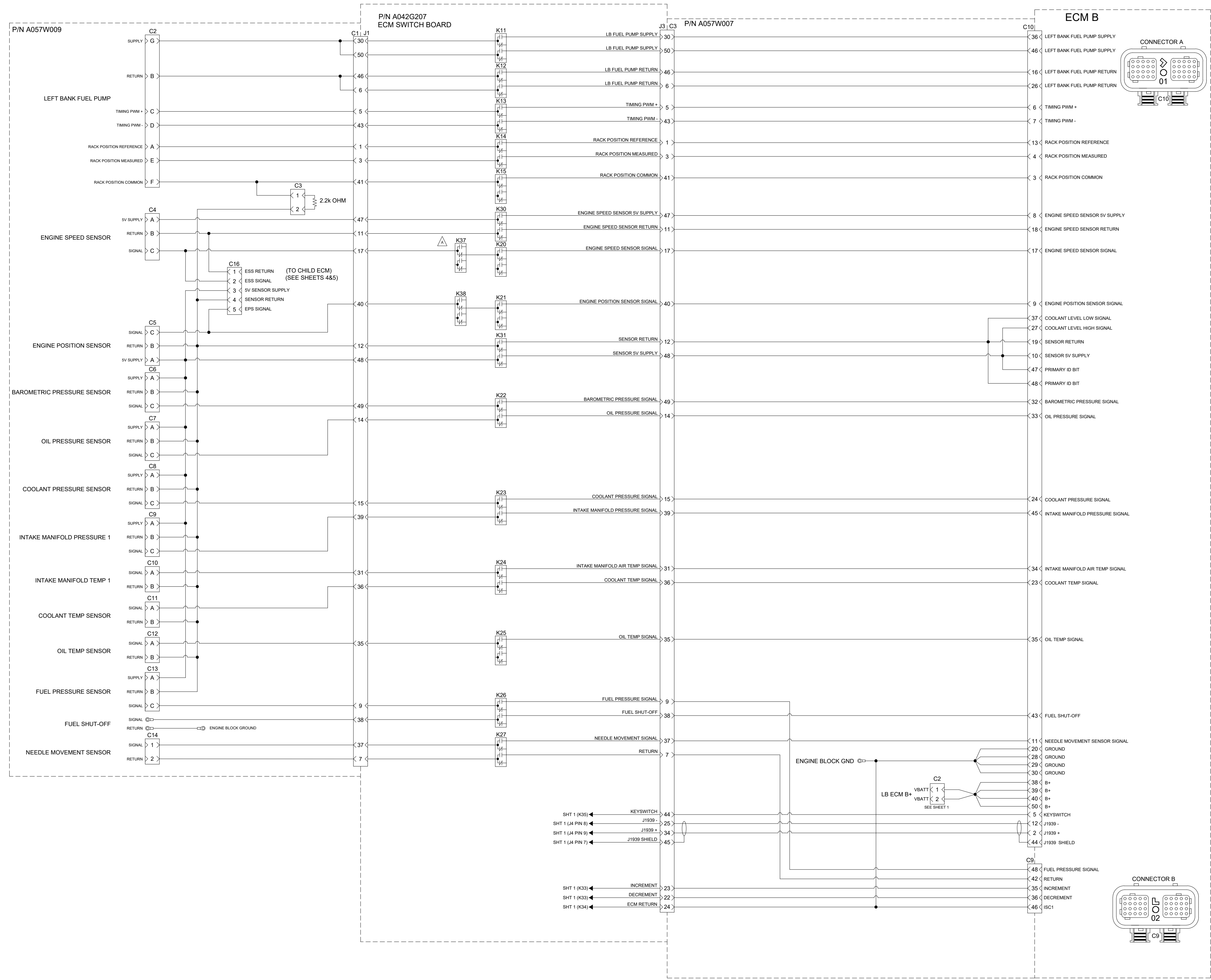
DWG UNITS: INCH/LB/S
SCALE: AUTO CAD
EST WEIGHT:

DRAWN BY: KAK
DATE: 16 JUNE 2017
INIT ECO: 2017-379

DATE: 24 JAN 2019

SHEET 2 OF 8 DRAWING NO: A042J127

REV	DATE	DESCRIPTION OF REVISION	BY
A	2019-037	ADDED TO LEGEND, CORRECT SENSOR DISCONNECT CIRCUITY CORRECTED GSS SWITCH TO B+, ADDED SECOND STARTER	JF
REV	ECO	DESCRIPTION OF REVISION	DATE



This document contains confidential and trade secret information. It is the property of Cummins NPower LLC and is loaned to the recipient in confidence. The recipient, by receiving and retaining this document, accepts the responsibility to maintain the confidentiality of the information contained herein. (1) not to disclose the information to others; (2) not to copy, reproduce, or disseminate the information; (3) not to use the information for any purpose other than that for which it was provided; (4) to return the document to Cummins NPower LLC upon completion of the project or as otherwise directed. ©2017 Cummins NPower LLC.

UNLESS OTHERWISE SPECIFIED ALL DIMENSION TOLERANCES ARE:

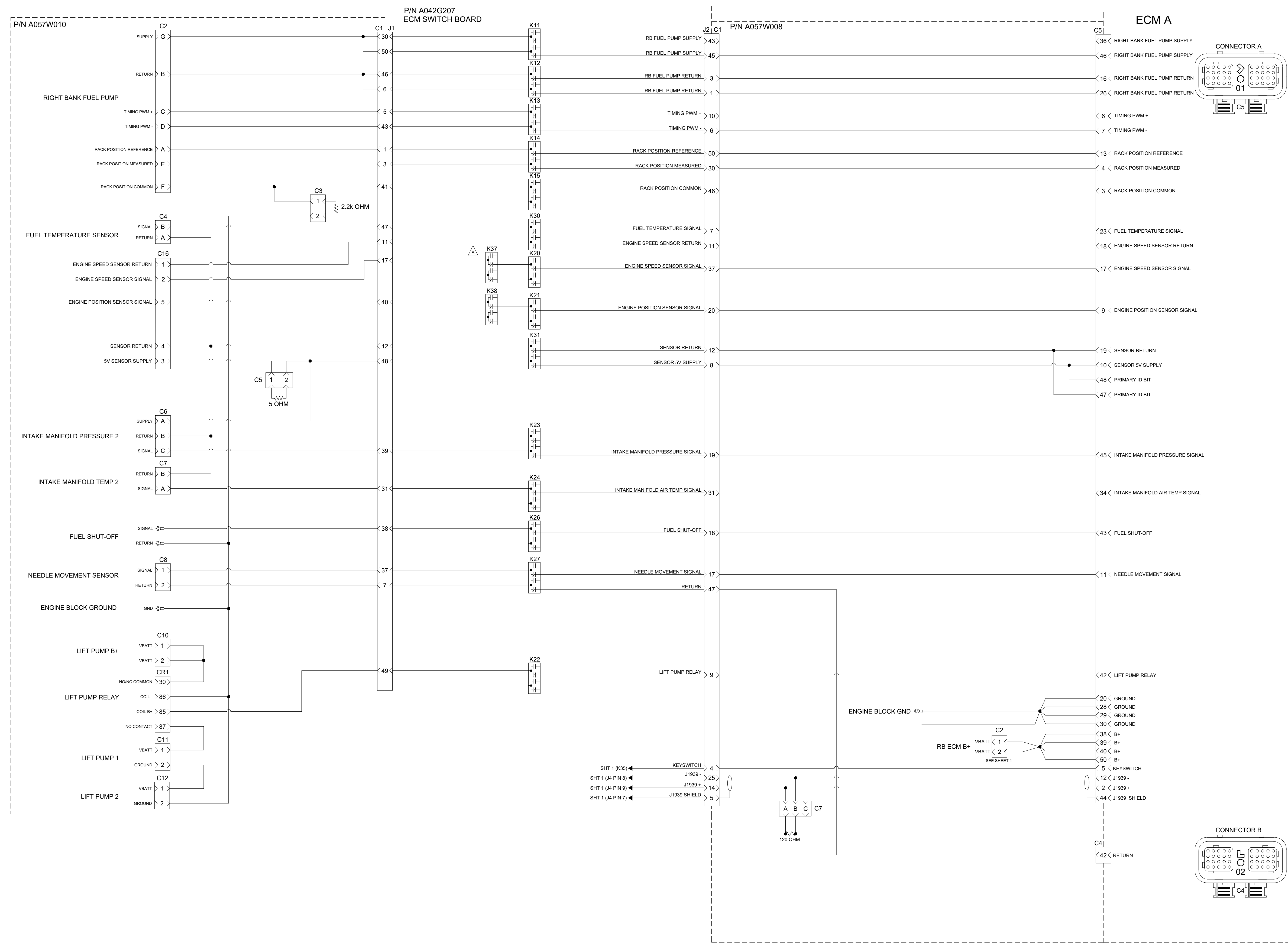
ANGULAR DIMENSIONS	IMPERIAL UNITS	METRIC UNITS
± 1°	± 0.030"	± 0.762 mm
THIRD ANGLE PROJECTION	± 0.005"	± 0.127 mm
	± 0.010"	± 0.254 mm
	± 0.015"	± 0.381 mm
	± 0.030"	± 0.762 mm

A	2019-037	ADDED LB FUEL CORRECT SENSOR (DISCONNECT CIRCUITRY CORRECTED GSS SWITCH TO B+ ADDED SECOND STARTER	JF	24/JAN/2019
REV	ECO	DESCRIPTION OF REVISION	BY	DATE

CUMMINS NPower LLC
 CORPORATE OFFICE
 1600 BURNALL ROAD
 WHITE BEAR LAKE, MN
 WWW.CUMMINSNPOWER.COM

SCHEMATICS, OVERALL, CFP30E
FPDP GEN II

DWG UNITS:	INCH/LB/S	DRAWN BY:	KAK	DATE:	16 JUNE 2017
SCALE:		INIT ECO:	2017-379		
EST WEIGHT:		SHEET 3 OF 8	DRAWING NO:	A042J127	



This document contains confidential and trade secret information. It is the property of Cummins NPower LLC and is loaned to the receiver in confidence. The receiver, by receiving and retaining or the document accepts the document in confidence and agrees to hold it confidential and to return it to Cummins NPower, or to its authorized agent, upon request. (1) not to disclose to others without the prior written consent of Cummins NPower; (2) not to copy, reproduce, or disseminate the document; (3) not to disclose to others without the prior written consent of Cummins NPower; and (4) to use the information contained herein only for the purposes intended by Cummins NPower. © 2017 Cummins NPower LLC.

UNLESS OTHERWISE SPECIFIED ALL DIMENSION TOLERANCES ARE:

ANGULAR DIMENSIONS ± 1°	IMPERIAL UNITS	METRIC UNITS
THIRD ANGLE PROJECTION	INCH/LB/S	MM/KG/M
	± 0.005	± 0.125
	± 0.010	± 0.250
	± 0.020	± 0.500
	± 0.050	± 1.250

SCHEMATICS, OVERALL, CFP30E
FPDP GEN II

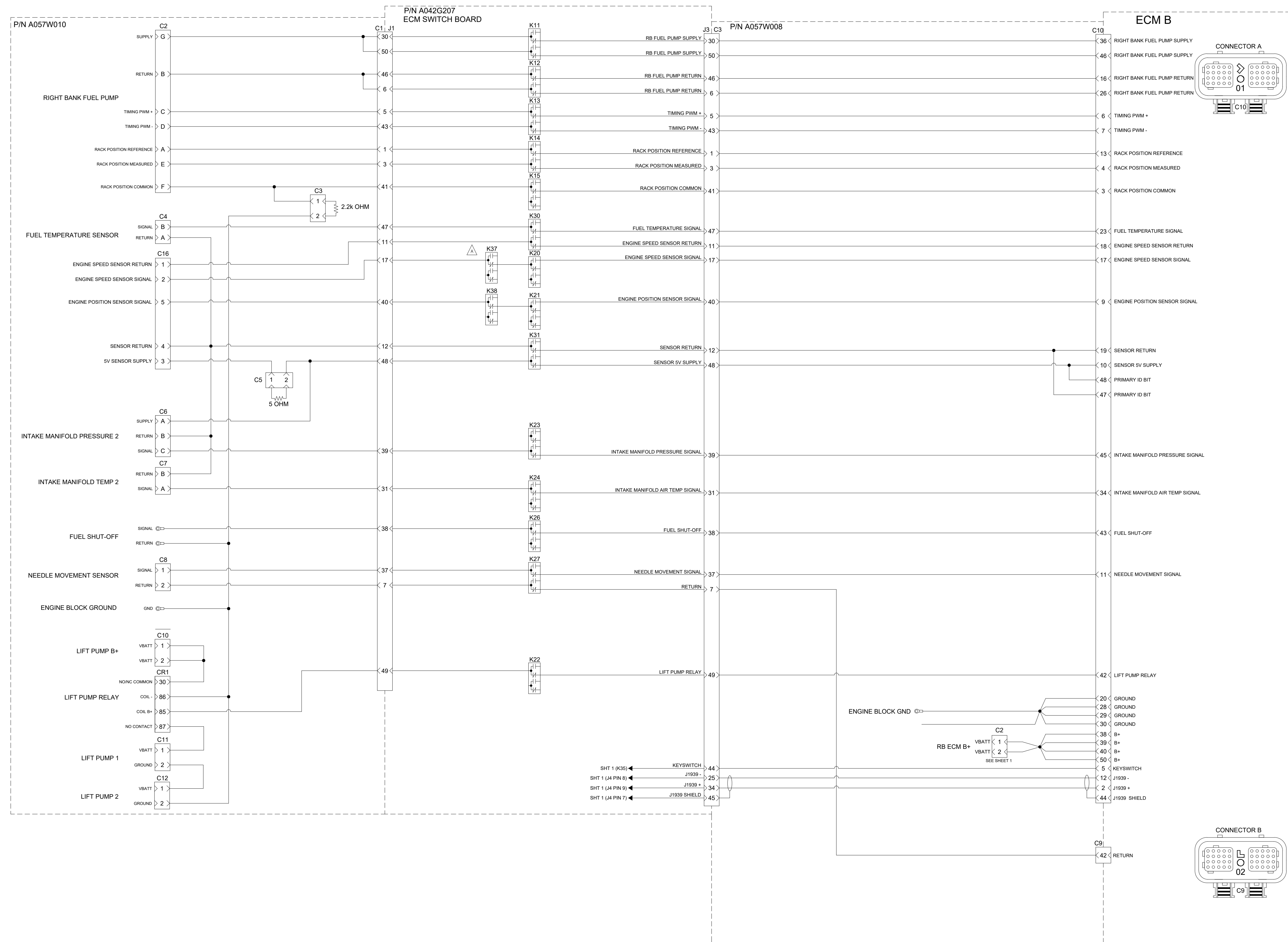
DWG UNITS: INCH/LB/S
 SCALE: AUTO CAD
 EST WEIGHT: SHEET 4 OF 8

DATE: 16 JUNE 2017
 INIT ECO: 2017-379
 DRAWING NO: A042J127

CUMMINS NPower
 CUMMINS NPOWER LLC
 CORPORATE OFFICE
 1600 BURNALL ROAD
 WHITE BEAR LAKE, MN
 WWW.CUMMINSNPOWER.COM

CUSTOM DESIGN AND
 UPTI CENTER
 875 LAWRENCE DRIVE
 DEPERE, WISCONSIN

REV	DATE	DESCRIPTION OF REVISION	BY	DATE
A	2019-037	ADDED TO LEGEND, CORRECT SENSOR DISCONNECT CIRCUITRY CORRECTED GSS SWITCH TO B+, ADDED SECOND STARTER	JF	24-JAN-2019
REV	ECO	DESCRIPTION OF REVISION		



This document contains confidential and trade secret information. It is the property of Cummins NPower LLC and is loaned to the recipient in confidence. The recipient, by receiving and retaining or the document, accepts the responsibility to maintain the confidentiality of the information contained herein. (1) not to disclose the information to any third party; (2) not to copy, reproduce, or otherwise use the information for any purpose other than that for which it was provided; (3) not to disclose to others either the document or the confidential or trade secret information herein; and (4) upon termination of the loan to return the document, or any derivative thereof, to Cummins NPower LLC. If you have any questions, please contact Cummins NPower LLC.

Cummins NPower

CUMMINS NPOWER LLC
CORPORATE OFFICE
1600 BURNLEY ROAD
WHITE BEAR LAKE, MN
WWW.CUMMINSNPOWER.COM

CUSTOM DESIGN AND
LIFT CENTER
875 LAWRENCE DRIVE
DEPUE, WISCONSIN

**SCHMATICS, OVERALL, CFP30E
FPDP GEN II**

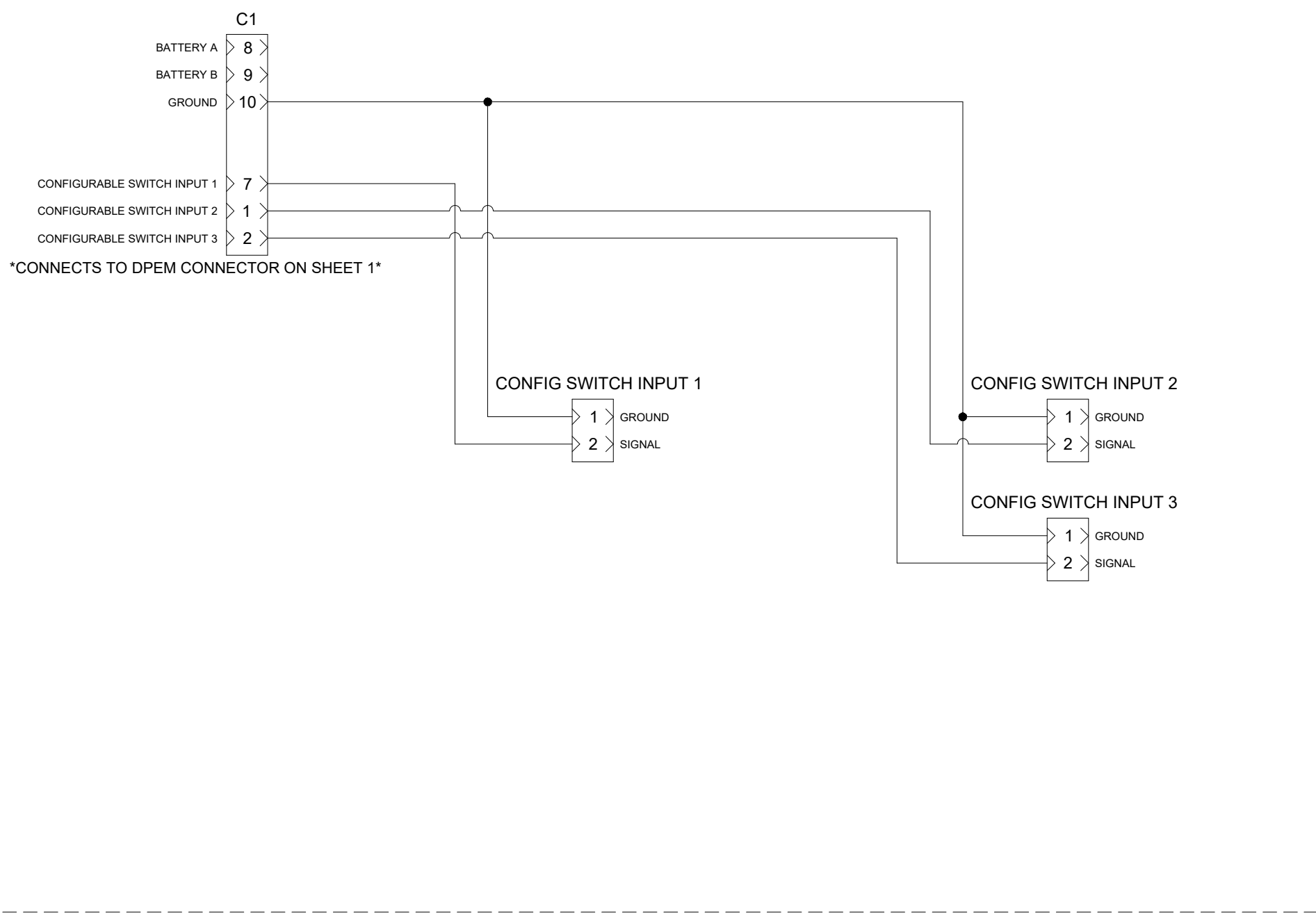
UNLESS OTHERWISE SPECIFIED ALL DIMENSION TOLERANCES ARE:

ANGULAR DIMENSIONS ± 1°	IMPERIAL UNITS	METRIC UNITS
THIRD ANGLE PROJECTION	INCH/LB/S	MM/KG/M
	0.005	0.125
	0.010	0.250
	0.015	0.375
	0.020	0.500
	0.030	0.750
	0.040	1.000
	0.050	1.250
	0.060	1.500
	0.070	1.750
	0.080	2.000
	0.090	2.250
	0.100	2.500

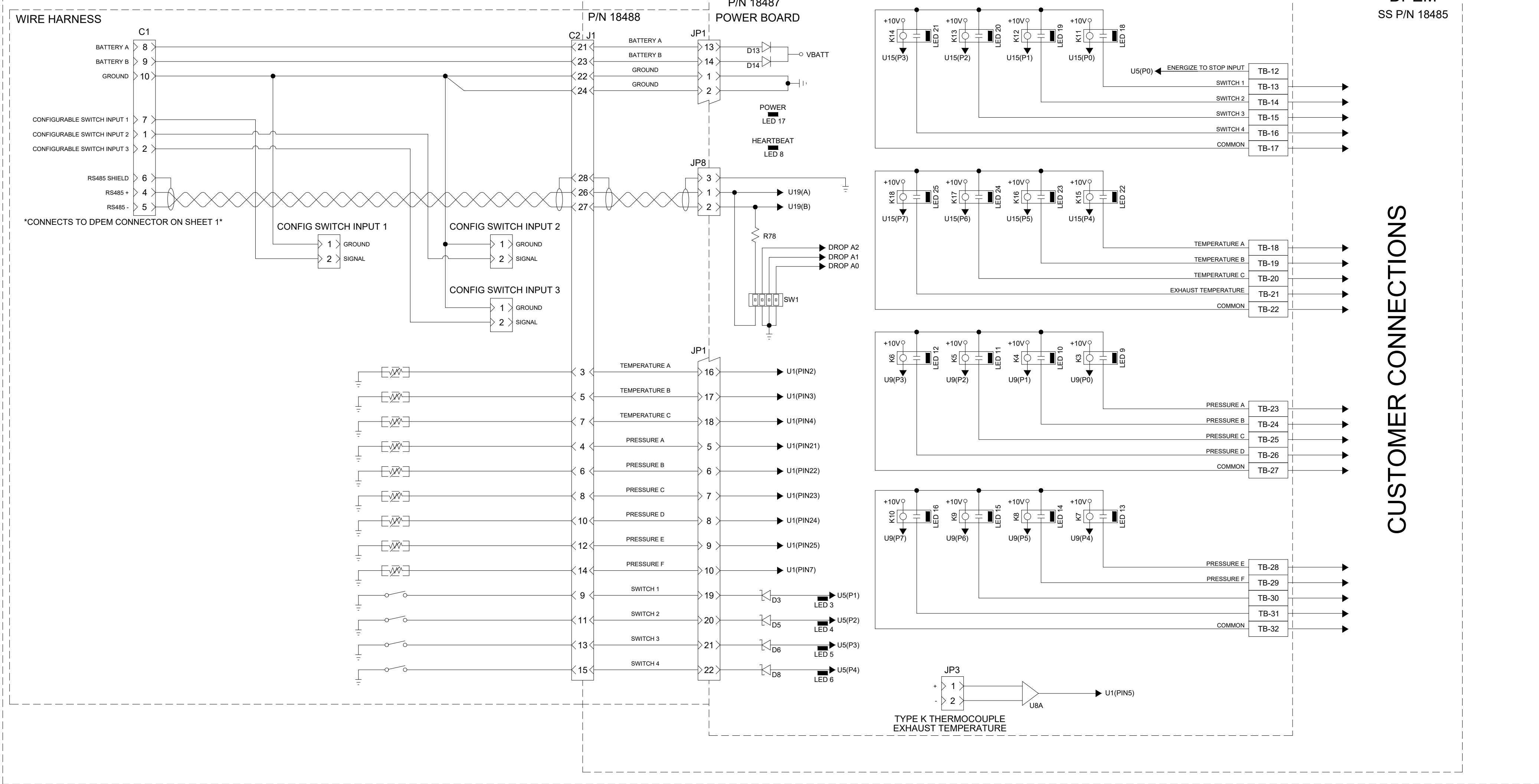
DWG UNITS:	INCH/LB/S	DRAWN BY:	KAK	DATE:	16 JUNE 2017
SCALE:		INIT ECO:	2017-379		
EST WEIGHT:		SHEET 5 OF 8		DRAWING NO:	A042J127

REV	DATE	DESCRIPTION OF REVISION	BY	DATE
A	2019-037	ADDED TB LEGEND, CORRECT SENSOR DISCONNECT CIRCURY, CORRECTED DISCONNECT TO B+	JF	24 JAN 2019
REV	ECO			

NO ASO OPTION WITH UP TO 3 SWITCHED INPUTS



DPPEM OPTION WITH NO ASO



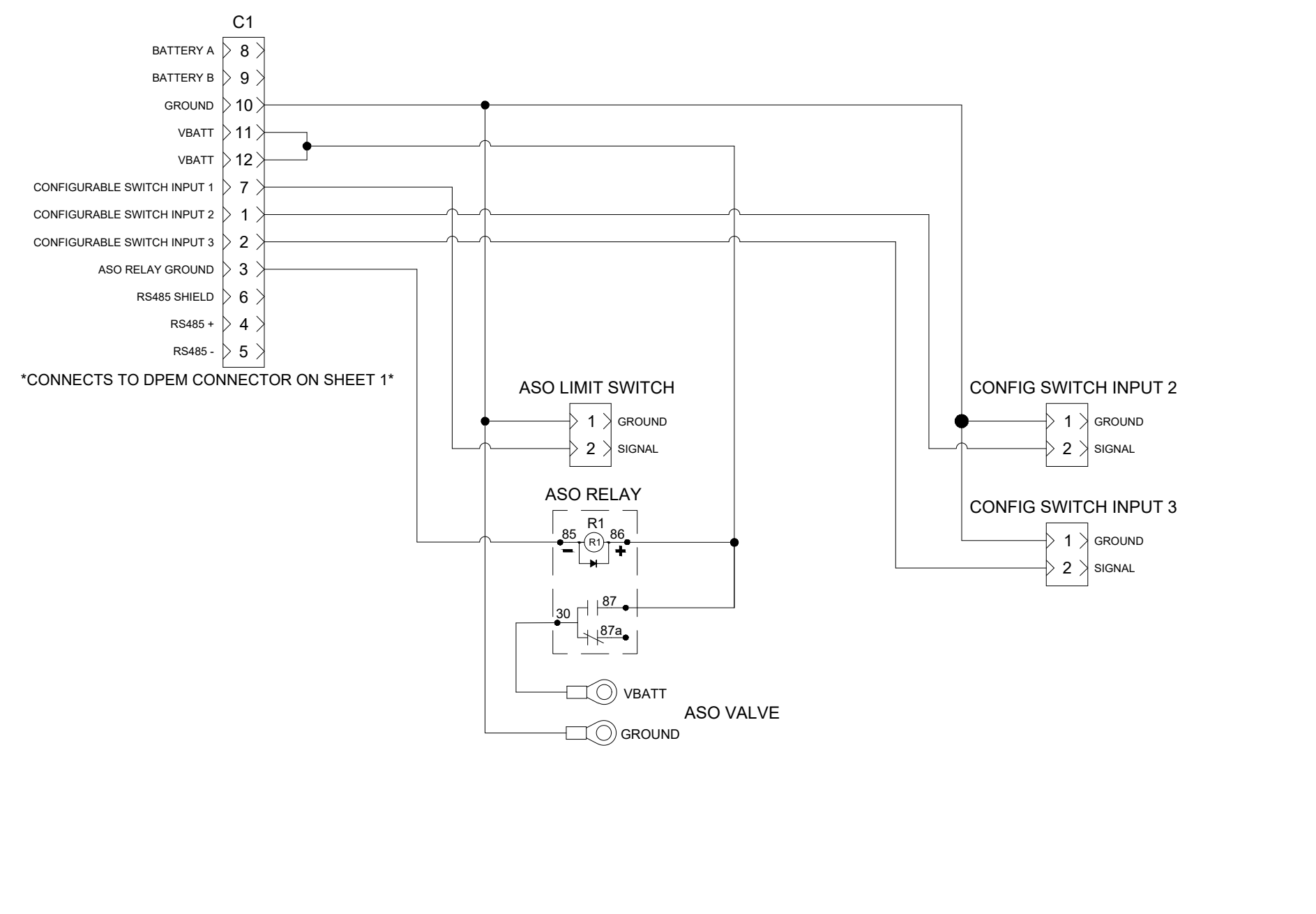
CUSTOMER CONNECTIONS

<small>This document contains confidential and trade secret information. It is the property of Cummins NPower LLC and is given to the receiver in confidence. The receiver by receiving and retaining or the document accepts the obligation to maintain the confidentiality of the information contained herein. (1) not to disclose the information to any third party; (2) not to copy, reproduce, or otherwise use the information for any purpose other than that for which it was provided; (3) not to disclose to others either the document or the confidential or trade secret information herein; and (4) upon completion of the work to return the document, or upon demand, to return the document, all copies thereof, and all material contained therein. ©2017 Cummins NPower LLC.</small>			CUMMINS NPOWER LLC CORPORATE OFFICE 1600 BLUEVALE ROAD WHITE BEAR LAKE, MN WWW.CUMMINSPOWER.COM	CUSTOM DESIGN AND UPTI CENTER 875 LAWRENCE DRIVE DEPERE, WISCONSIN
UNLESS OTHERWISE SPECIFIED ALL DIMENSION TOLERANCES ARE: ANGULAR DIMENSIONS ± 1° THIRD ANGLE PROJECTION				
DWG UNITS: INCH/LB/S SCALE: EST WEIGHT:		DRAWN BY: KAK AUTO CAD SHEET 6 OF 8 DRAWING NO: A042J127		DATE: 16 JUNE 2017 INIT ECO: 2017-379

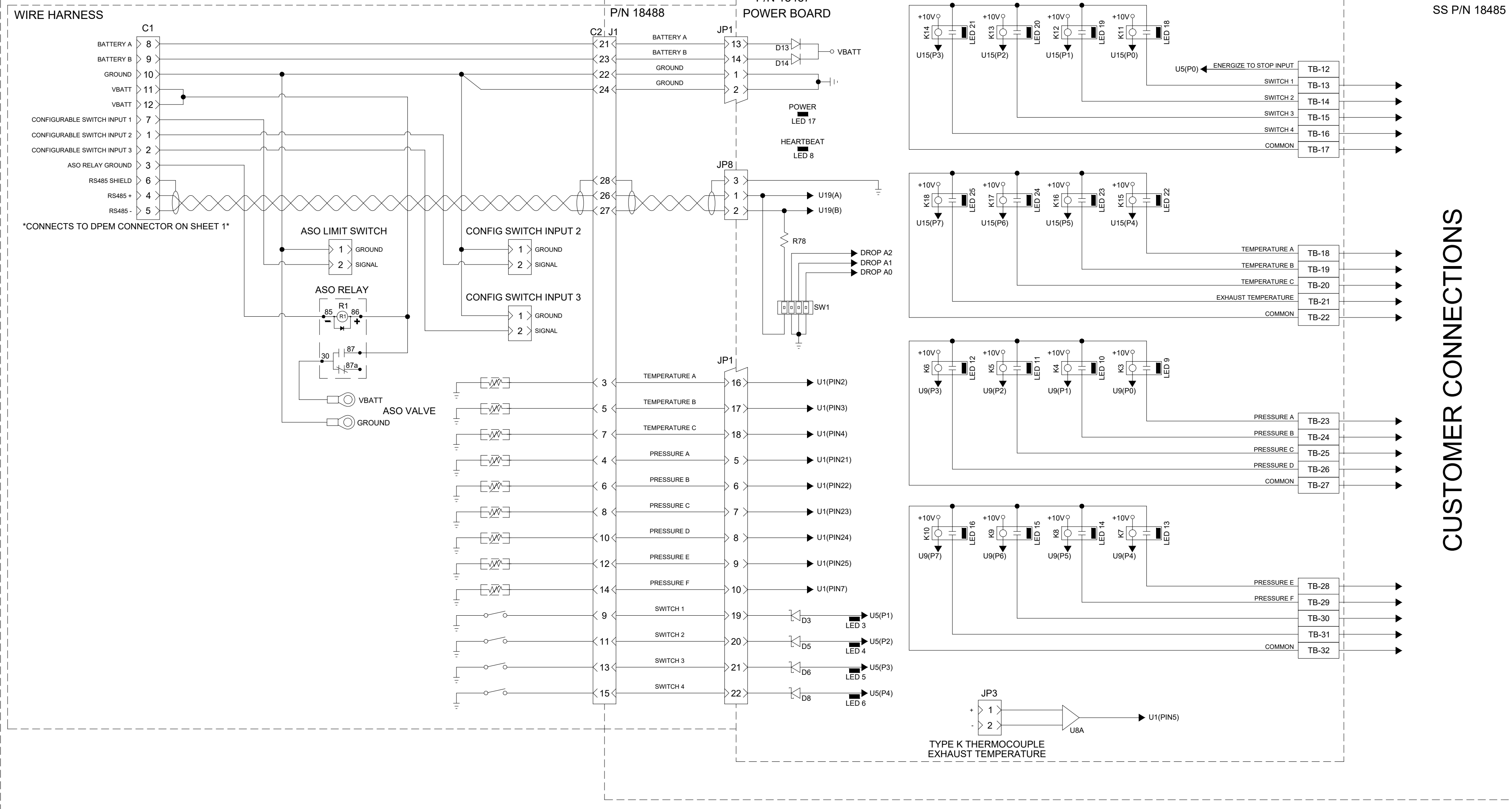
REV	DATE	DESCRIPTION OF REVISION	BY
A	2019-037	ADDED TB LEGEND, CORRECT SENSOR DISCONNECT CIRCUITRY, CORRECTED OSS SWITCH TO B+, ADDED SECOND STARTER	JF
REV	ECO	DESCRIPTION OF REVISION	DATE

IF AIR SHUT-OFF (ASO) IS SELECTED, THE UL/FM LISTING IS REMOVED AS THIS OPTION IS NOT ALLOWED PER THE STANDARDS.

ASO OPTION WITH UP TO 2 SWITCHED INPUTS



DPEM OPTION WITH ASO



CUSTOMER CONNECTIONS

This document contains confidential and trade secret information. It is the property of Cummins NPower LLC and is loaned to the recipient in confidence. The recipient, by receiving and retaining this document, accepts the responsibility to maintain the confidentiality of the information contained herein. (1) not to disclose the information to any third party; (2) not to copy, reproduce, or otherwise use the information for any purpose other than that for which it was provided; (3) not to disclose to others either the document or the confidential or trade secret information herein; and (4) upon completion of the work to return the document, if any items, to the originator. All rights reserved. © 2017 Cummins NPower LLC.

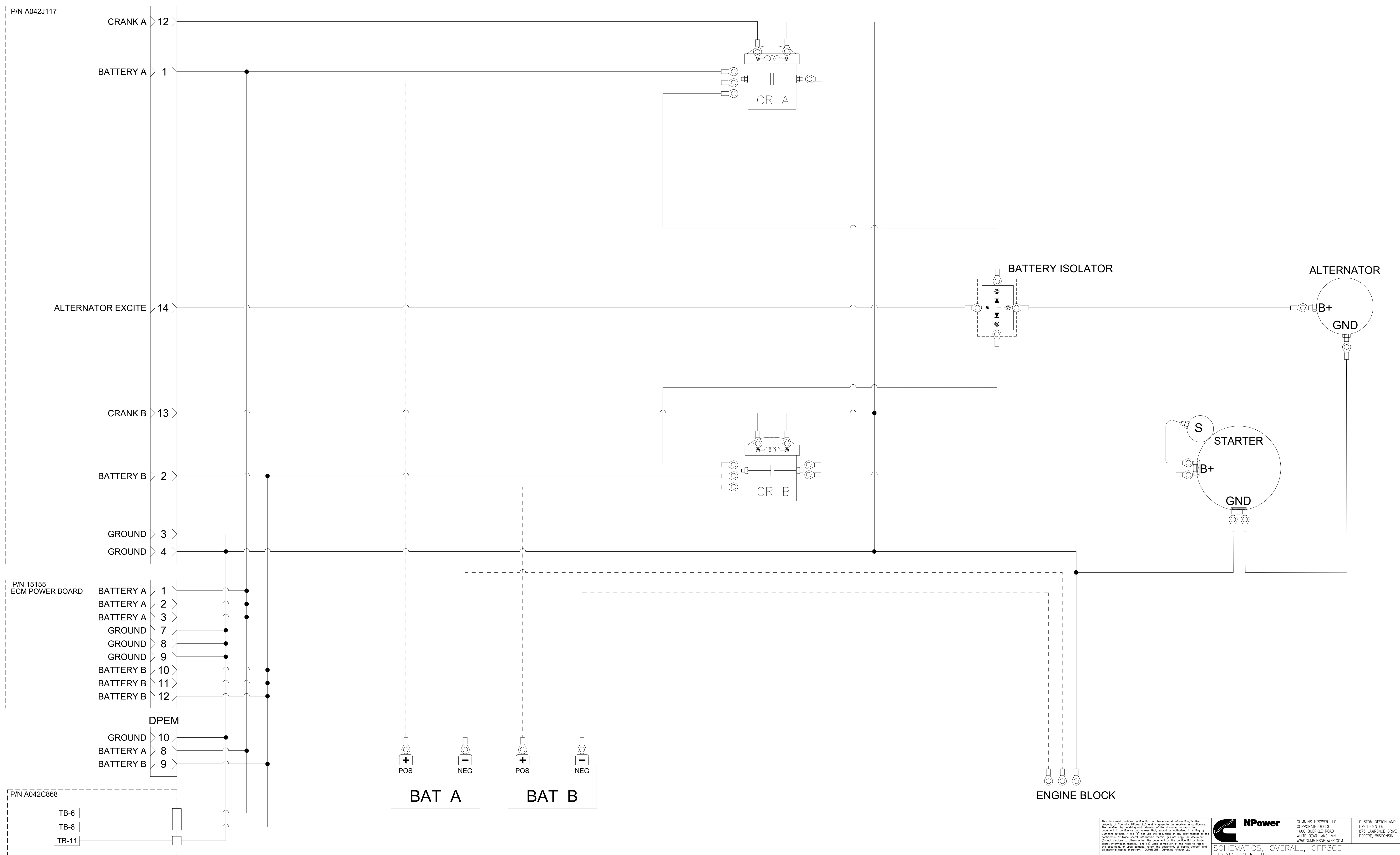
NPower
 CUMMINS NPOWER LLC
 CORPORATE OFFICE
 1600 BURNLEY ROAD
 WHITE BEAR LAKE, MN
 WWW.CUMMINSNPOWER.COM

CUSTOM DESIGN AND
 UPTI CENTER
 875 LAWRENCE DRIVE
 DEPERE, WISCONSIN

SCHEMATICS, OVERALL, CFP30E
 FPDF GEN II

UNLESS OTHERWISE SPECIFIED ALL DIMENSION TOLERANCES ARE	ANGULAR DIMENSIONS ± 1°	IMPERIAL UNITS	METRIC UNITS	DWG UNITS:	DRAWN BY: KAK	DATE: 16 JUNE 2017
THIRD ANGLE PROJECTION	INCH/LB/S	MM	INCH/LB/S	SCALE:	AUTO CAD	INIT ECO: 2017-379
EST WEIGHT:	SHEET 7 OF 8	DRAWING NO: A042J127				

A	2019-037	ADDED TB LEGEND, CORRECT SENSOR DISCONNECT CIRCUITRY	JF	24/JAN/2019
REV	ECO	DESCRIPTION OF REVISION	BY	DATE



This document contains confidential and trade secret information. It is the property of Cummins NPower LLC and is loaned to the receiver in confidence. The receiver, by receiving and retaining this document, accepts the responsibility to maintain and protect this information. It is not to be used, copied, or disseminated in any form without the written consent of Cummins NPower LLC. If you are not the intended recipient, you should not disseminate, distribute, or use this information. If you have received this document in error, please notify the sender immediately. This document is for internal use only. © 2017 Cummins NPower LLC. All rights reserved.

UNLESS OTHERWISE SPECIFIED ALL DIMENSION TOLERANCES ARE:

ANGULAR DIMENSIONS ± 1°	IMPERIAL UNITS	METRIC UNITS
THIRD ANGLE PROJECTION	0.005	0.125
	0.010	0.250
	0.015	0.375
	0.020	0.500
	0.030	0.750
	0.040	1.000
	0.050	1.250
	0.060	1.500
	0.070	1.750
	0.080	2.000
	0.090	2.250
	0.100	2.500

SCHEMATICS, OVERALL, CFP30E
FPDP GEN II

DWG UNITS: INCH/LB/S	DRAWN BY: KAK	DATE: 16 JUNE 2017
SCALE:	AUTO CAD	INIT ECO: 2017-379
EST WEIGHT:	SHEET 8 OF 8	DRAWING NO: A042J127

REV	ECO	DESCRIPTION OF REVISION	BY	DATE
A	2019-037	ADDED TB LEGEND, CORRECT SENSOR DISCONNECT CIRCUITY CORRECTED GSS SWITCH TO B+ AGLED SECOND STARTER	JF	24/JAN/2019