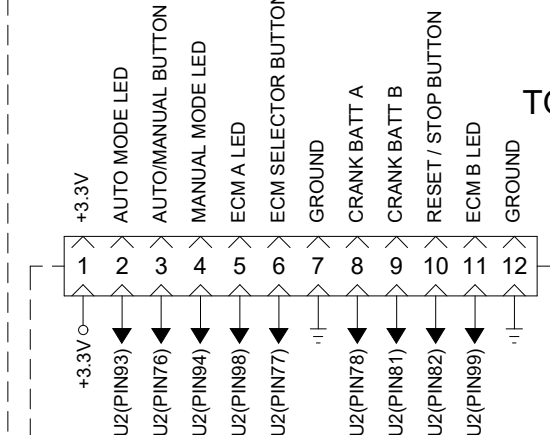


FPDP GEN II

CS P/N A042G184
SS P/N A042G186

TO OVERLAY



POWER

LED 1
HEARTBEAT
LED 2

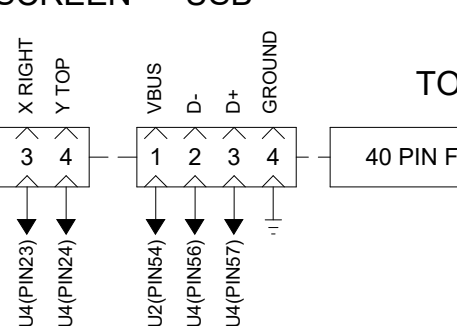
P/N A042G195

DISPLAY BOARD

TERMINAL BLOCK LEGEND

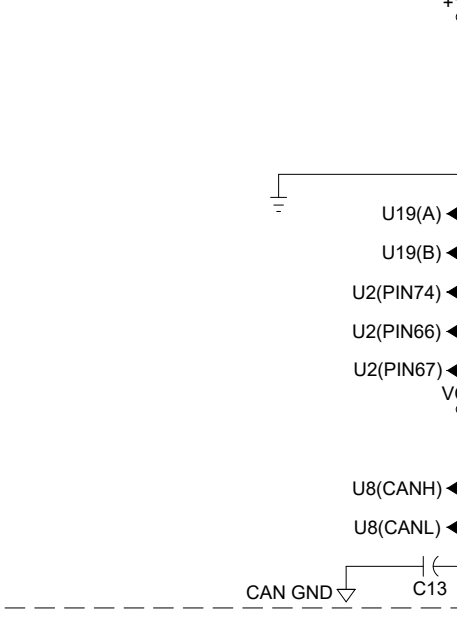
- TB1 AUTO/MANUAL
- TB2 CRANK TERMINATION SWITCH
- TB3 OVERSPEED SWITCH
- TB4 LOW LUBRICANT PRESSURE SWITCH
- TB5 HIGH ENGINE TEMPERATURE SWITCH
- TB6 BATTERY 1 POSITIVE
- TB8 BATTERY 2 POSITIVE
- TB9 MAIN BATTERY CONTACT 1 COIL
- TB10 MAIN BATTERY CONTACT 2 COIL
- TB11 COMMON BATTERY 1 AND 2 NEGATIVE
- TB301 ELECTRONIC CONTROL MODULE SWITCH
- TB302 FUEL INJECTION MALFUNCTION
- TB303 ELECTRONIC CONTROL MODULE WARNING
- TB304 ELECTRONIC CONTROL MODULE FAILURE
- TB310 RAW WATER HIGH INLET TEMPERATURE
- TB311 CLOGGED RAW WATER COOLANT LOOP STRAINER
- TB312 LOW ENGINE TEMPERATURE SWITCH

TO LCD TOUCHSCREEN



TO LCD

40 PIN FLEX CABLE



CAN GND

C13 R1

TO PUMP CONTROLLER

P/N A042G196

POWER BOARD



P/N A042G198



KEY / FSO

OVERVERRIDE SWITCH

ENGINE STOP

ECM OVERRIDE SWITCH

LED 19

U17(P5) LED 11

U17(P4) LED 11

U17(P5) LED 11

U17(P5) LED 11

U17(P5) LED 11

U17(P5) LED 11

U17(P5) LED 11

U17(P5) LED 11

U17(P5) LED 11

U17(P5) LED 11

U17(P5) LED 11

U17(P5) LED 11

U17(P5) LED 11

U17(P5) LED 11

U17(P5) LED 11

U17(P5) LED 11

U17(P5) LED 11

U17(P5) LED 11

U17(P5) LED 11

U17(P5) LED 11

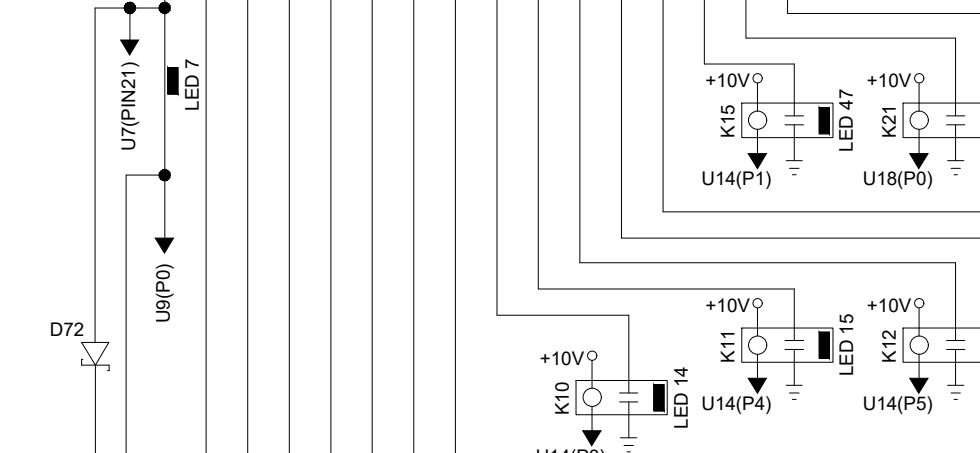
U17(P5) LED 11

U17(P5) LED 11

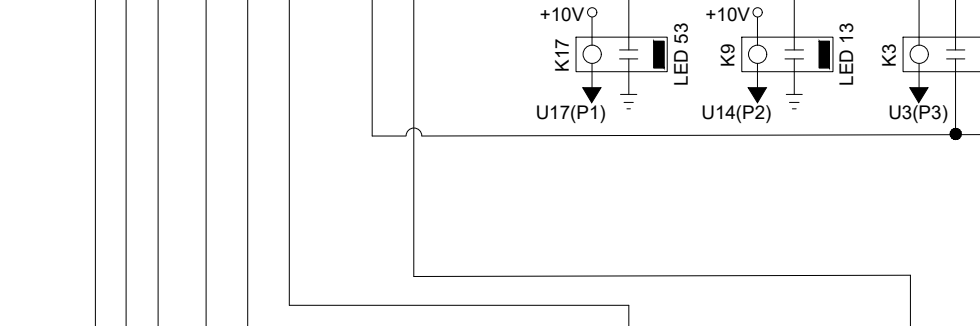
U17(P5) LED 11

P/N A042G197

BATTERY A



A059J726/A059J636



DPEM

BATTERY A

BATTERY B

GROUND

RS485 SHIELD

RS485+

RS485-

AUX INPUT 1

AUX INPUT 2

AUX INPUT 3

GROUND

ENERGIZE TO RUN

MAG PICK-UP

FUEL SHUT-OFF

OIL PRESSURE SENDER

WATER TEMPERATURE SENDER

GROUND

GROUND

GROUND

GROUND

GROUND

GROUND

GROUND

GROUND

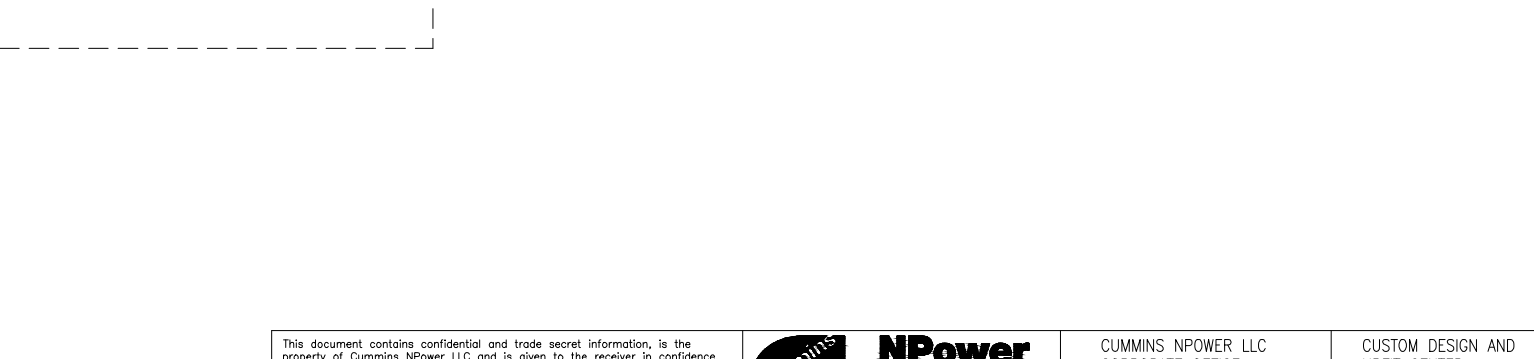
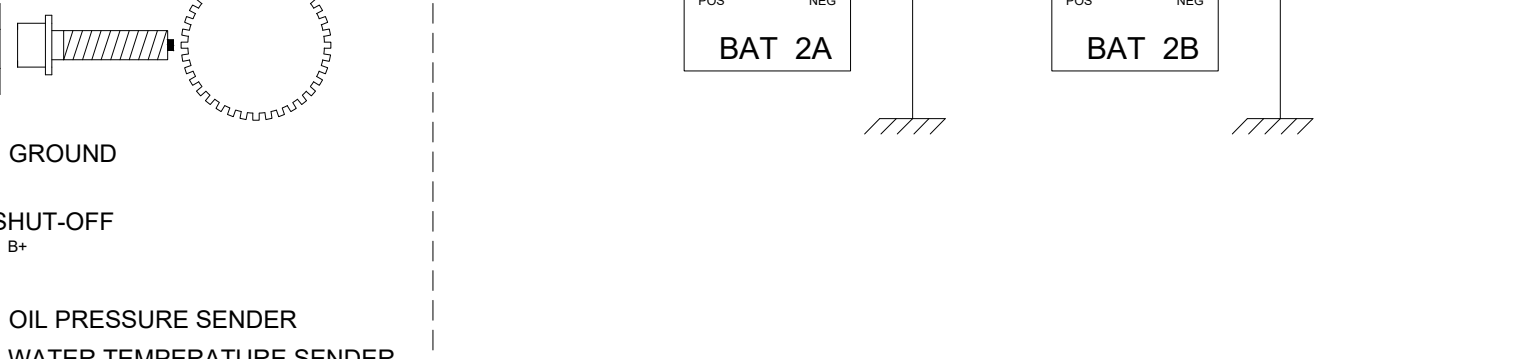
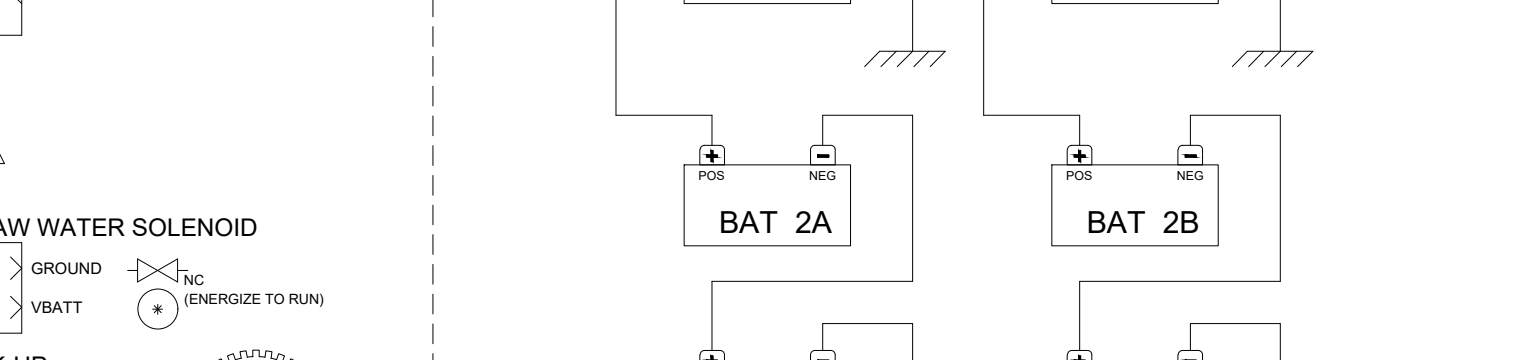
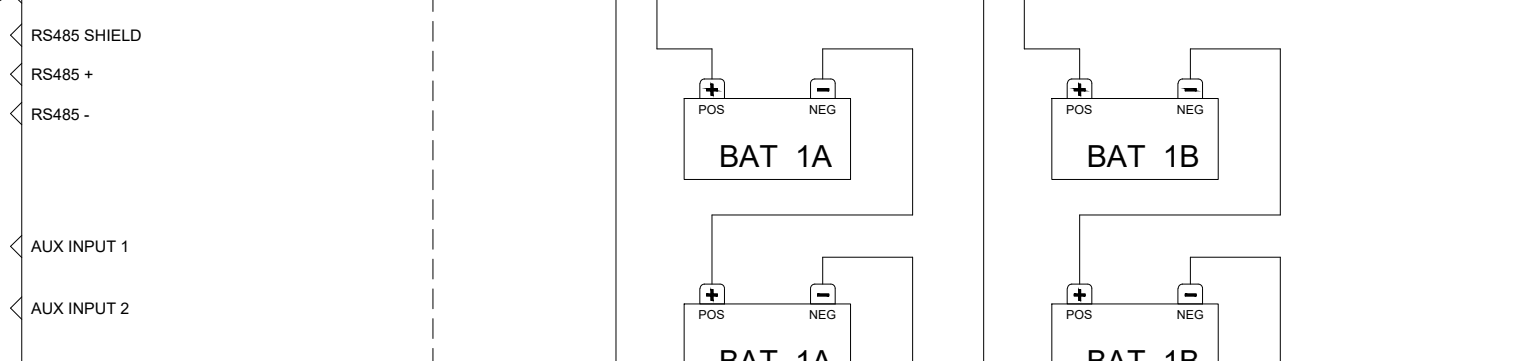
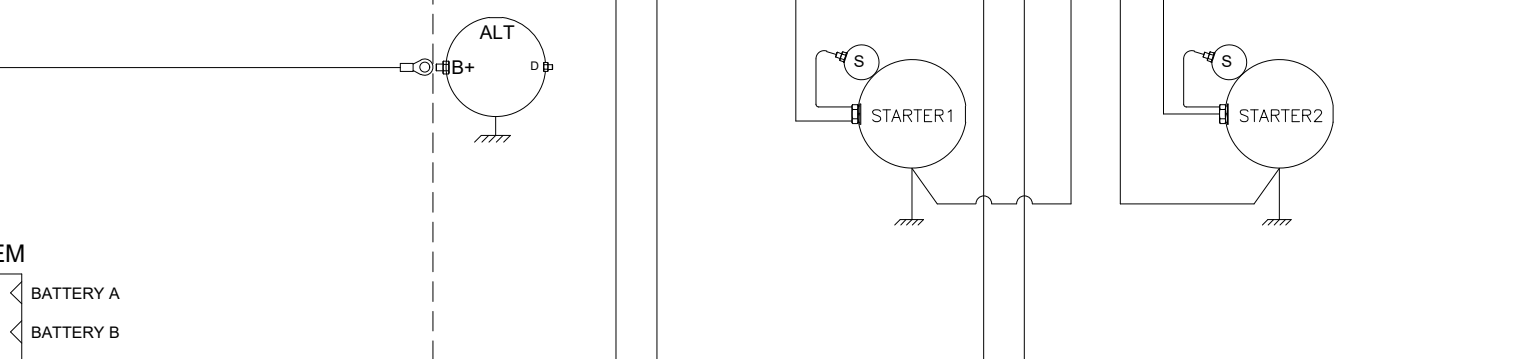
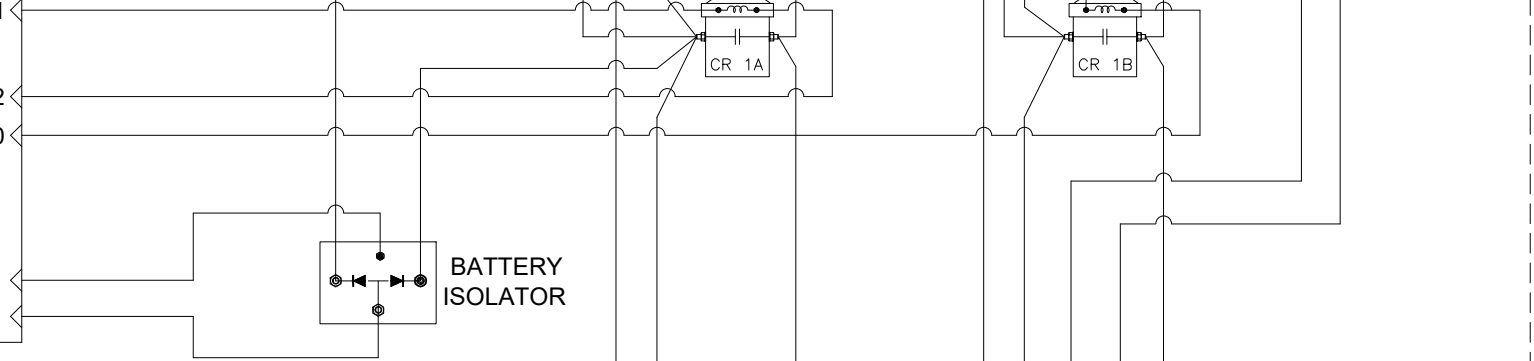
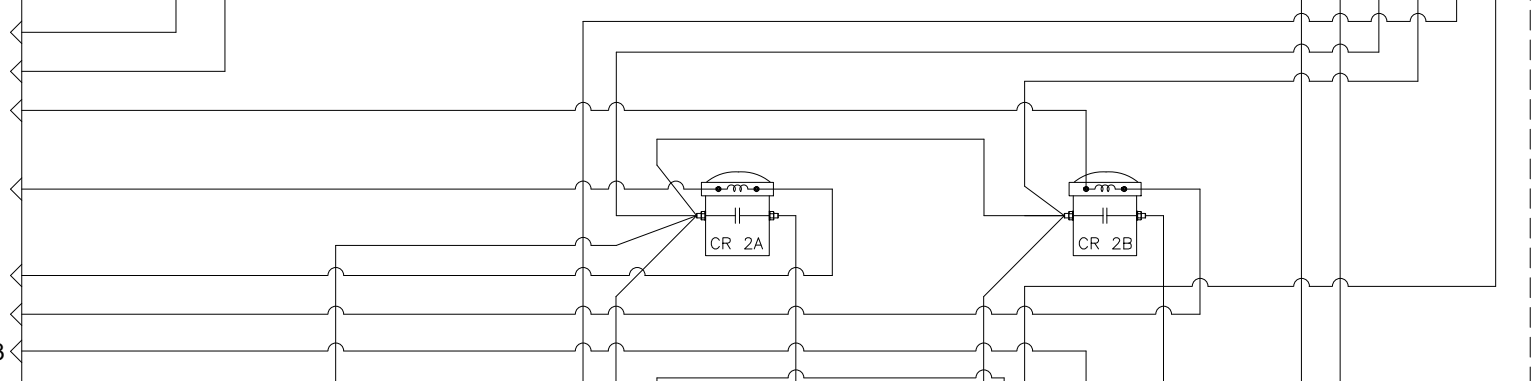
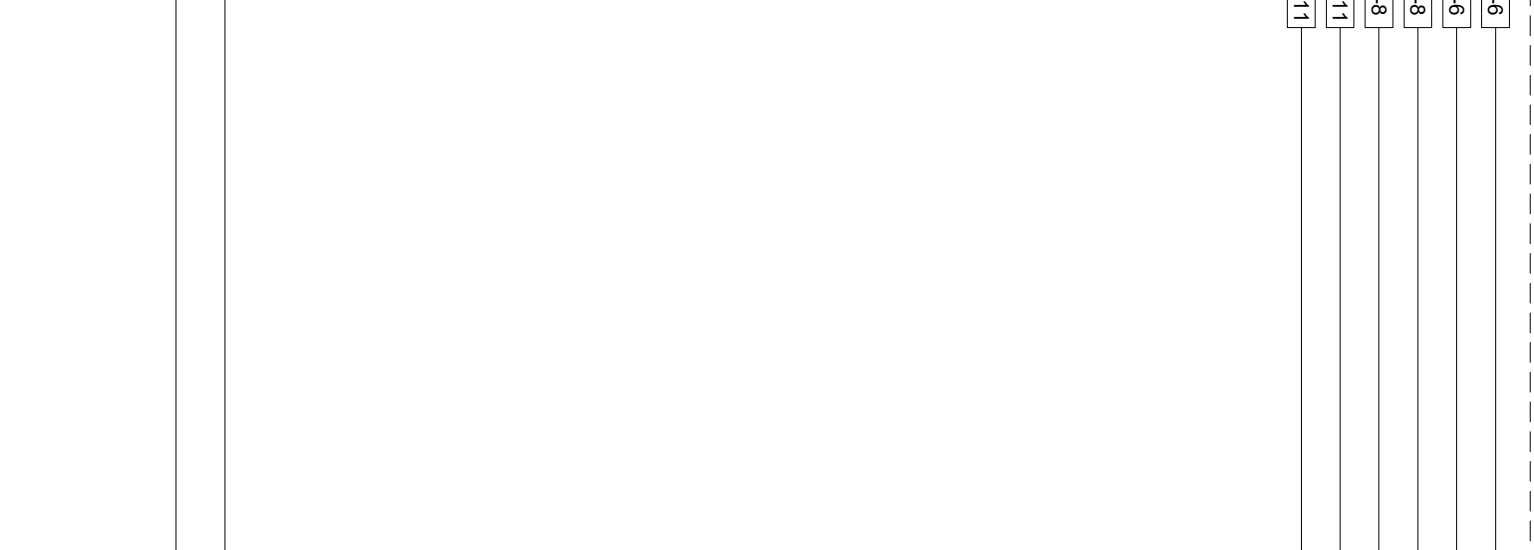
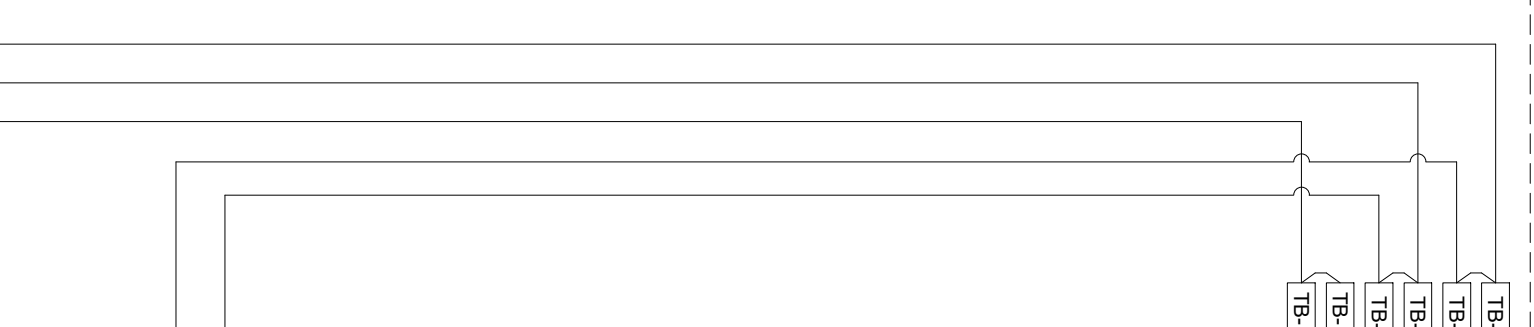
GROUND

GROUND

GROUND

GROUND

P/N A042B041/42



SCHEMATICS, OVERALL, CFP50
FPDP GEN II

UNLESS OTHERWISE SPECIFIED ALL DIMENSION TOLERANCES ARE:

ANGULAR DIMENSIONS ± 1°	IMPERIAL UNITS	METRIC UNITS
THIRD ANGLE PROJECTION	± 0.005	± 0.127
	± 0.010	± 0.254
	± 0.020	± 0.508
	± 0.030	± 0.762
	± 0.050	± 1.270
	± 0.075	± 1.905
	± 0.100	± 2.540

DATE: 22 NOV 2016
INIT ECO: 2016-694

DWG UNITS: INCH/LB/S
SCALE: SHEET 1 OF 2
EST WEIGHT:

DRAWN BY: KAK
AUTO CAD
SHEET 1 OF 2
DRAWING NO: A042J128

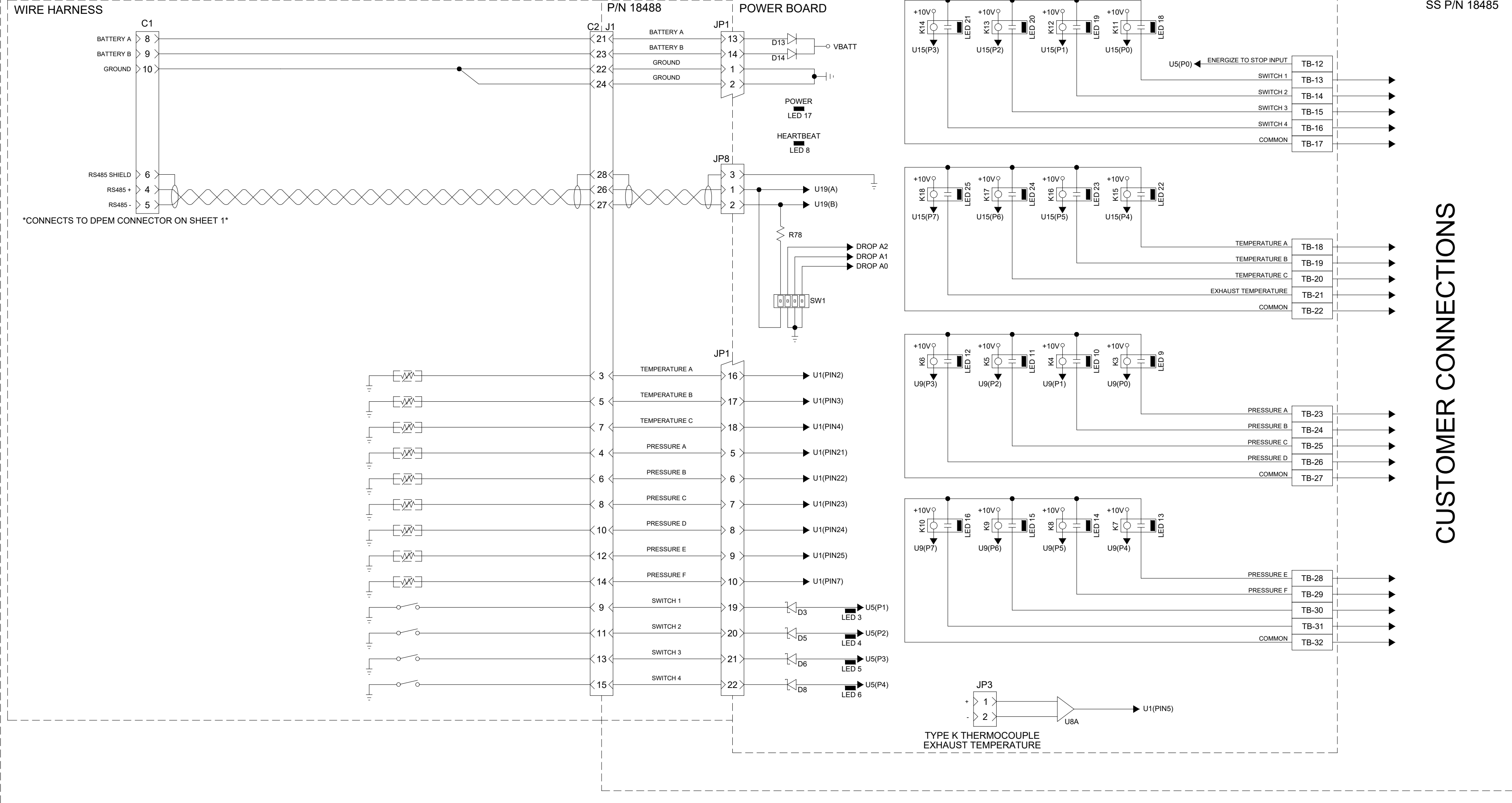
PROPERTY OF Cummins NPower LLC and is given to the receiver in confidence. The receiver by receiving and retaining of the document accepts the document is confidential and may not be disclosed or used for any other purpose without the express written consent of Cummins NPower LLC. If you are not the intended recipient, you should not disseminate, distribute or use this document. If you have received this document in error, please notify the sender immediately by e-mail at cumminsnpower.com. Do not copy, reproduce, or otherwise use this document without the express written consent of Cummins NPower LLC. All rights reserved. © 2016 Cummins NPower LLC.

CUMMINS NPower LLC
CORPORATE OFFICE
1600 BLUEVALE ROAD
WHITE BEAR LAKE, MN
WWW.CUMMINSNPOWER.COM

CUSTOM DESIGN AND
UPFIT CENTER
875 LAWRENCE DRIVE
DEPUE, WISCONSIN

REV	ECO	DESCRIPTION OF REVISION	BY	DATE
B	2019-097	CORRECTED ENGINE INTERFACE HARNESS P/N, REMOVED REMOVED COOLING LOOP SENSORS	JF	28FEB2019
A	2019-037	CORRECTED OVER SWITCH TO B+	JF	24JAN2019

DPEM OPTION



CUSTOMER CONNECTIONS

<small>This document contains confidential and trade secret information. It is the property of Cummins NPower LLC and is given to the receiver in confidence. The receiver, by receiving and retaining of the document, accepts the document in confidence and agrees not to disclose it without the written consent of Cummins NPower. It will (1) not use the document or any copy thereof or the contents or trade secret information therein; (2) not copy the document; (3) not disclose to others either the document or the confidential or trade secret information therein; and (4) upon completion of the work to return the document, or upon demand, shall be destroyed. All rights reserved, and all material copied herefrom. ©2016 Cummins NPower LLC.</small>			
Cummins NPower CUMMINS NPOWER LLC CORPORATE OFFICE 1600 BLUEVALE ROAD WHITE BEAR LAKE, MN WWW.CUMMINSNPOWER.COM		CUSTOM DESIGN AND UPTI CENTER 875 LAWRENCE DRIVE DEPERE, WISCONSIN	
SCHEMATICS, OVERALL, CFP50 FPDP GEN II			
UNLESS OTHERWISE SPECIFIED ALL DIMENSION TOLERANCES ARE: ANGULAR DIMENSIONS ± 1° THIRD ANGLE PROJECTION	IMPERIAL UNITS FRACTIONS DECIMALS MILLIMETERS DECIMALS	METRIC UNITS FRACTIONS DECIMALS MILLIMETERS DECIMALS	DWG UNITS: INCH/LB/S AUTO CAD SCALE: EST WEIGHT:
DRAWN BY: KAK DATE: 22 NOV 2016	INIT ECO: 2016-694		SHEET 2 OF 2 DRAWING NO: A042J128

REV	ECO	DESCRIPTION OF REVISION	BY	DATE
B	2019-097	CORRECTED ENGINE INTERFACE HARNESS P/N, REMOVED REMOVED COOLING LOOP SENSORS	JF	28FEB2019
A	2019-037	CORRECTED ODS SWITCH TO B+	JF	24JAN2019