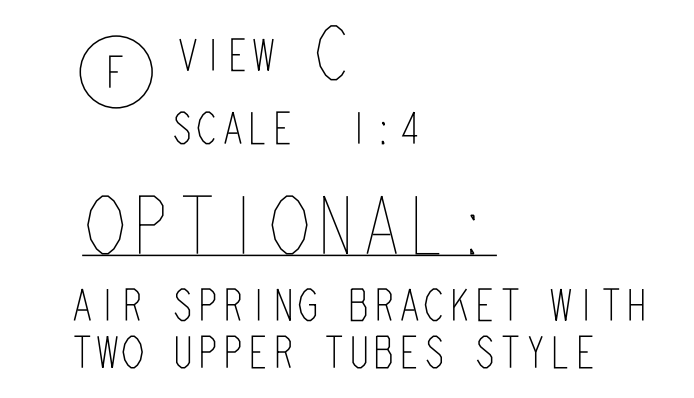
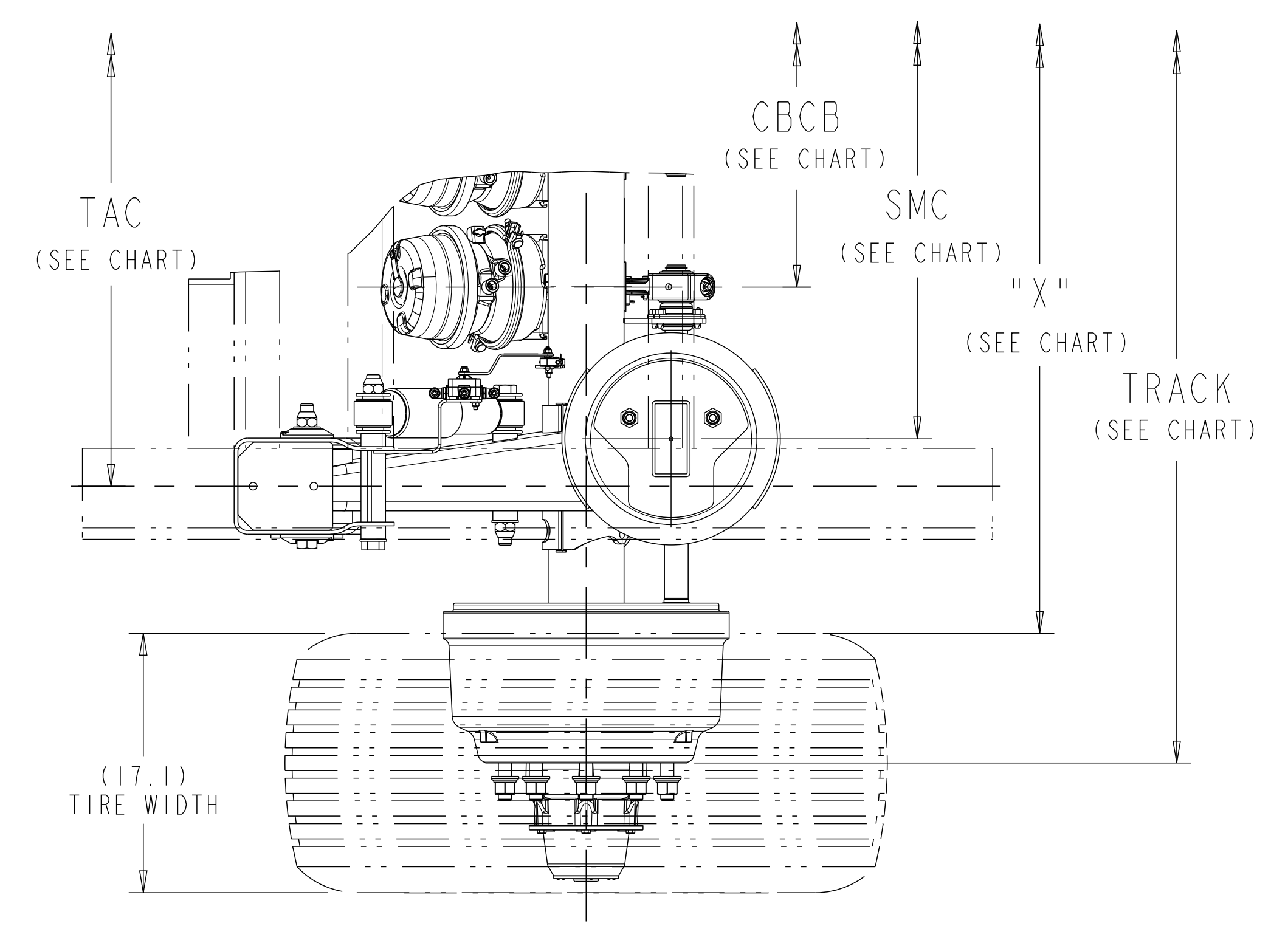
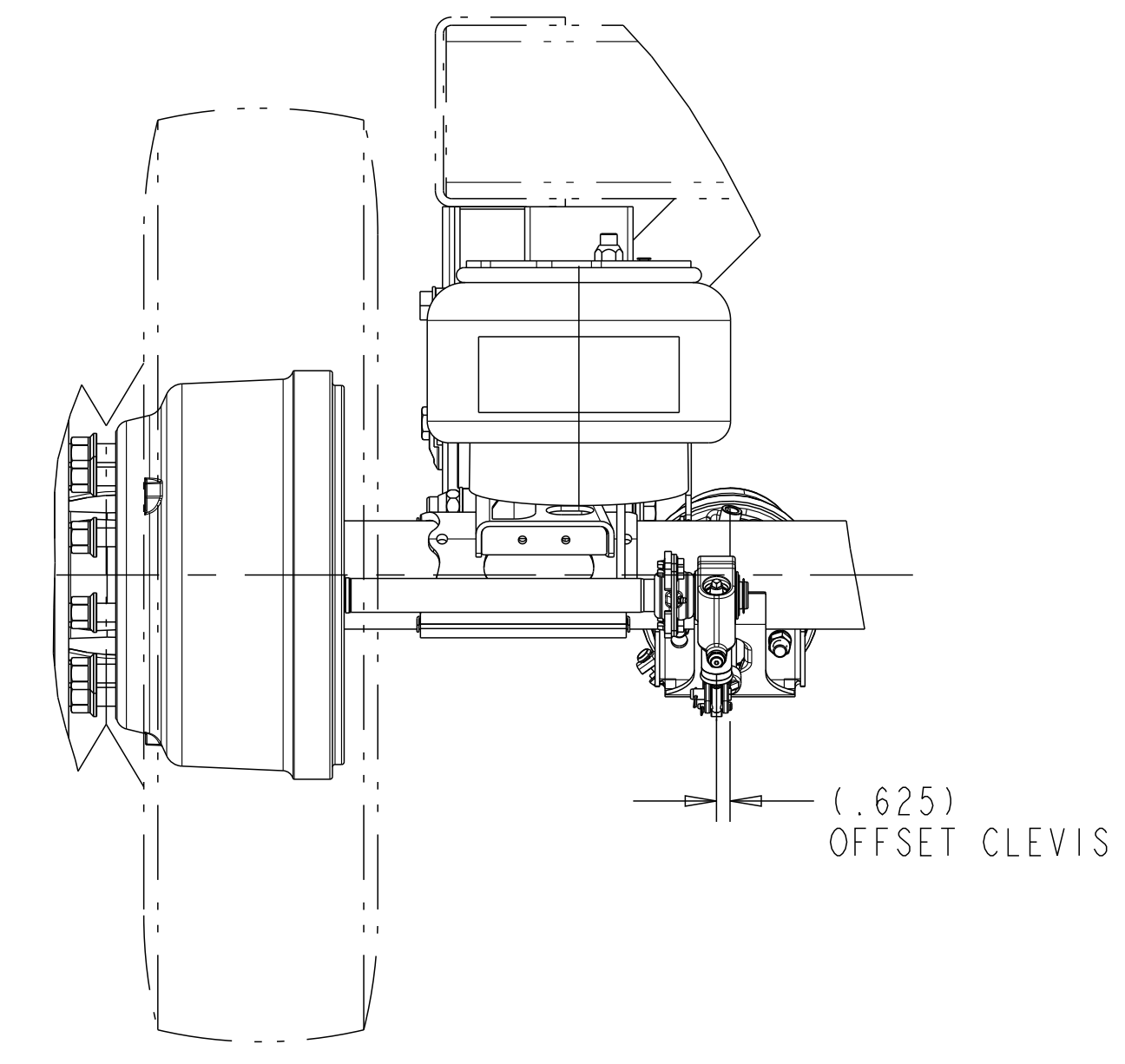
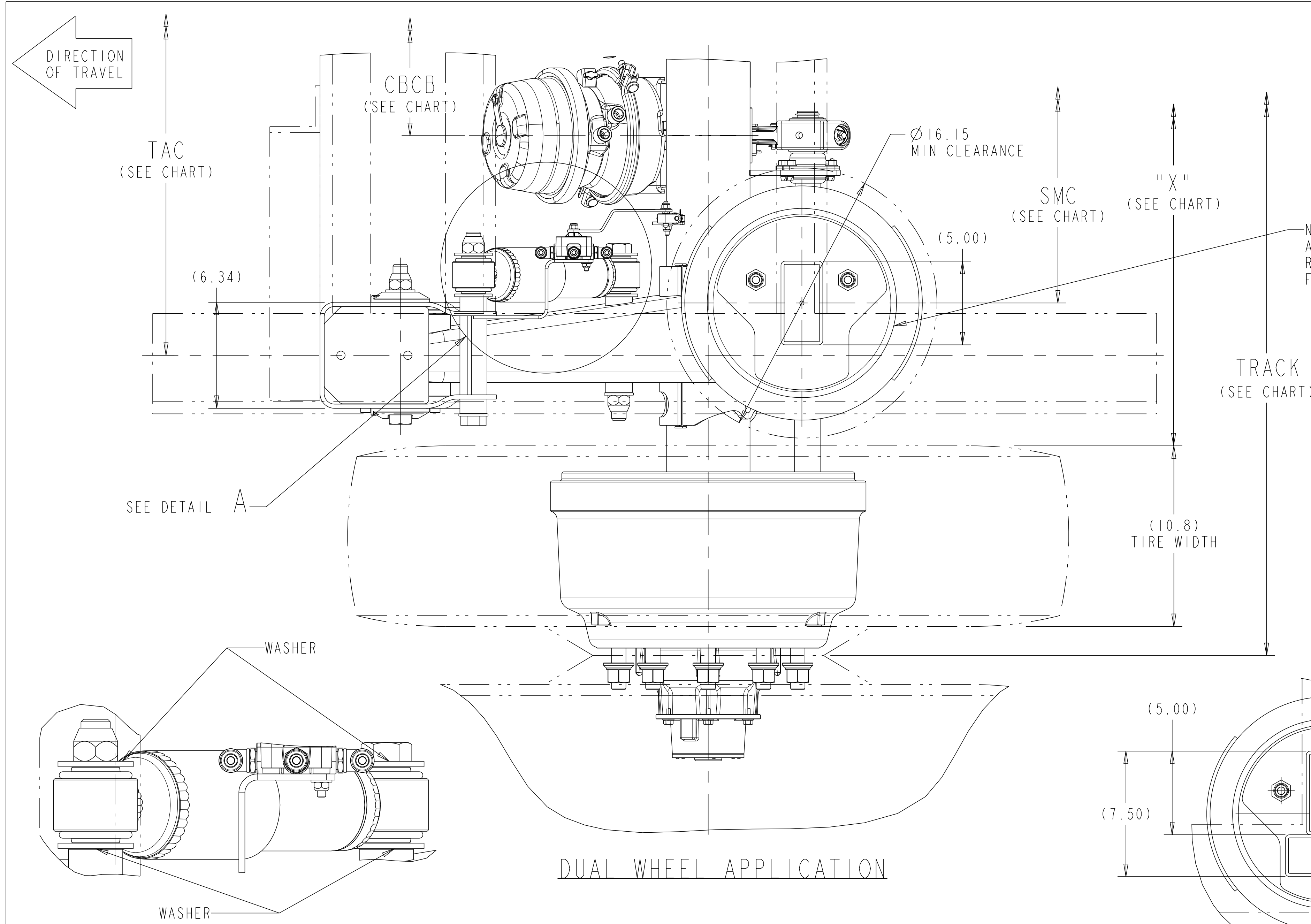


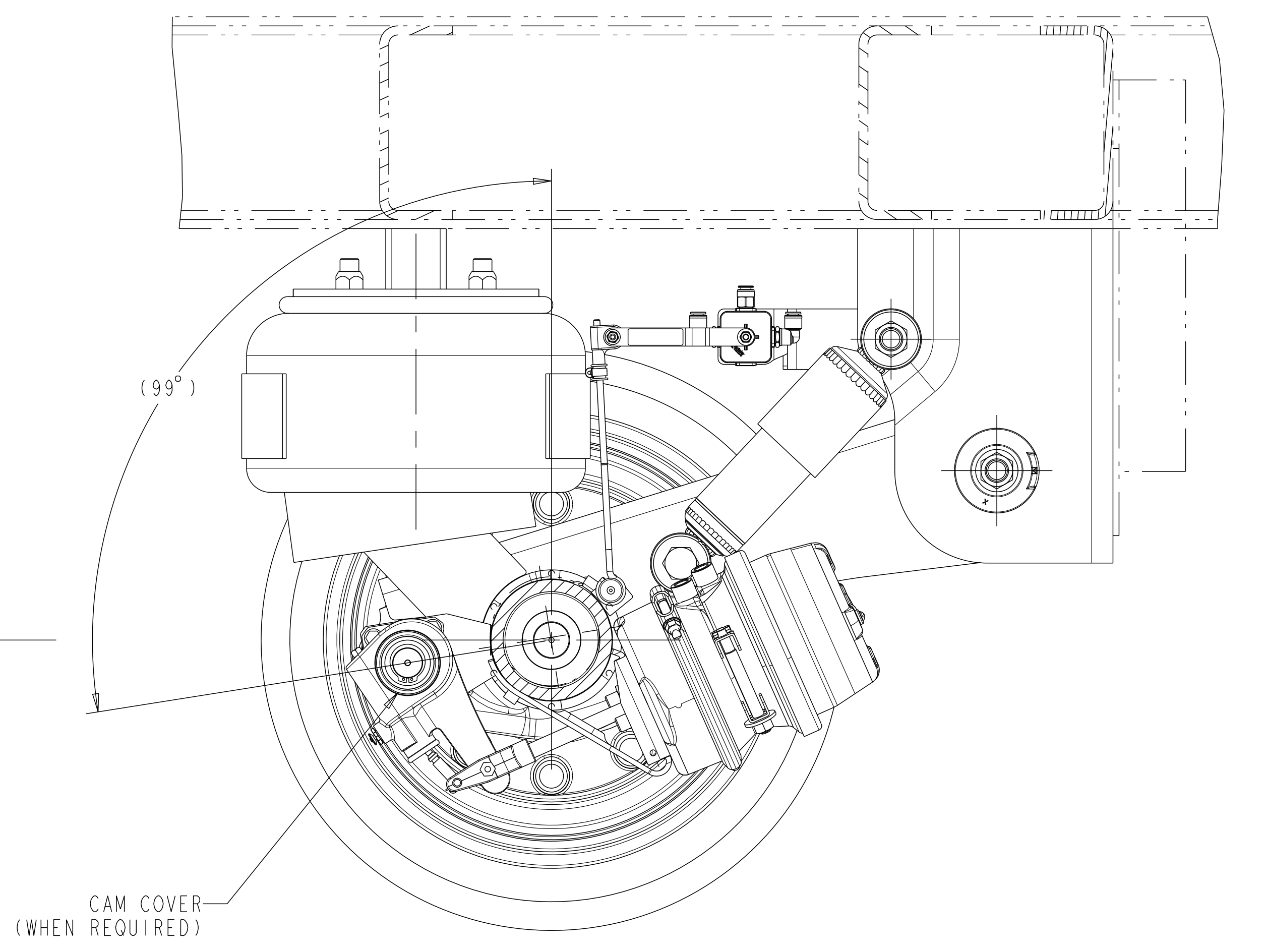
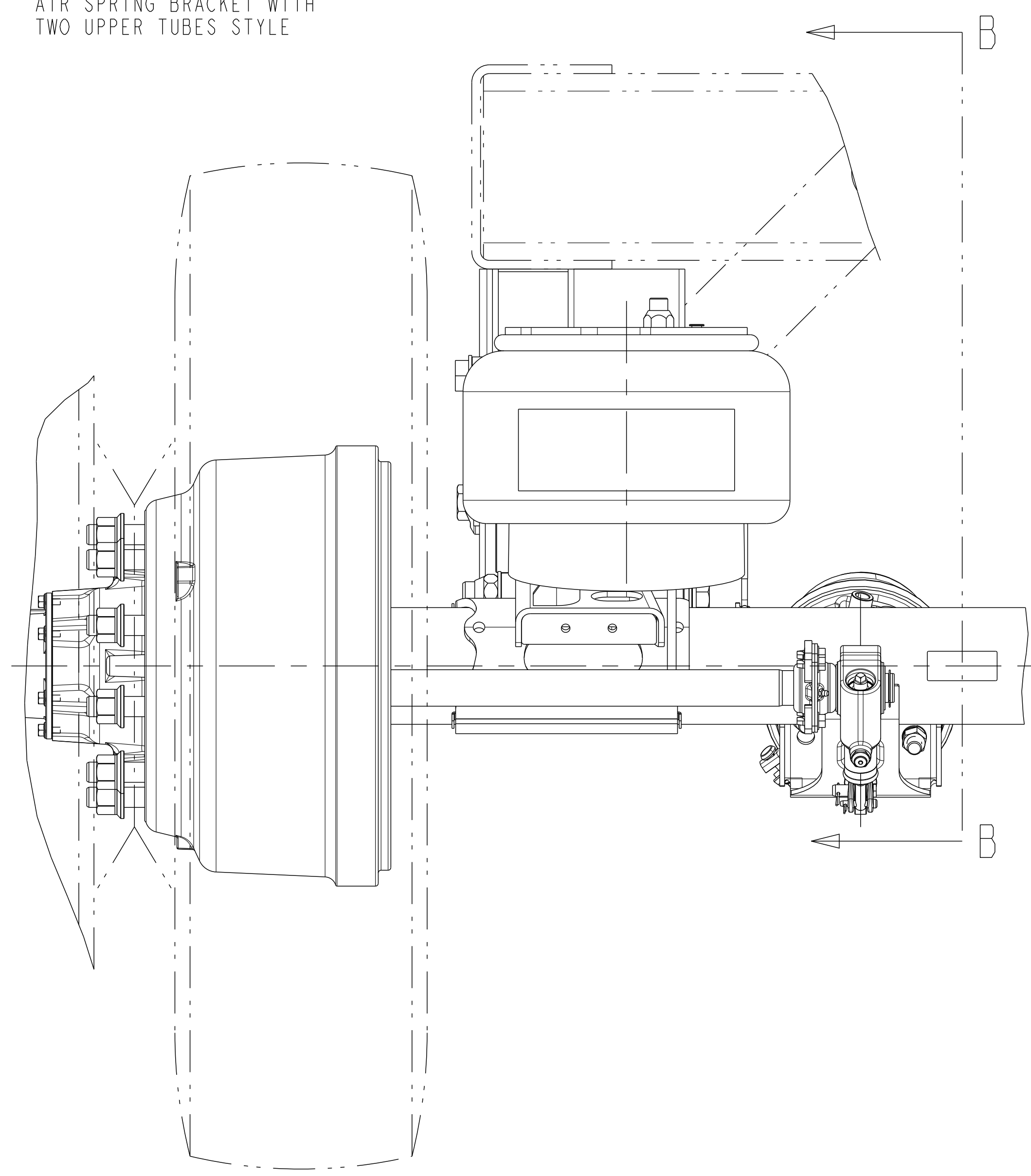
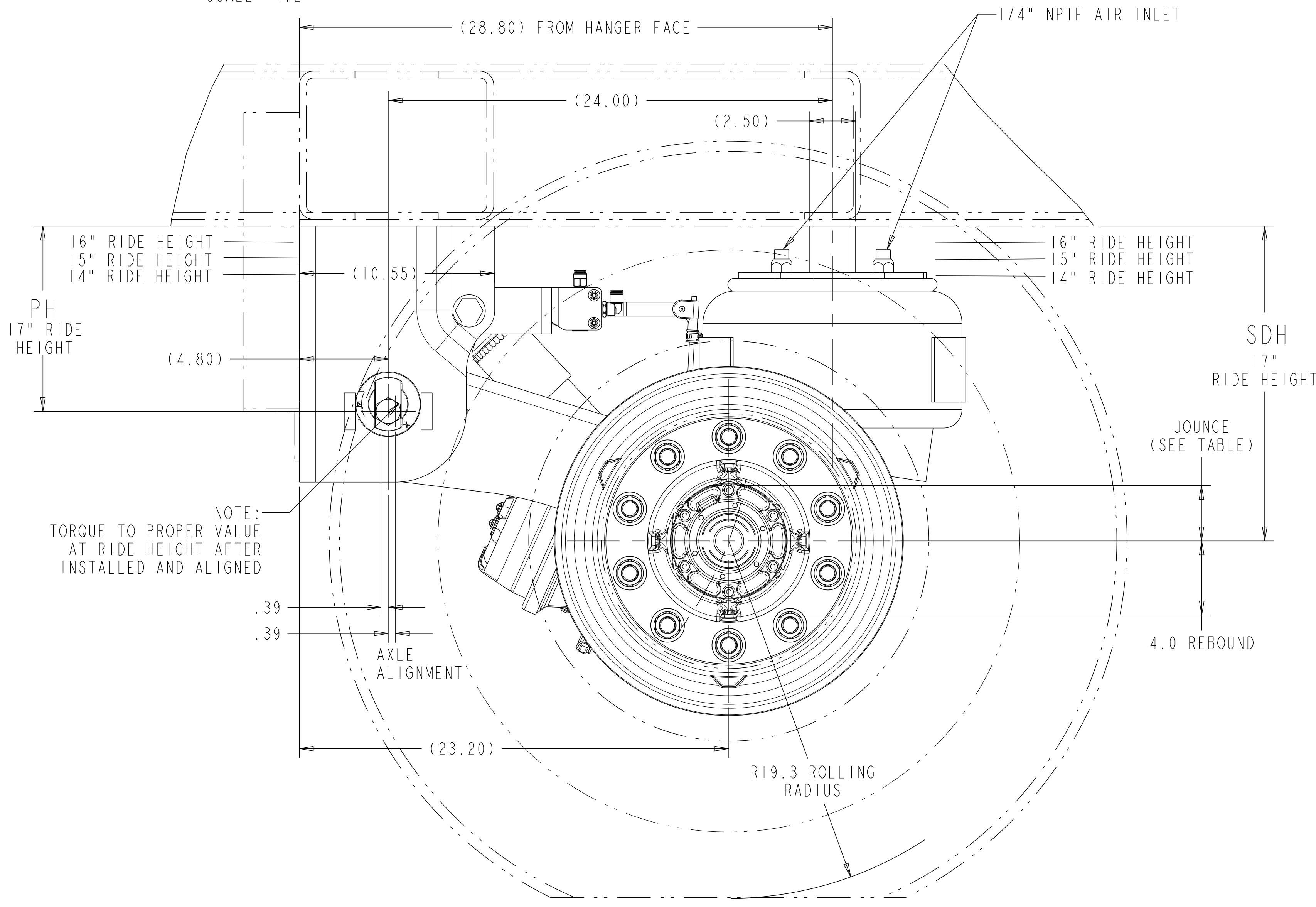
SIM. PARTS			
5-66240A_01			
REVISIONS			
A	RELEASED 5-66734M_01 FOR PRODUCTION.	109888 09/24/10	CH HN
B	SHOP CHART WAS 4-60559_09	115433 04/27/11	CH SS
C	WAS 1/2" FROM TOOLING HOLE	116459 10/10/11	CH SS
D	ADDED PAGE-2 WITH CAMS FRONT DETAILS.	117696 29-Mar-12	DP SVM
E	ADDED AIR CHAMBER PORT LOCATION NOTE	123868 04-Apr-14	SD RS
F	ADDED OPTIONAL VIEW "C"	ECN-132874 25-May-16	OL SD
G	UPDATED RHCV REPRESENTATION	ECN-165357 30-JUL-20	EN SD

APPLICATION	STD TRACK REF	CAM CLOCKING	"X" REF	CBCB REF	SMC	TAC
DUAL WHEEL	77.5	BAR-99°	52.4	14.71	34.75	41.0
DUAL WHEEL	71.5	BAR-99°	46.4	8.71	28.75	35.0
● SUPER SINGLE	83.5	BAR-99°	66.4	20.71	40.75	47.0



TYP. SHOCK INSTALLATION
 (SHOCK TO BE INSTALLED BEFORE AIR CHAMBER)

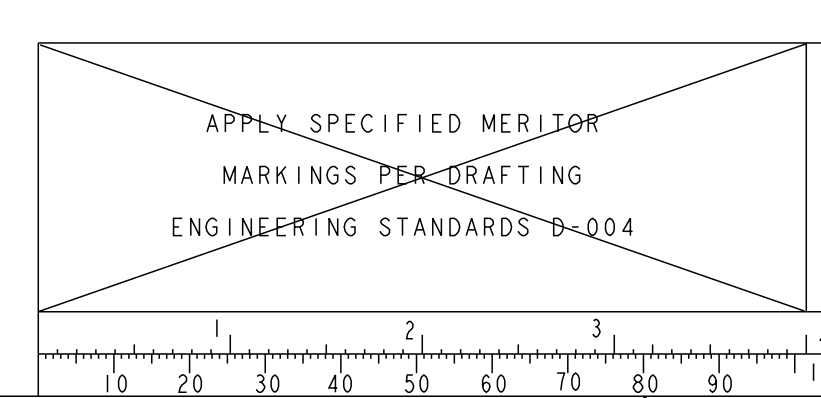
DETAIL A
 SCALE 1:2



PH	SDH	RIDE HEIGHT	OUNCE
7.0	14.0	14"	3.0
8.0	15.0	15"	3.2
9.0	16.0	16"	3.2
10.0	17.0	17"	3.2

NOTES:
 5.75 LONG PUSH ROD REQUIRED.
 PROPER VEHICLE FRAME DESIGN IN THE AREA OF SUSPENSION ATTACHMENT IS THE RESPONSIBILITY OF THE INSTALLER.
 SUSPENSION SERIES: MTA25T
 SUSPENSION STATIC DESIGN CAPACITY = 25,000 LBS
 ● RATING BASED ON APPLICATION APPROVAL
 RATINGS FOR THE COMPONENTS WITHIN AN INDIVIDUAL MERITOR SUPPLIED SUSPENSION ASSEMBLY, INCLUDING BRAKES, HUBS, AND BEARINGS, MAY VARY AND MAY NOT BE EQUAL TO THE NOMINAL SUSPENSION RATING.
 ○ NO WELDING OR DRILLING ALLOWED ON TRAILING ARMS NO WELD WITHIN .25" OF FRAME BRACKET TOOLING HOLES

FOR FINAL INSTALLATION TO TRAILER REFER TO 5-66733E.01
 REFER TO SHOP CHART 4-60559_36 FOR TORQUE INFORMATION
 DATA BASED ON:
 DUAL: TIRE SIZE: 11R22.5
 WHEEL OFFSET: 6.62
 SINGLE: TIRE SIZE: 445/50R22.5
 WHEEL OFFSET: .56



FOR AIR CHAMBER PORT LOCATION SEE LAYOUT 4-40072_01

MATERIAL		SEE BILL OF MATERIAL FOR SPECIFIC INDIVIDUAL MODEL INFORMATION	
PROJ. ENG.	MATERIAL	SPECIAL	APPROVED
H.N.	C.H.	H.N.	C.H.
08-Jul-09	08-Jul-09	08-Jul-09	08-Jul-09
C.F./T.E. NO.		SCALE	
APP. NO.		1:4	
PCCR 117265		DESIGN CONTROL GROUP	
W.W. TRAILER PRODUCTS		PART NO.	

109888	PART/DWG NO. 5-66734M-01	EDC 00050
RELEASE	NAME MTA25T SERIES SUSP. GROUP	PAGE 1 OF 2
		INCH

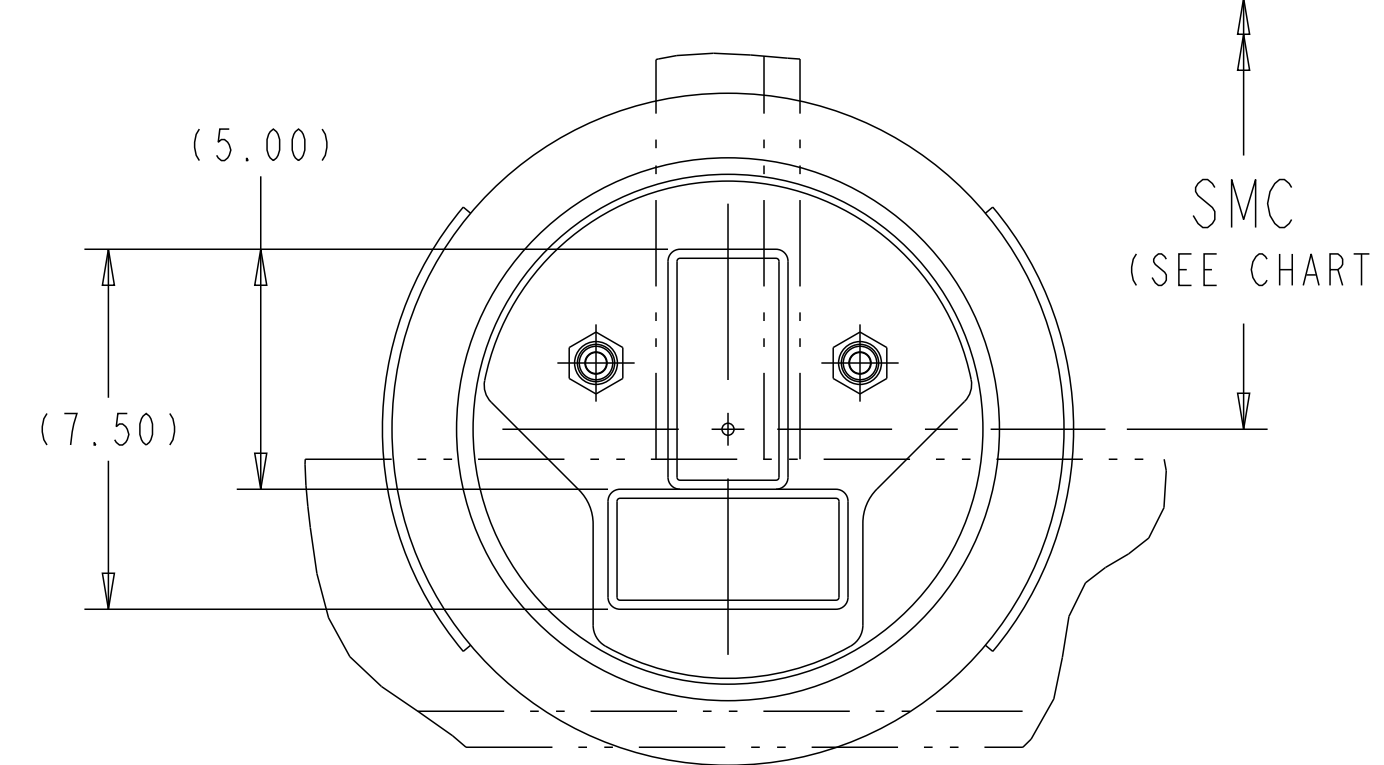
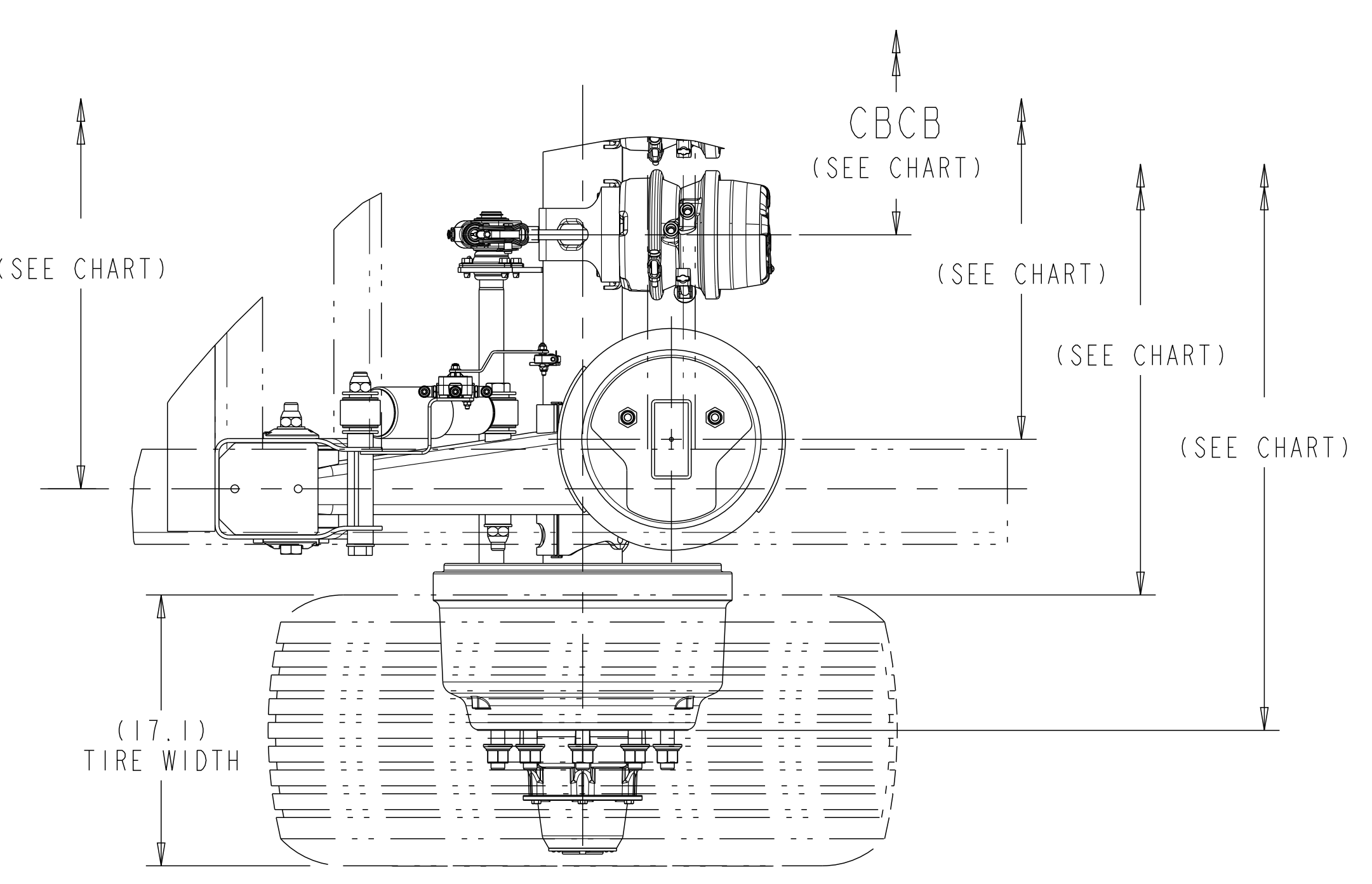
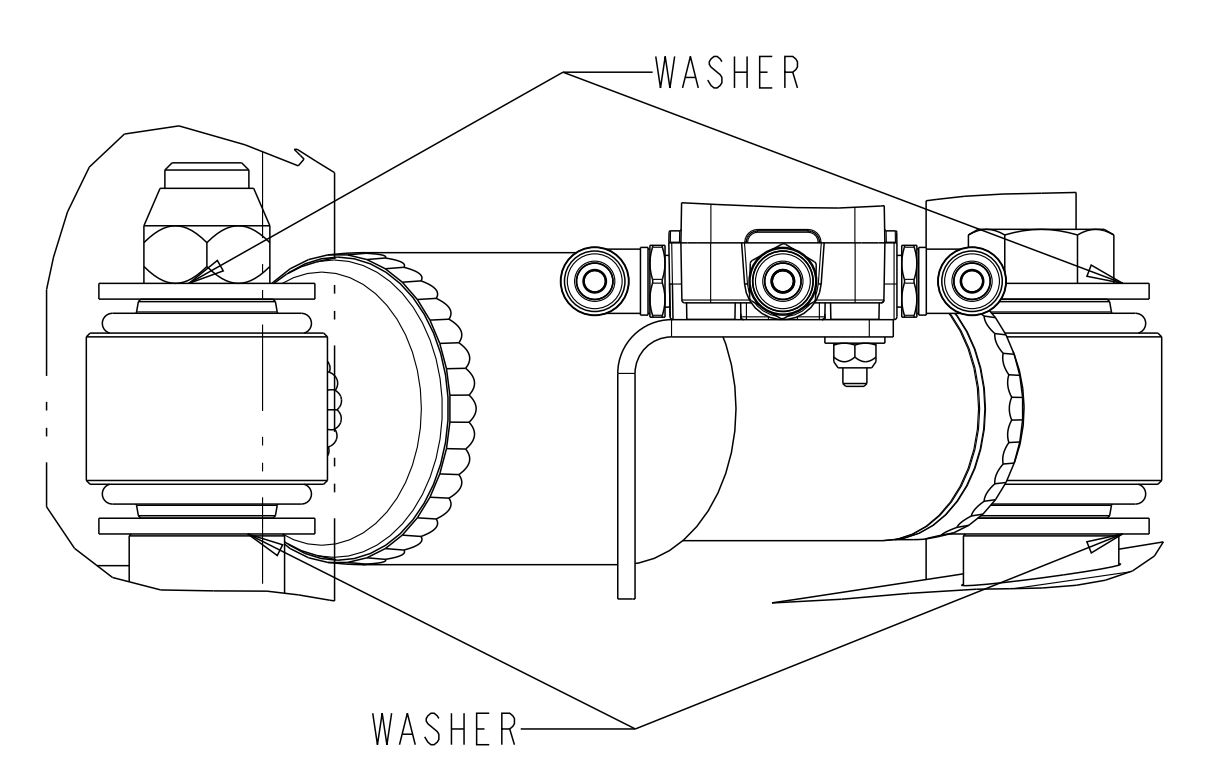
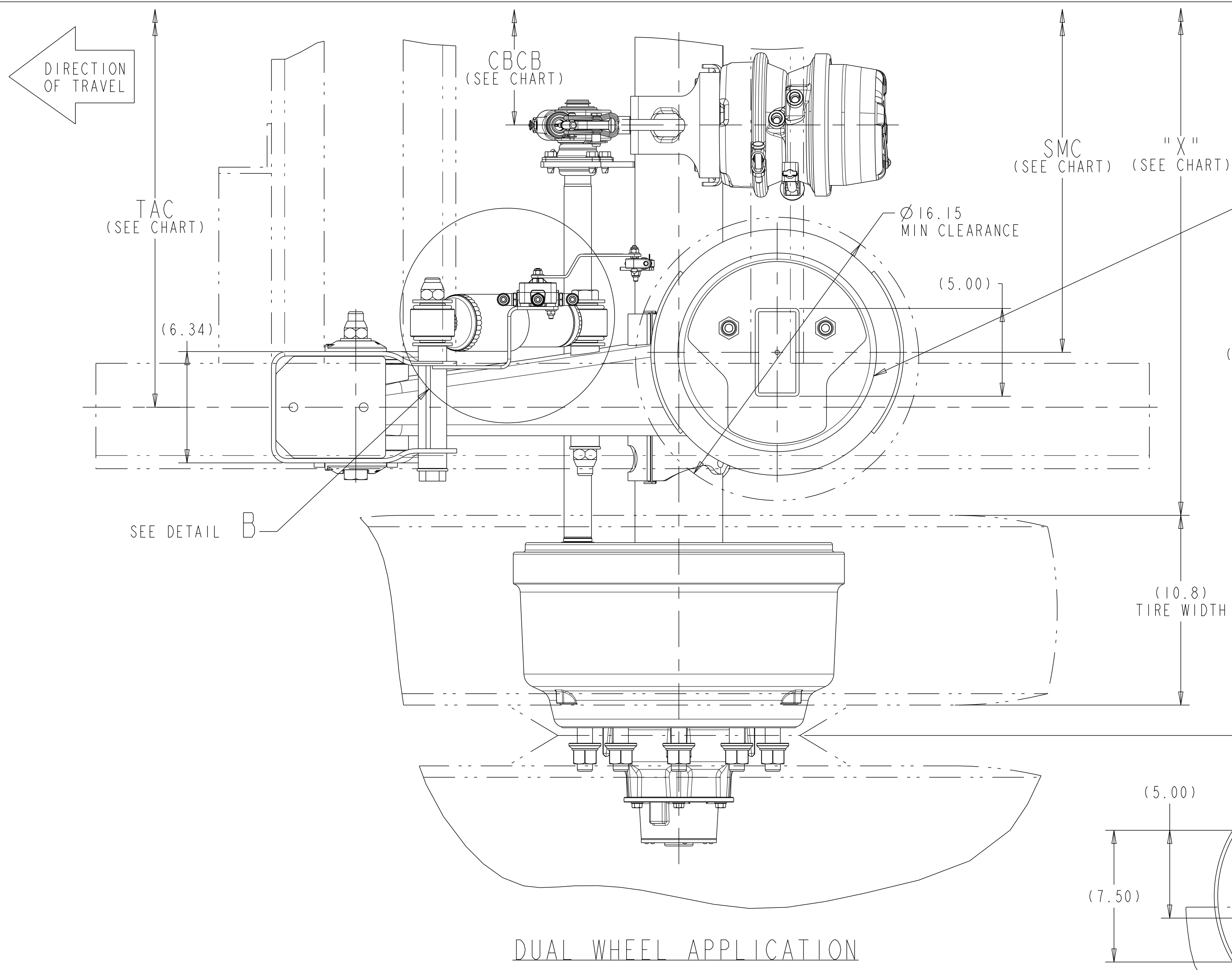
DO NOT CHANGE MANUALLY

FOR CAMS FRONT DETAILS SEE PAGE 2

CAD FILES	
NAME	TYPE
5-66734M G.9	DRAWING
5-66734M G.9	MODEL

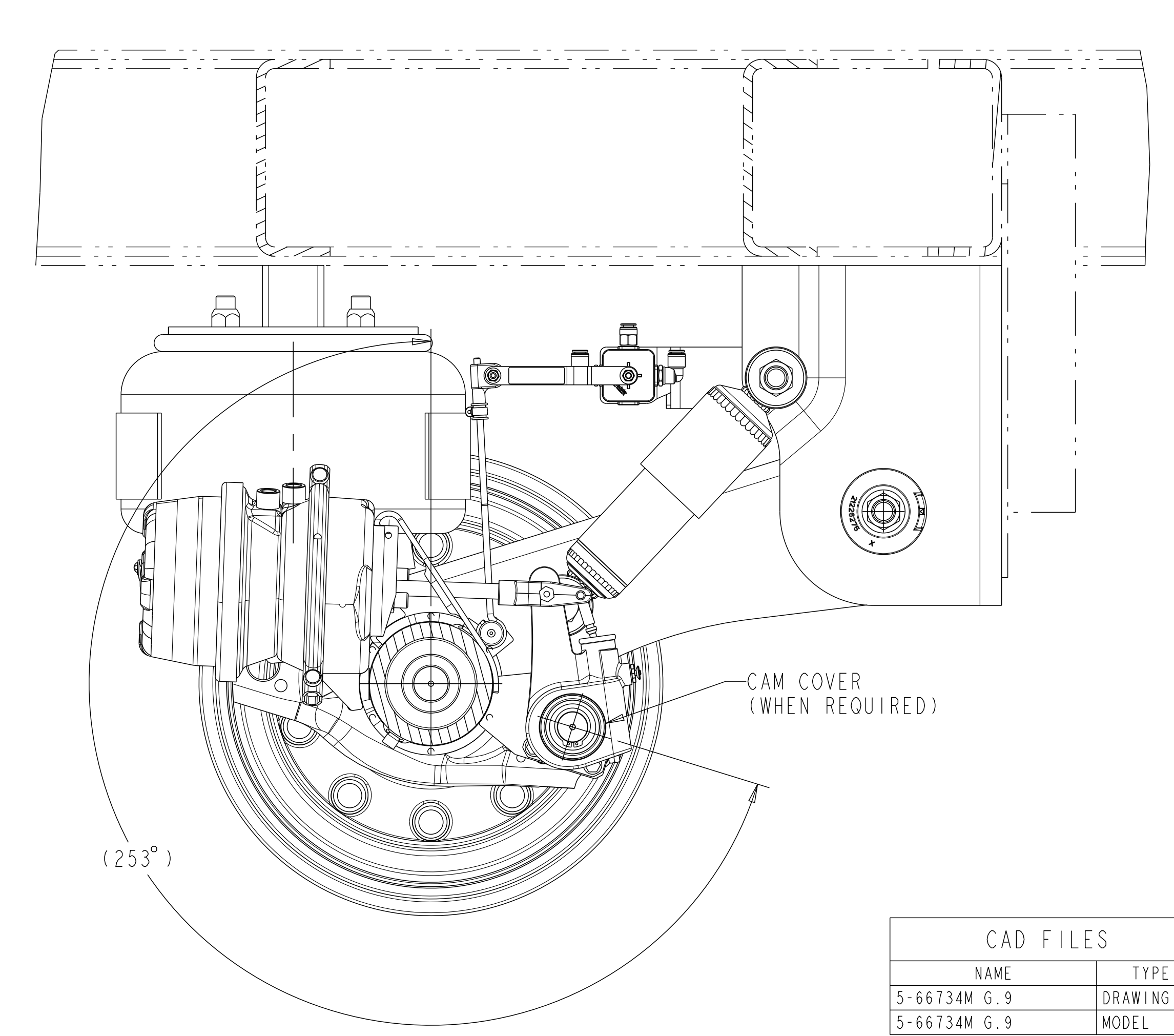
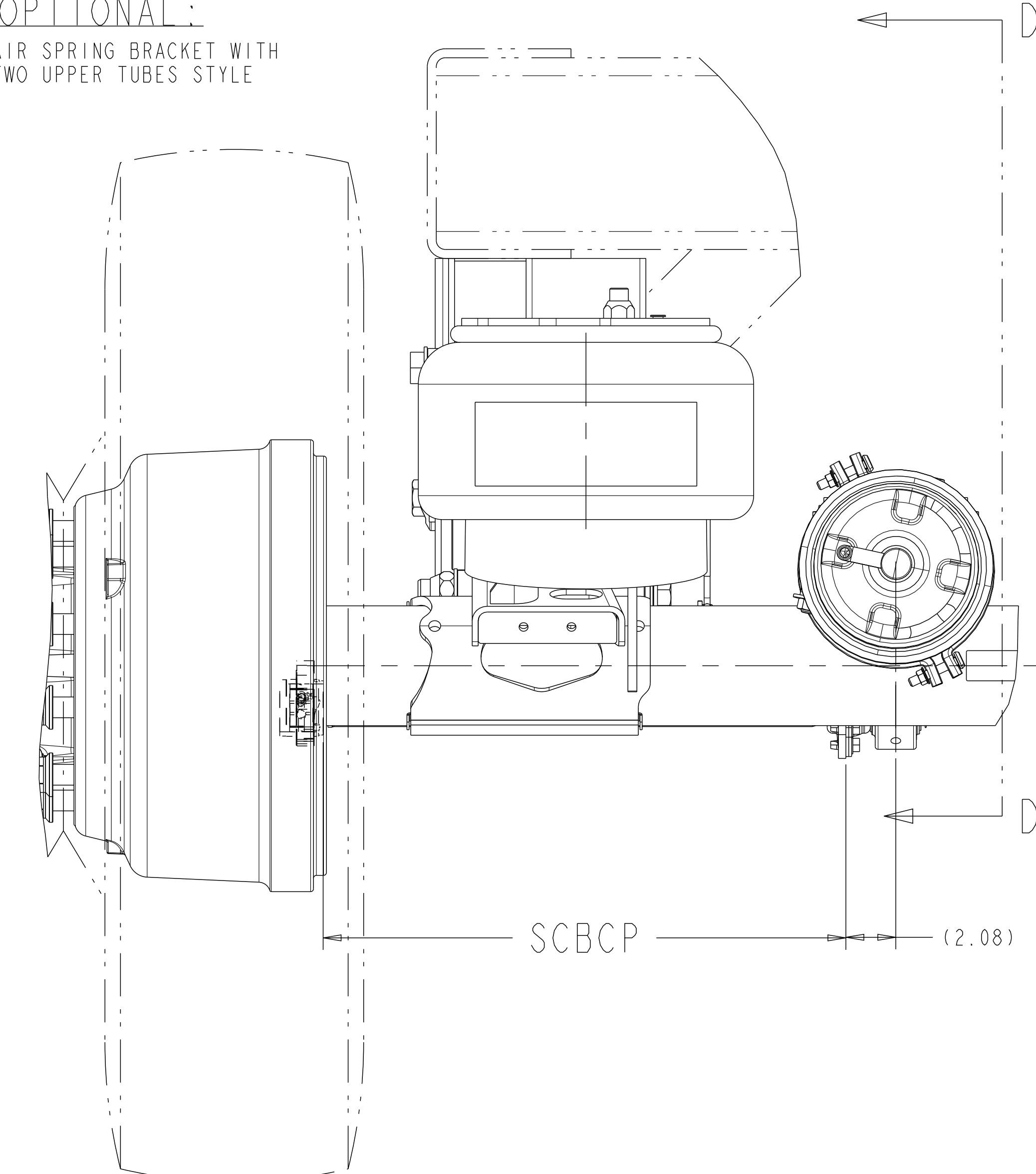
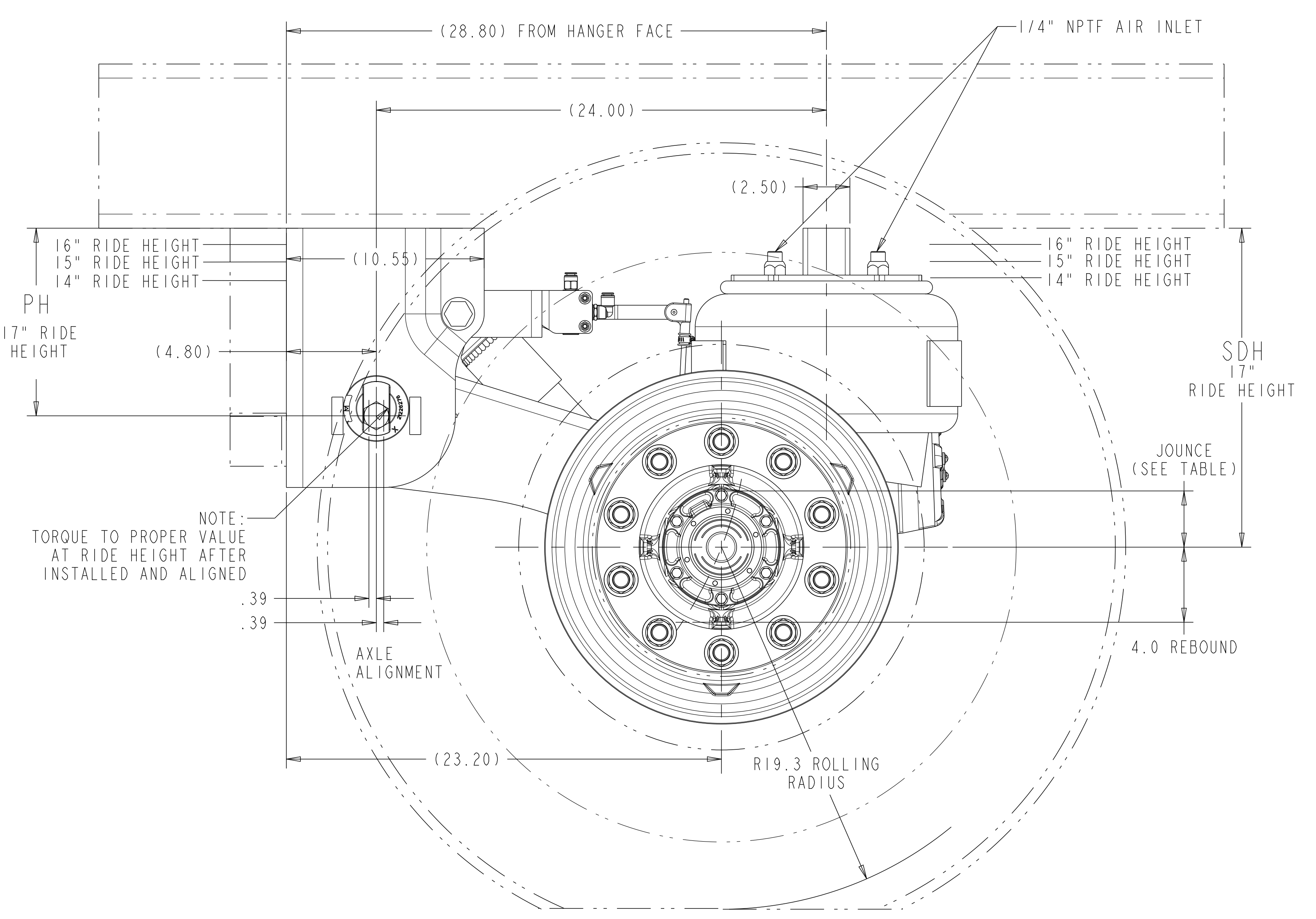
SIM PARTS			
5-66240A_01			
REVISIONS			
D	ADDED PAGE-2 WITH CAMS FRONT DETAILS.	117696 29-Mar-12	DP SVM
E	ADDED AIR CHAMBER PORT LOCATION NOTE.	123868 04-Apr-14	SD RS
F	ADDED OPTIONAL VIEW "E"	ECN-132874 24-May-16	OL SD
G	UPDATED RHCV REPRESENTATION	ECN-165357 30-JUL-20	EN SD

APPLICATION	STD TRACK REF	CAM CLOCKING	"X" REF	CBCB REF	SMC	TAC
DUAL WHEEL	77.5 MIN	BAF-253°	52.4	8.89	34.75	41.0
● SUPER SINGLE	83.5	BAF-253°	66.4	14.89	40.75	47.0



DUAL WHEEL APPLICATION

OPTIONAL:
AIR SPRING BRACKET WITH TWO UPPER TUBES STYLE



CAD FILES	
NAME	TYPE
5-66734M G.9	DRAWING
5-66734M G.9	MODEL

NOTES:
5.75 LONG PUSH ROD REQUIRED.
PROPER VEHICLE FRAME DESIGN IN THE AREA OF SUSPENSION ATTACHMENT IS THE RESPONSIBILITY OF THE INSTALLER.
SUSPENSION SERIES: MTA25T
SUSPENSION STATIC DESIGN CAPACITY = 25,000 LBS
● RATING BASED ON APPLICATION APPROVAL
RATINGS FOR THE COMPONENTS WITHIN AN INDIVIDUAL MERITOR SUPPLIED SUSPENSION ASSEMBLY, INCLUDING BRAKES, HUBS, AND BEARINGS, MAY VARY AND MAY NOT BE EQUAL TO THE NOMINAL SUSPENSION RATING.
NO WELDING OR DRILLING ALLOWED ON TRAILING ARMS
NO WELD WITHIN .25" OF FRAME BRACKET TOOLING HOLES

FOR FINAL INSTALLATION TO TRAILER REFER TO 5-66733E_01
REFER TO SHOP CHART 4-60559_36 FOR TORQUE INFORMATION
DATA BASED ON:
DUAL: TIRE SIZE: 11R22.5
WHEEL OFFSET: 6.62
SINGLE: TIRE SIZE: 445/50R22.5
WHEEL OFFSET: .56

RESTRICTIONS FOR CAMS FRONT APPLICATION:
1. MINIMUM TRACK VALUE SHOULD BE 77.5"
2. LIFT KIT CANNOT BE PACKAGED
3. MINIMUM SCBCP VALUE SHOULD BE 21.83"

● FOR AIR CHAMBER PORT LOCATION SEE LAYOUT 4-40072_01

PH	SDH	RISE HEIGHT	JOUNCE
7.0	14.0	14"	3.0
8.0	15.0	15"	3.2
9.0	16.0	16"	3.2
10.0	17.0	17"	3.2

APPLY SPECIFIED MERITOR MARKINGS PER DRAFTING ENGINEERING STANDARDS 0-004

THIS PRINT IS LOANED ON A CONFIDENTIAL BASIS SUBJECT TO RETURN UPON DEMAND BY MERITOR AND NOTHING HEREON MAY BE REPRODUCED, USED OR DISCLOSED IN WHOLE OR IN PART WITHOUT THE PRIOR WRITTEN PERMISSION OF MERITOR.

MATERIAL:
PROCESS:
INQUIRY NO.:
C.F./T.E. NO.:
APP. NO.:

SEE BILL OF MATERIAL FOR SPECIFIC INDIVIDUAL MODEL INFORMATION

APPROVED:
SPECIAL:
DRAWN BY: S.V.M.
CHECKED BY: D.P.
12-Mar-12

3RD ANGLE PROJECTION

DRAWING SIZE: E

SCALE: 1:4

DESIGN CONTROL GROUP: W.W. TRAILER PRODUCTS

PART NO.: MTA25T

117696 PART/DWG NO. 5-66734M-01 EDC 00050

RELEASE NAME MTA25T SERIES SUSP. GROUP PAGE 2 OF 2

MERITOR INCH

DO NOT CHANGE MANUALLY