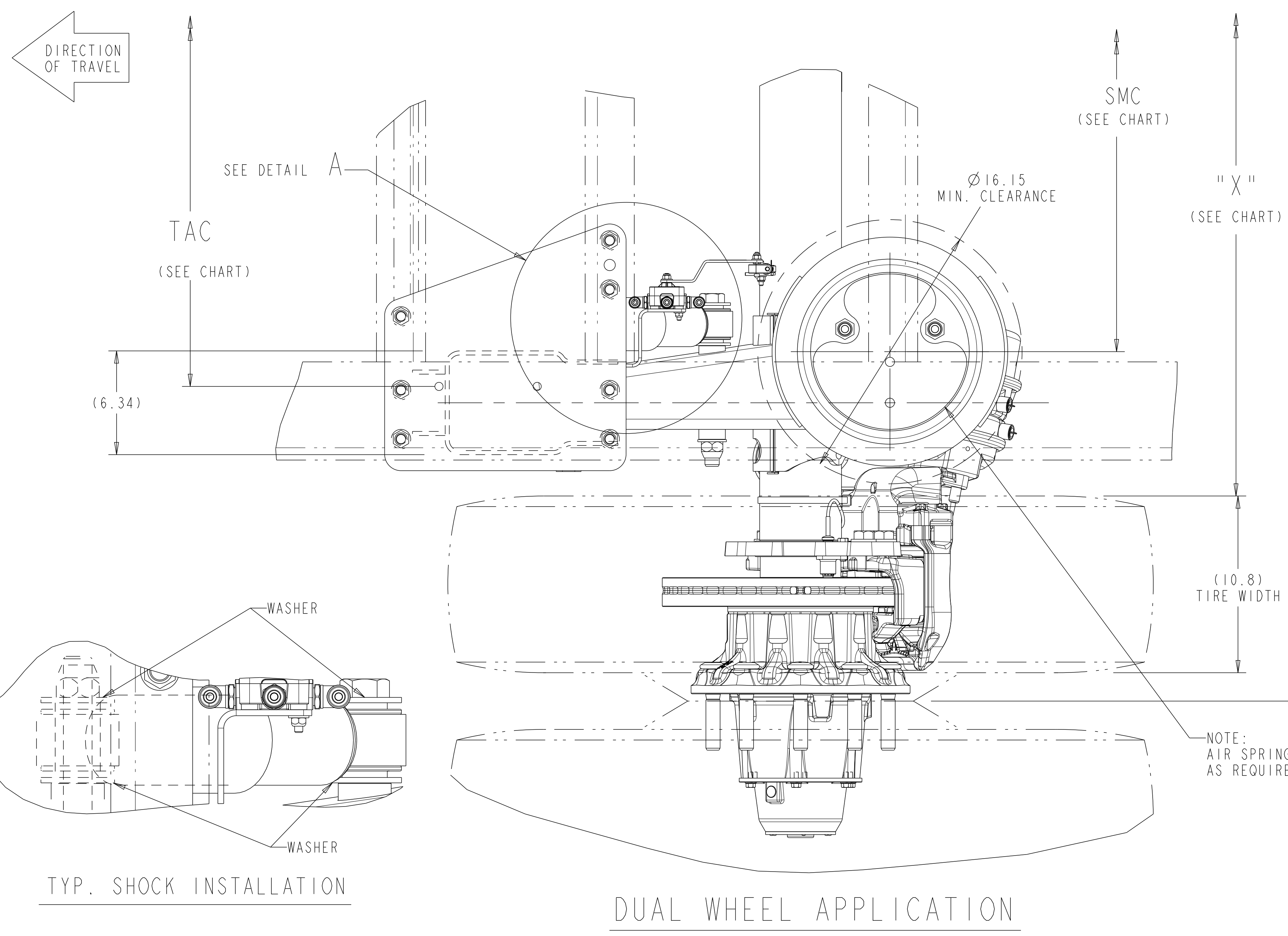
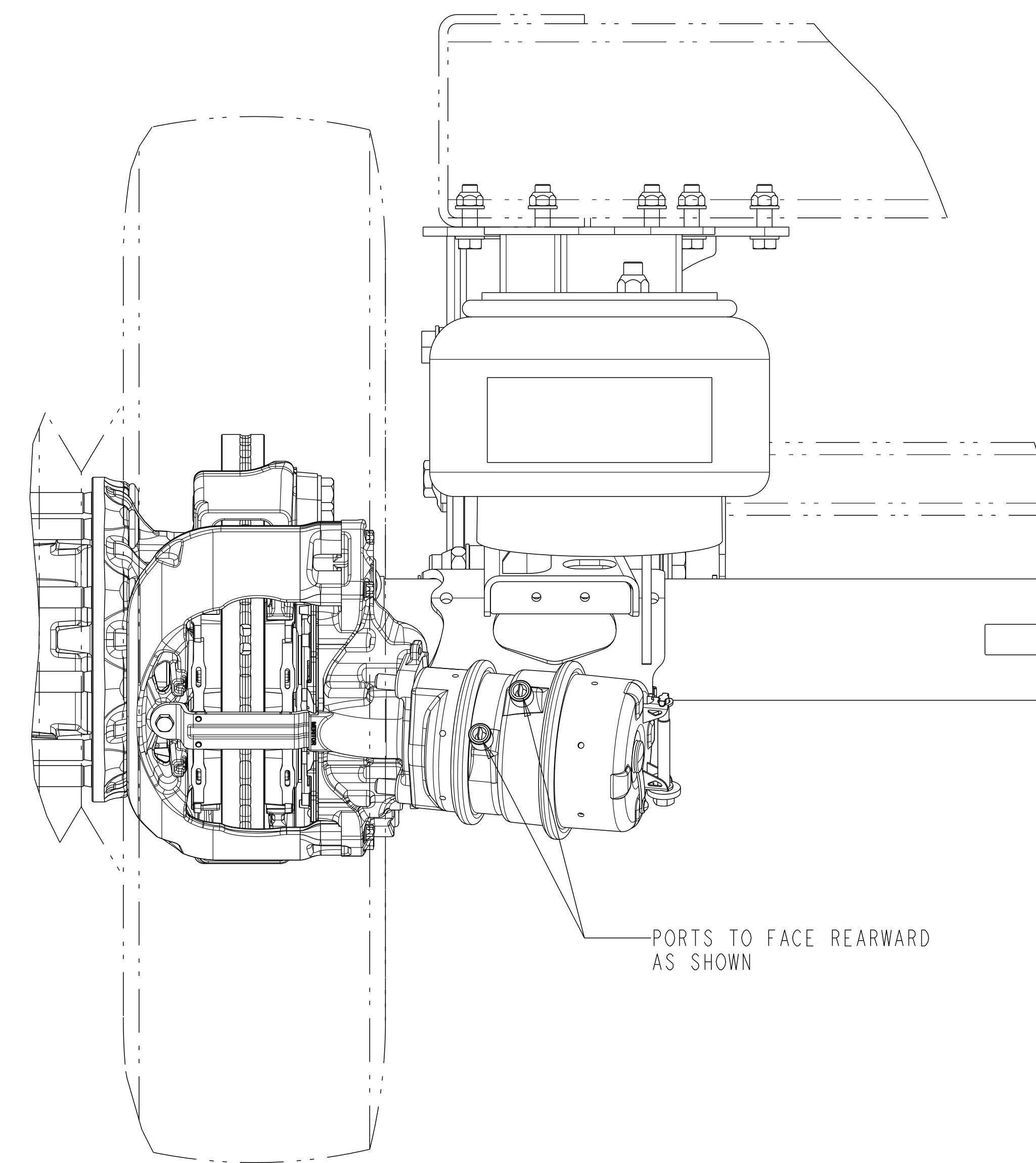
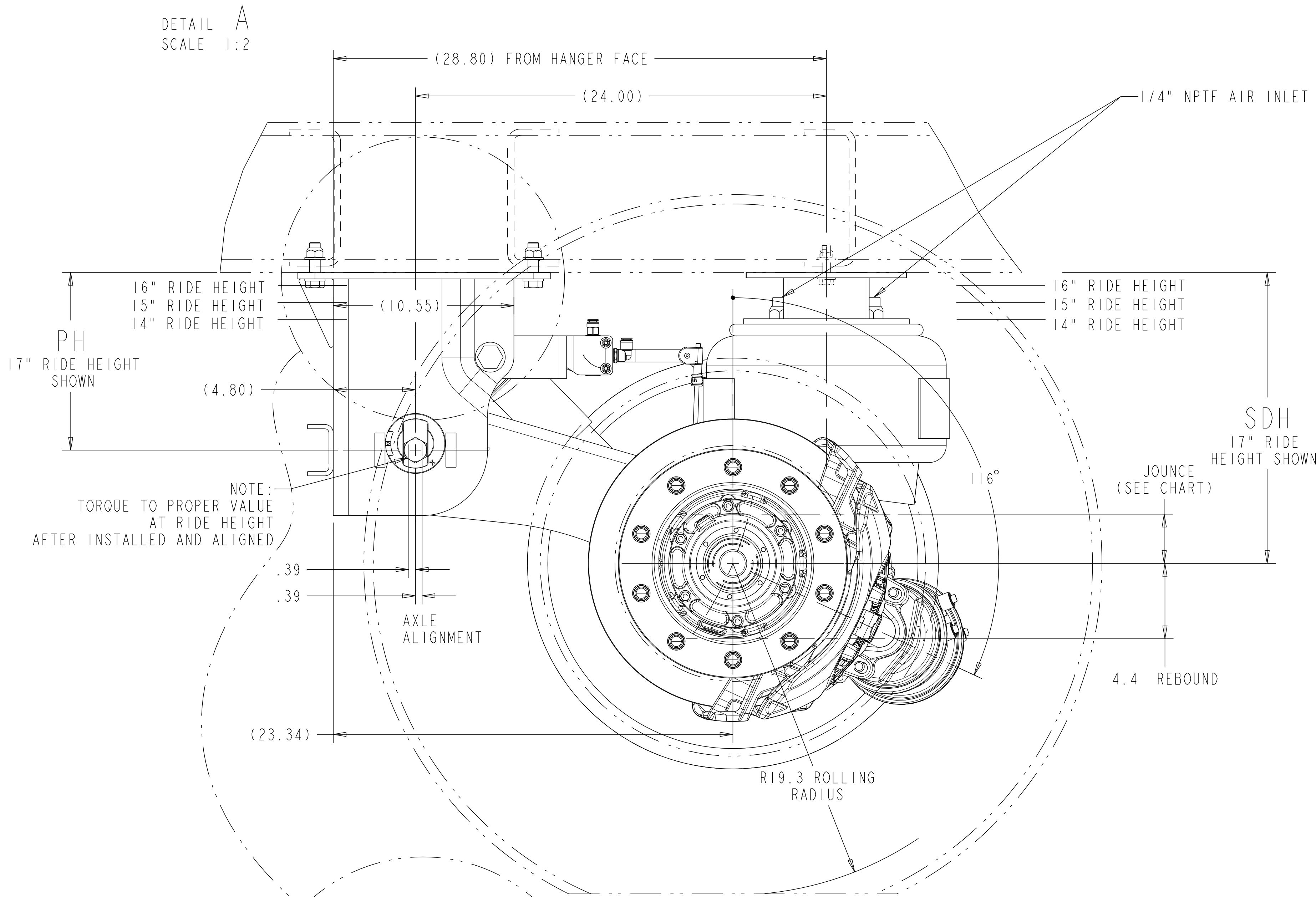
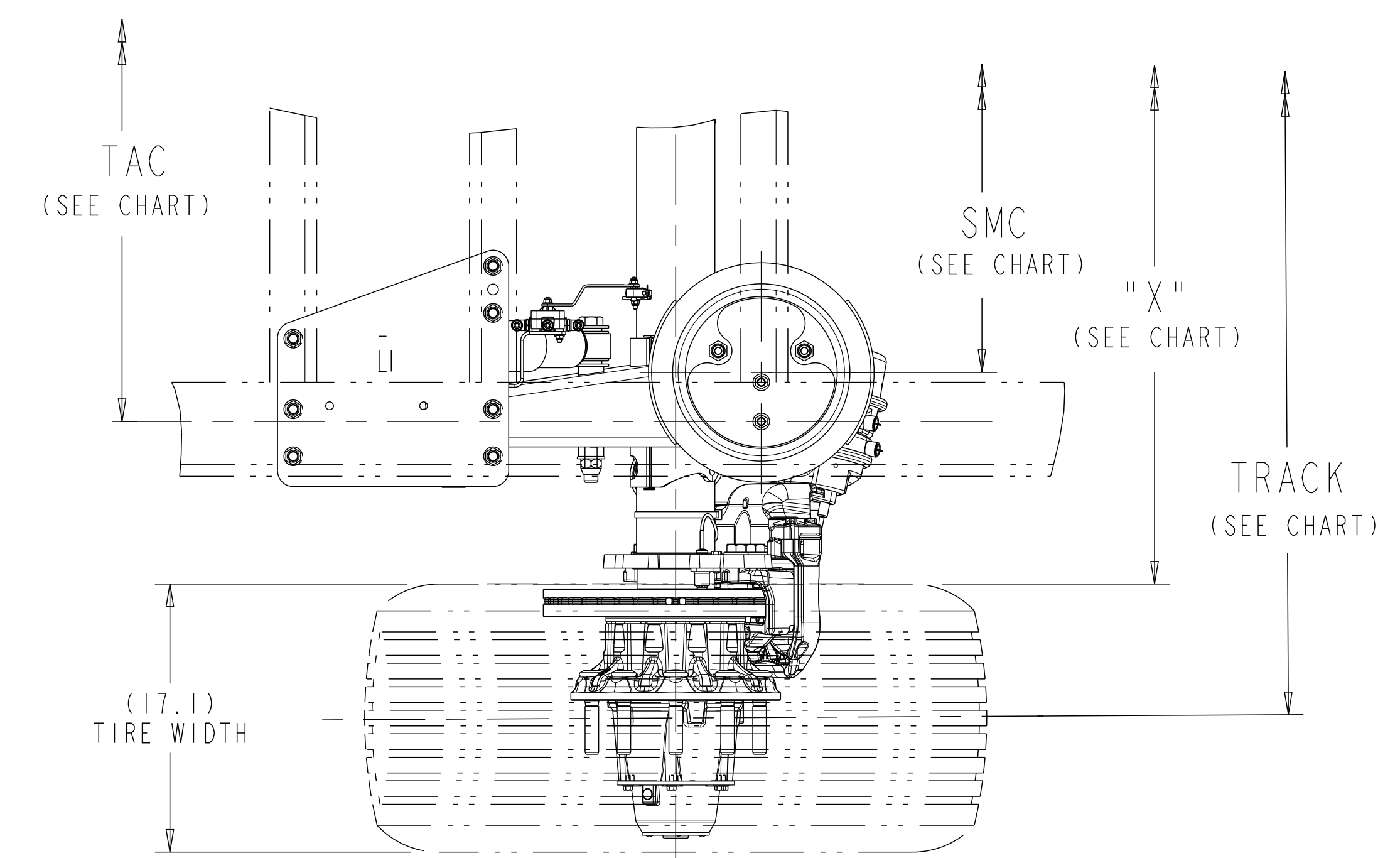


Revision: Q.5  
 STATE: Engineering Released  
 EXPORT\_CONTROL: HARD\_WARE=EAR - EAR99, EXPORT\_CONTROL=EAR - EAR99



APPLICATION	TRACK REF.	"X" REF.	SMC	TAC
DUAL WHEEL	77.5	52.4	34.75	41.0
DUAL WHEEL	71.5	46.4	28.75	35.0
● SUPER SINGLE	83.5	66.4	40.75	47.0

PH	SDH	RIDE HEIGHT	OUNCE
7.38	14.0	14"	2.9
8.38	15.0	15"	2.9
9.38	16.0	16"	3.1
10.38	17.0	17"	3.1



SIM. PARTS		5-66241W_01	
REVISIONS			
P	MOVED EARLIER REVISION BLOCK ENTRIES TO HISTORY LAYER; 1-ADDED EX225+LS DISC BRAKE PART NUMBERS	ECN-172964	VMJ
Q	2-EX225+L WAS EX225L PLUS 3-UPDATED EX225+L DISC BRAKE PART NUMBERS TO SHOW LONG PIN LEADING 4-UPDATED NOTE	ECN-175815	PM
	EX225+LS DISC BRAKE PART NUMBERS WERE EX225S201CG000 AND EX225S202CG000	17-DEC-20	SD

CAD FILES		
FILE NAME	REV. VER	
DRAWING 5-667340	0.5	
ASSEM 5-667340	0.5	

**NOTES:**

PROPER VEHICLE FRAME DESIGN IN THE AREA OF SUSPENSION ATTACHMENT IS THE RESPONSIBILITY OF THE INSTALLER.

SUSPENSION SERIES: MTA25T

SUSPENSION STATIC DESIGN CAPACITY = 25,000 LBS

● RATING BASED ON APPLICATION APPROVAL

RATINGS FOR THE COMPONENTS WITHIN AN INDIVIDUAL MERITOR SUPPLIED SUSPENSION ASSEMBLY, INCLUDING BRAKES, HUBS, AND BEARINGS, MAY VARY AND MAY NOT BE EQUAL TO THE NOMINAL SUSPENSION RATING.

NO WELDING OR DRILLING ALLOWED ON TRAILING ARMS. NO WELD WITHIN .25" OF FRAME BRACKET TOOLING HOLES.

FOR FINAL INSTALLATION TO TRAILER REFER TO 5-66733F\_01 & 5-66241AG\_01

REFER TO SHOP CHART 4-60559.37 FOR TORQUE INFORMATION

DATA BASED ON:  
 DUAL: TIRE SIZE: 11R22.5  
 WHEEL OFFSET: 6.62  
 SINGLE: TIRE SIZE: 445/50R22.5  
 WHEEL OFFSET: .56

● P4 MTA25T WITH EX225+L / BENDIX-ADB22X-LT / PAN22 AND EX225+LS DISC BRAKE FOR BOLT-ON HANGER APPLICATION

AIR CHAMBER CLOCKING 116° EX225+L DISC BRAKE SHOWN

DISC BRAKE INFORMATION		
COMPONENT	ROAD SIDE	CURB SIDE
EX225+L	EX225L271CG000	EX225L272CG000
PAN22	A1-3263G1385	A-3263G1385
BENDIX-ADB22X-LT	B1-3263P1446	B-3263P1446
EX225+LS	EX225S203CG000	EX225S204CG000

FOR AIR CHAMBER PORT LOCATION SEE LAYOUT 4-40072A\_01

APPLY SPECIFIED MERITOR MARKINGS PER DRAFTING ENGINEERING STANDARDS 0-004		THIS PRINT IS LOANED ON A CONFIDENTIAL BASIS SUBJECT TO RETURN UPON DEMAND BY MERITOR AND NOTHING HEREON MAY BE REPRODUCED, USED OR DISCLOSED IN WHOLE OR IN PART WITHOUT THE PRIOR WRITTEN PERMISSION OF MERITOR.		MATERIAL		SEE BILL OF MATERIAL FOR SPECIFIC INDIVIDUAL MODEL INFORMATION		113324		PART/DWG NO. 5-667340-01		EDC 04627	
PROCESS		APPROVED		DRAWN BY		CHECKED BY		DRAWING SIZE		NAME		PAGE	
SAIEG		SAIEG		H.N. 27-Jan-10		C.H. 27-Jan-10		E		MERITOR		1 OF 1	
INQUIRY NO.		C.H. FILE NO.		SCALE		DESIGN CONTROL GROUP		PART NO.		W W TRAILER PRODUCTS			
		APP. NO. PCCR 118544		1:4		MTA25T							

DO NOT CHANGE MANUALLY