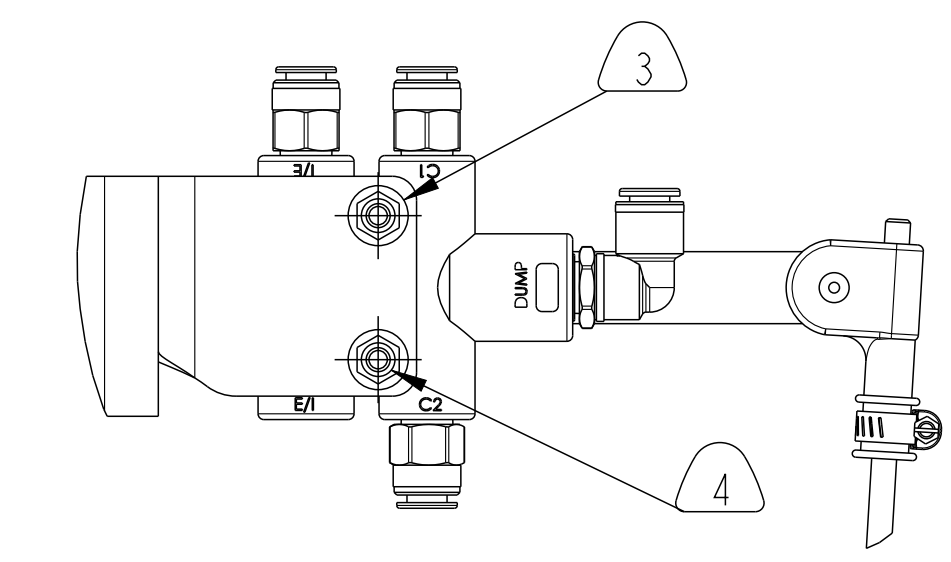
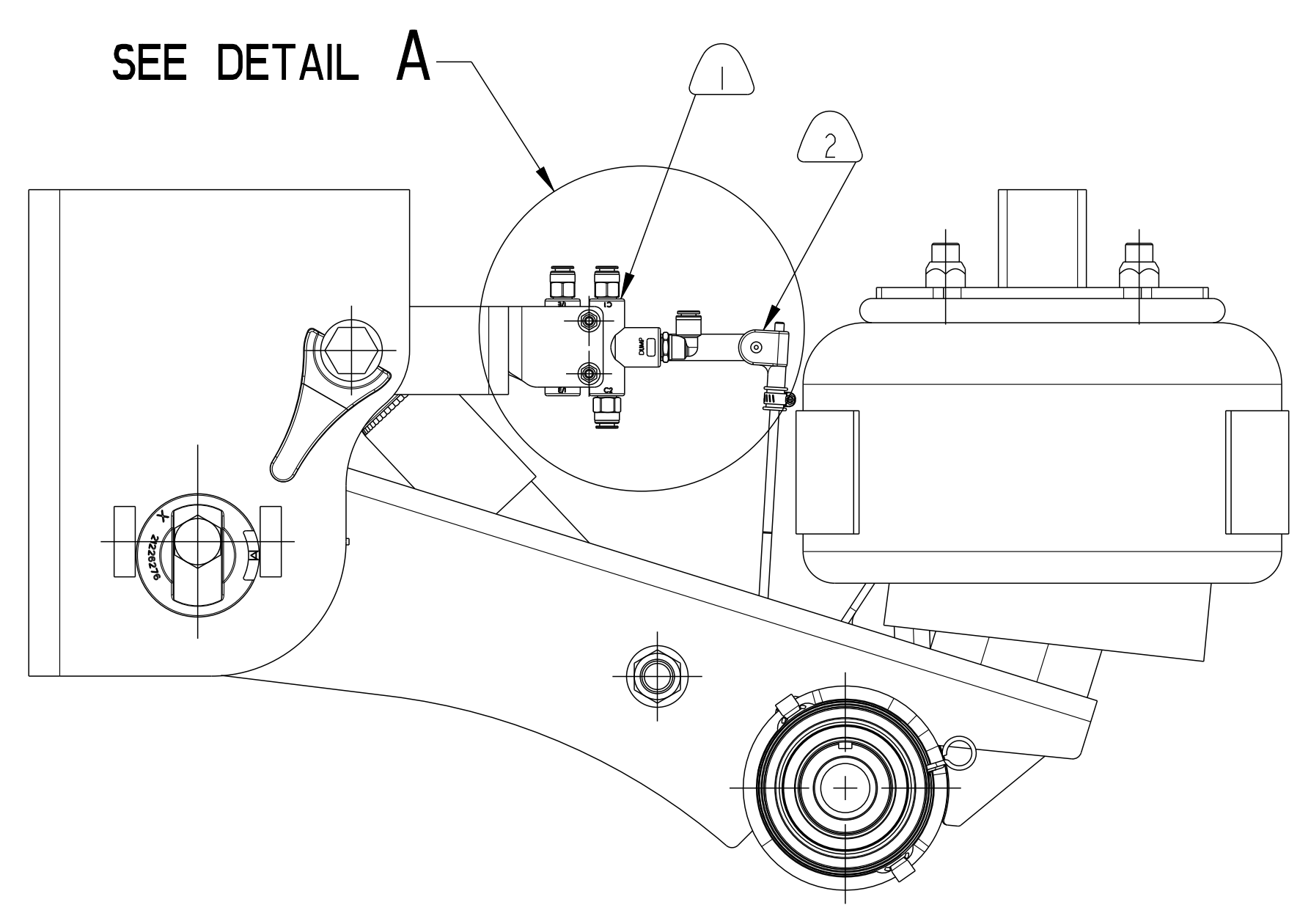
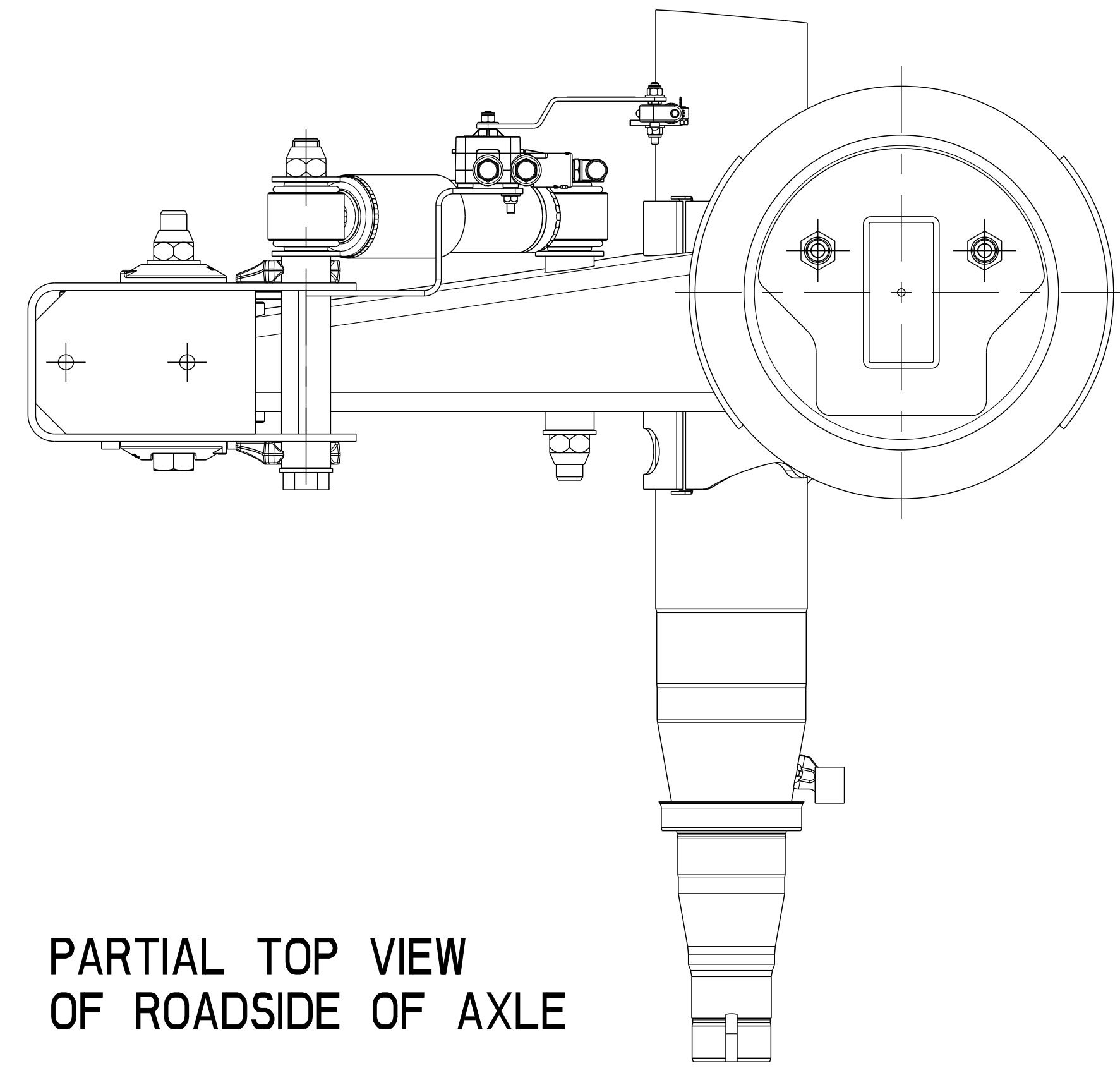
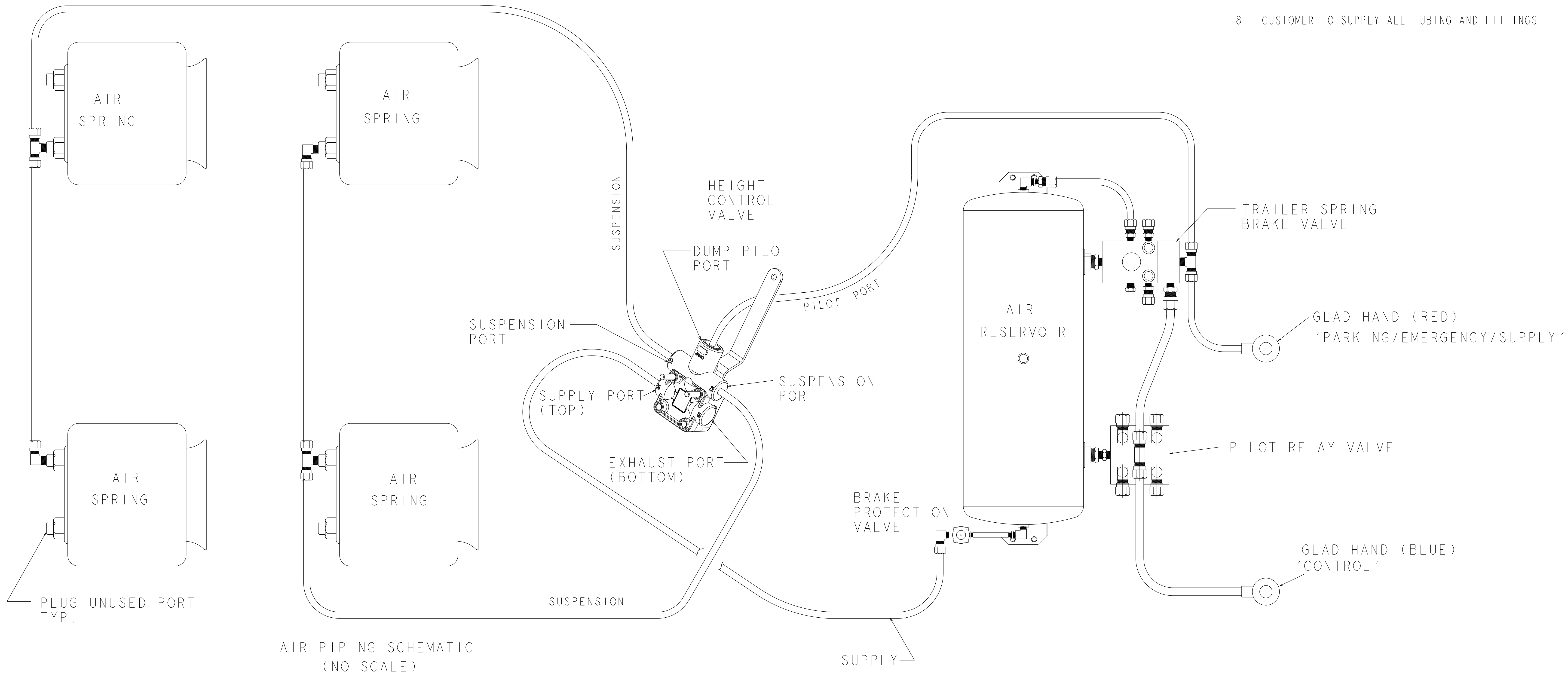


| SIM. PARTS |   | 5-66240A_01             |            |
|------------|---|-------------------------|------------|
| REVISIONS  |   |                         |            |
| A          | RELEASE 5-65443BC_01 FOR PRODUCTION   | 109207<br>11/06/09      | CH<br>SS   |
| B          | 1-UPDATED ALL THE VIEWS TO SHOW THE BARKSDALE HCV ASSEMBLY<br>2-HCV P/N WAS A-7806M1053<br>3-LINK ASSY P/N WAS 203159-5 | ECN-164356<br>20-JAN-20 | VMJ<br>SRB |
| C          | LINK ASSY PN WAS A-1245Y1221  | ECN-167907<br>28-MAY-20 | VMJ<br>SD  |



NOTES:

- (B2) (1) A-7806N1106 HEIGHT CONTROL VALVE ASSEMBLY (WITH DUMP)
- (C) (B3) (2) A-1245X1220 LINK ASSEMBLY
- (3) WA34 WASHER FLAT (2) REQUIRED
- (4) NL24-1 NUT-LOCK, FIN. (2) REQUIRED
- 5. DO NOT ADD LUBRICATION TO AIR SYSTEM
- 6. ALL CONNECTIONS MUST BE LEAK FREE
- 7. AVOID SHARP BENDS IN AIR LINES
- 8. CUSTOMER TO SUPPLY ALL TUBING AND FITTINGS



| CAD FILES         |      |     |
|-------------------|------|-----|
| FILE NAME         | REV. | VER |
| DRAWING 5-65443BC | C.4  |     |
| ASSEM 5-65443BC   | C.4  |     |

DO NOT CHANGE MANUALLY

|                     |  |                                 |  |  |  |
|---------------------|--|---------------------------------|--|--|--|
| 109207              |  | PART/DWG NO. 5-65443BC_01       |  | EDC 04408                                |  |
| RELEASE             |  | NAME SUSPENSION AIR SYSTEM ASSY |  | PAGE 1 OF 1                              |  |
| APPROVED            |  | DRAWN BY C. HOLT                |  | CHECKED BY S. S.                         |  |
| SAIEG               |  | 04-21-09                        |  | 04-21-09                                 |  |
| MATERIAL            |  | 3RD ANGLE PROJECTION            |  | DRAWING SIZE E                           |  |
| PROCESS             |  | SCALE NONE                      |  | DESIGN CONTROL GROUP TRAILER PROD. - N.A |  |
| C. R. T. E. NO.     |  | APPROVAL                        |  | PART NO.                                 |  |
| APP. NO. 116105-005 |  | MTA23T                          |  |  |  |

APPLY SPECIFIED MERITOR MARKINGS PER DRAFTING ENGINEERING STANDARDS D-604

THIS PRINT IS LOANED ON A CONFIDENTIAL BASIS SUBJECT TO RETURN UPON DEMAND BY MERITOR AND NOTHING HEREON MAY BE REPRODUCED, USED OR DISCLOSED IN WHOLE OR IN PART WITHOUT THE PRIOR WRITTEN PERMISSION OF MERITOR.

4 IN. 10THS. 100MM

WEIGHT RGH. / FIN. LBS

INQUIRY NO.

C. R. T. E. NO. 116105-005

APPROVAL MTA23T

SCALE NONE

DESIGN CONTROL GROUP TRAILER PROD. - N.A

PART NO.

**MERITOR** INCH