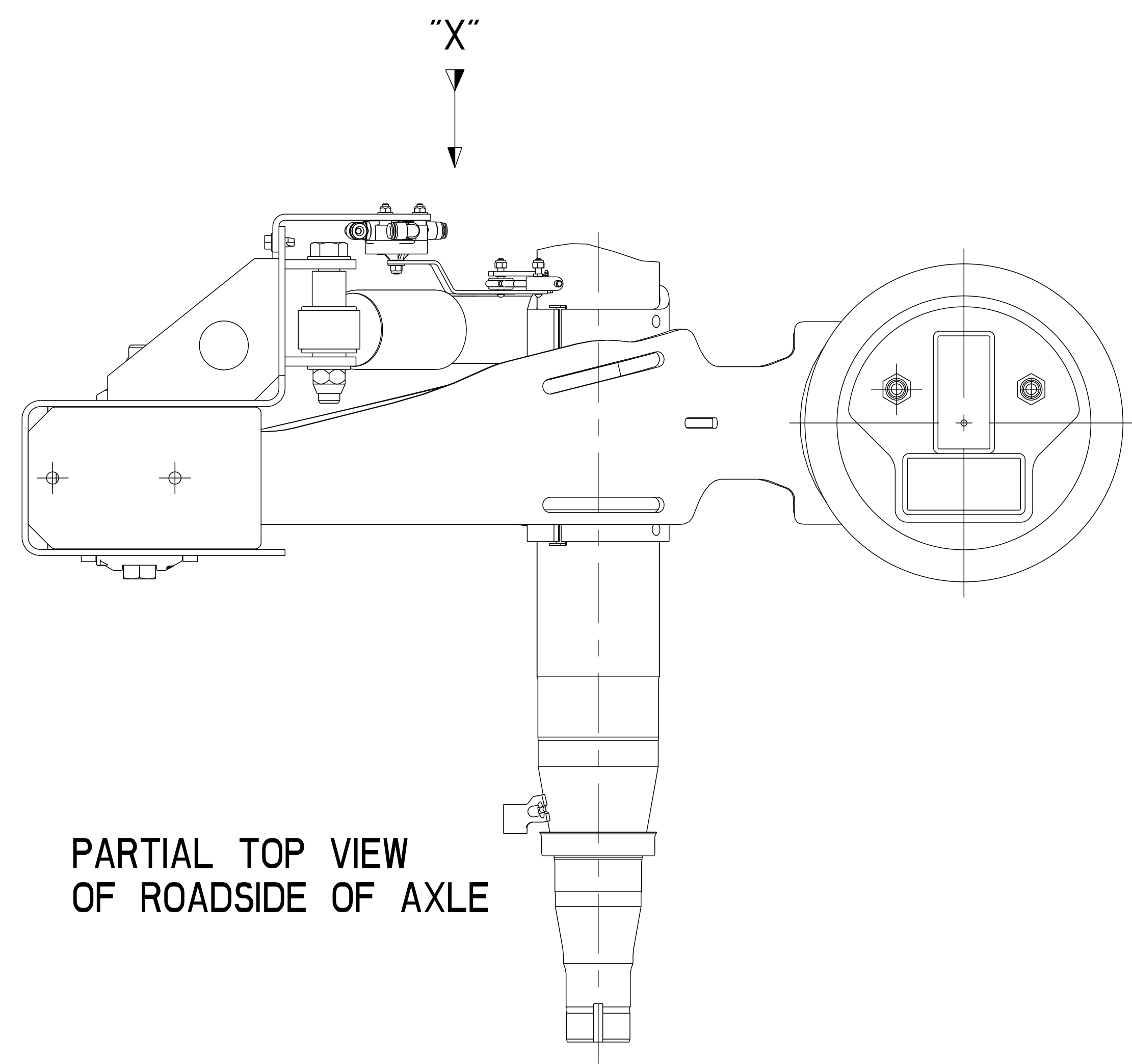
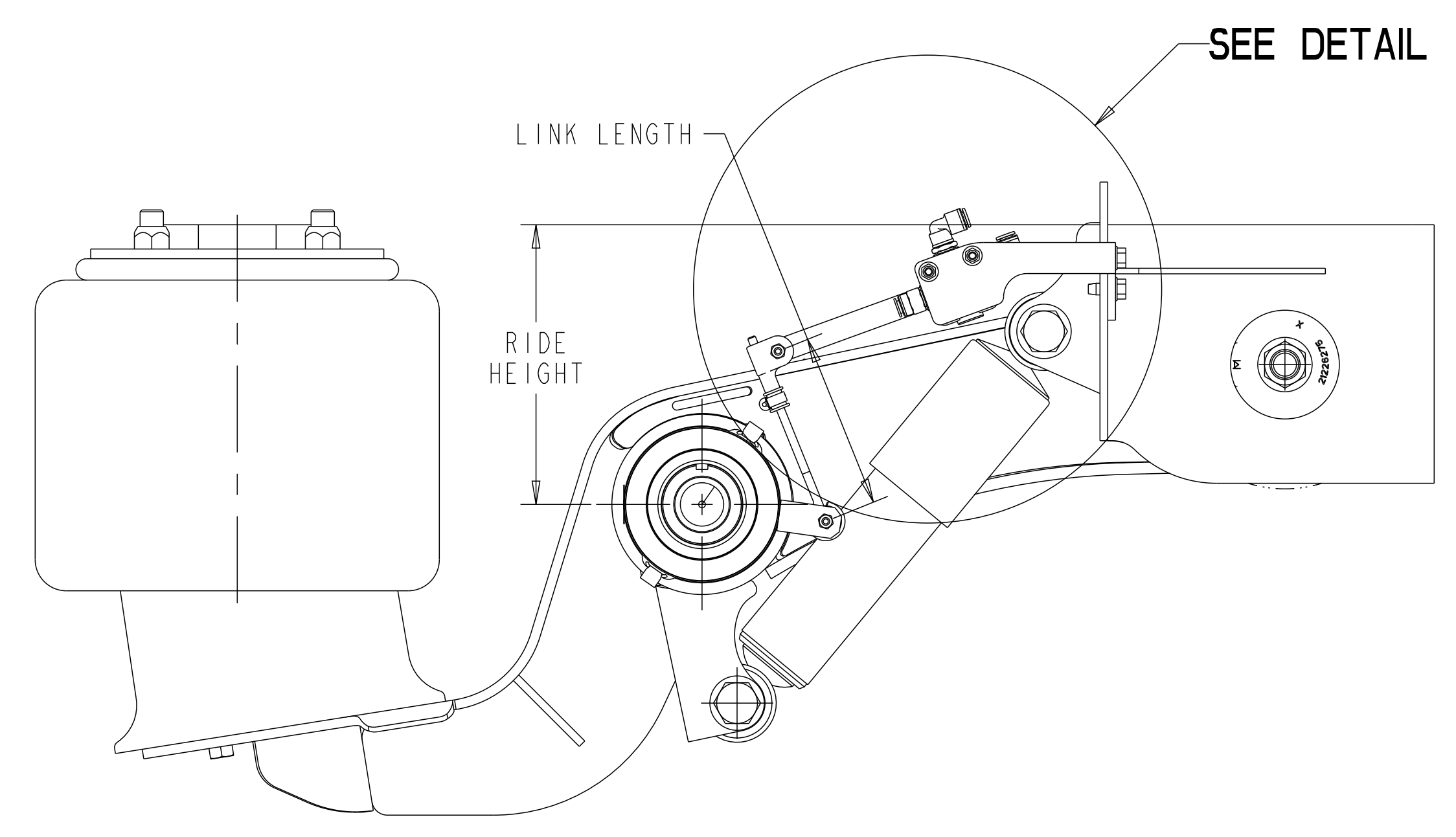


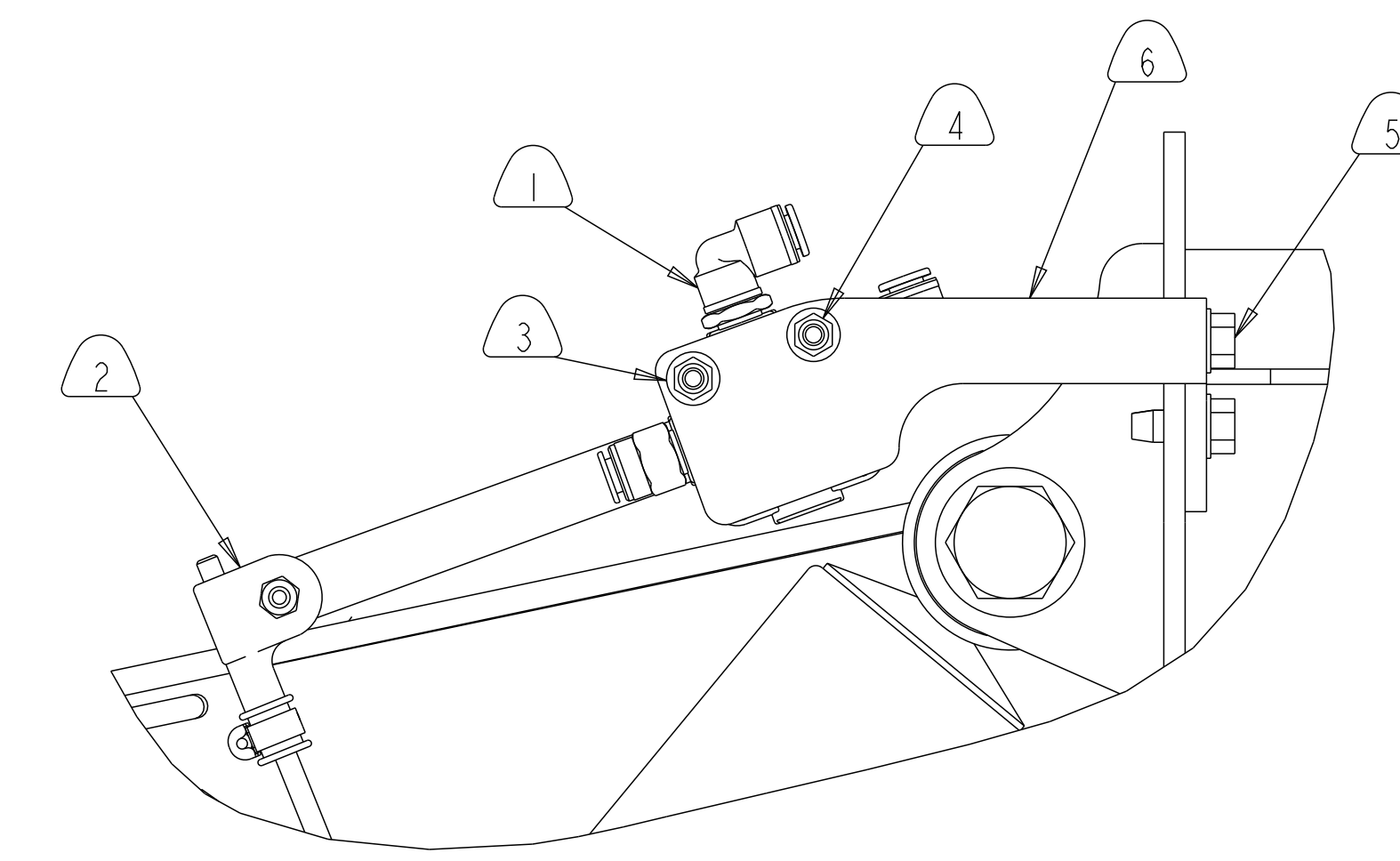
SIM. PARTS		5-65443BF_01	
REVISIONS			
A	RELEASED 5-65443BH FOR PRODUCTION.	118890 20-Jun-12	LGS SJP
B	UPDATED VIEWS TO REFLECT THE CHANGES IN RHCV DESIGN. 1-HEIGHT CONTROL LINKAGE PART NUMBER WAS 203159-5.	119841 03-Oct-12	LGS SVM
C	1-UPDATED ALL THE VIEWS TO SHOW THE BARKSDALE HCV ASSEMBLY 2-HCV P/N WAS A-7806Y1065 3-LINK ASSY P/N WAS 203159-9	ECN-164356 20-JAN-20	VMJ SRB



PARTIAL TOP VIEW OF ROADSIDE OF AXLE



PARTIAL SIDE VIEW OF ROADSIDE OF AXLE (VIEWED FROM "X" AS SHOWN)

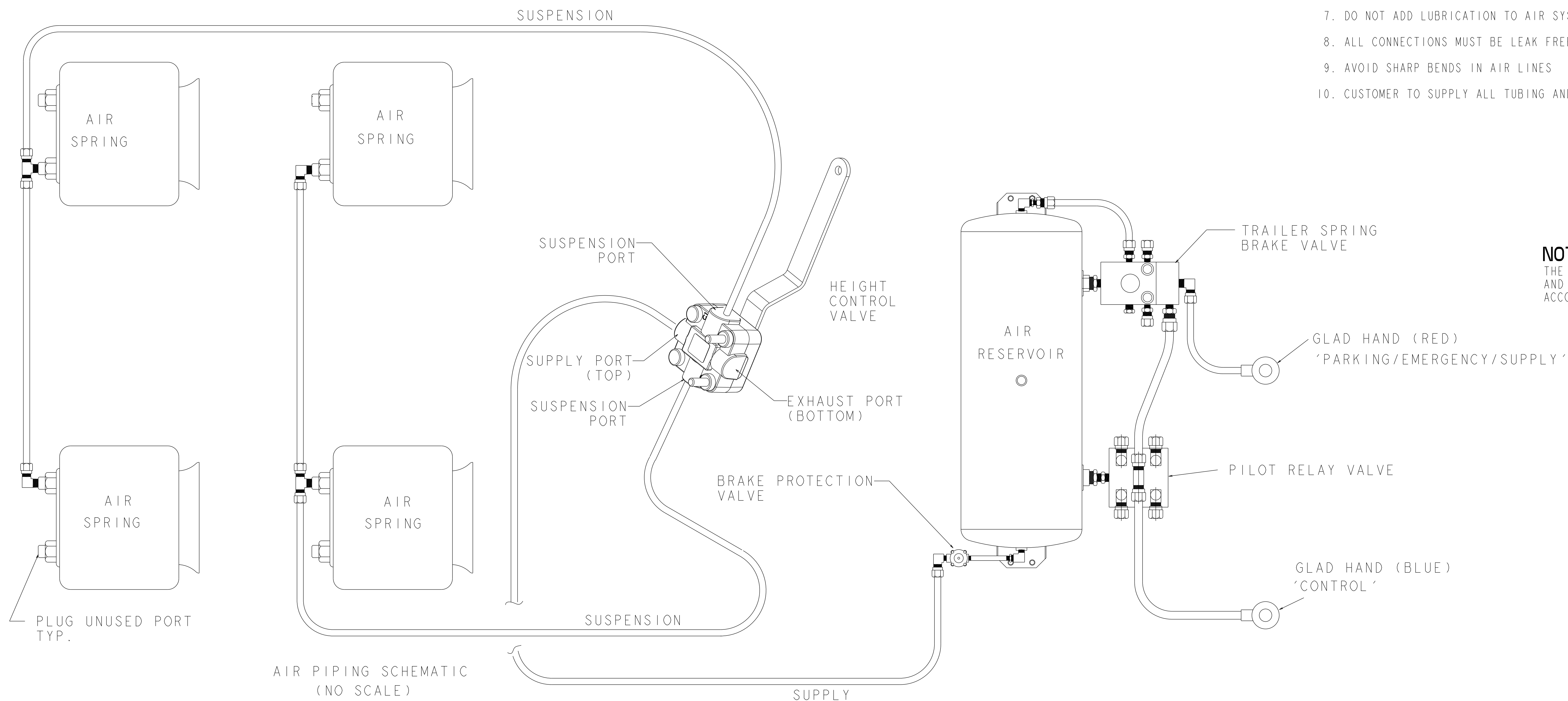


DETAIL A

NOTES:

- (C2) (1) A-7806K1103 HEIGHT CONTROL VALVE ASSEMBLY (WITHOUT DUMP)
- (B1) (C3) (2) A-1245X1220 LINK ASSEMBLY
- (3) WA-34 WASHER FLAT (2) REQUIRED
- (4) NL24-1 NUT-LOCK, FIN. (2) REQUIRED
- (5) 10X1348, SCREW-SELF TAPPING (2) REQUIRED
- (6) 3150X4184, RHCV BRACKET, FIN. - 6.5", 7.5", 8.0" RIDE HEIGHT  
3150Y4185, RHCV BRACKET, FIN. - 9.0" THRO' 19.0" RIDE HEIGHT
- 7. DO NOT ADD LUBRICATION TO AIR SYSTEM
- 8. ALL CONNECTIONS MUST BE LEAK FREE
- 9. AVOID SHARP BENDS IN AIR LINES
- 10. CUSTOMER TO SUPPLY ALL TUBING AND FITTINGS

CAD FILES		
FILE NAME	REV.	VER.
DRAWING 5-65443BH	C.6	
ASSEM 5-65443BH	C.6	



AIR PIPING SCHEMATIC (NO SCALE)

NOTE:  
THE UNIVERSAL LINKAGE IS PROVIDED 10.5" LONG AND SHOULD BE SET TO RIGHT LENGTH FOR EACH RIDE HEIGHT ACCORDING TABLE BELOW.

RIDE HEIGHT	LINK LENGTH
6.5	4.5
7.5	5.3
8.0	5.7
9.0	5.7
12.0	6.0
14.0	7.7
15.0	8.5
16.0	6.9
17.0	7.7
19.0	9.4

DO NOT CHANGE MANUALLY

APPLY SPECIFIED MERITOR MARKINGS PER DRAFTING ENGINEERING STANDARDS D-004	THIS PRINT IS LOANED ON A CONFIDENTIAL BASIS SUBJECT TO RETURN UPON DEMAND BY MERITOR AND NOTHING HEREON MAY BE REPRODUCED, USED OR DISCLOSED IN WHOLE OR IN PART WITHOUT THE PRIOR WRITTEN PERMISSION OF MERITOR.	MATERIAL PROCESS	APPROVED L.G.S.				DRAWN BY S.J.P. 20-Jun-12	CHECKED BY L.G.S. 08-Jun-12	3RD ANGLE PROJECTION	DRAWING SIZE E	118890 RELEASE	PART/DWG NO. 5-65443BH	EDC 04408
			C.F.T.E. NO. APP. NO. PCCR 119179 / 119183	ORIGINAL FOR MTA25L / 30L	SCALE 1:4	DESIGN CONTROL GROUP TRAILER PRODUCTS - N.A.	PART NO.	NAME SUSPENSION AIR SYSTEM ASSY	PAGE 1 OF 1				