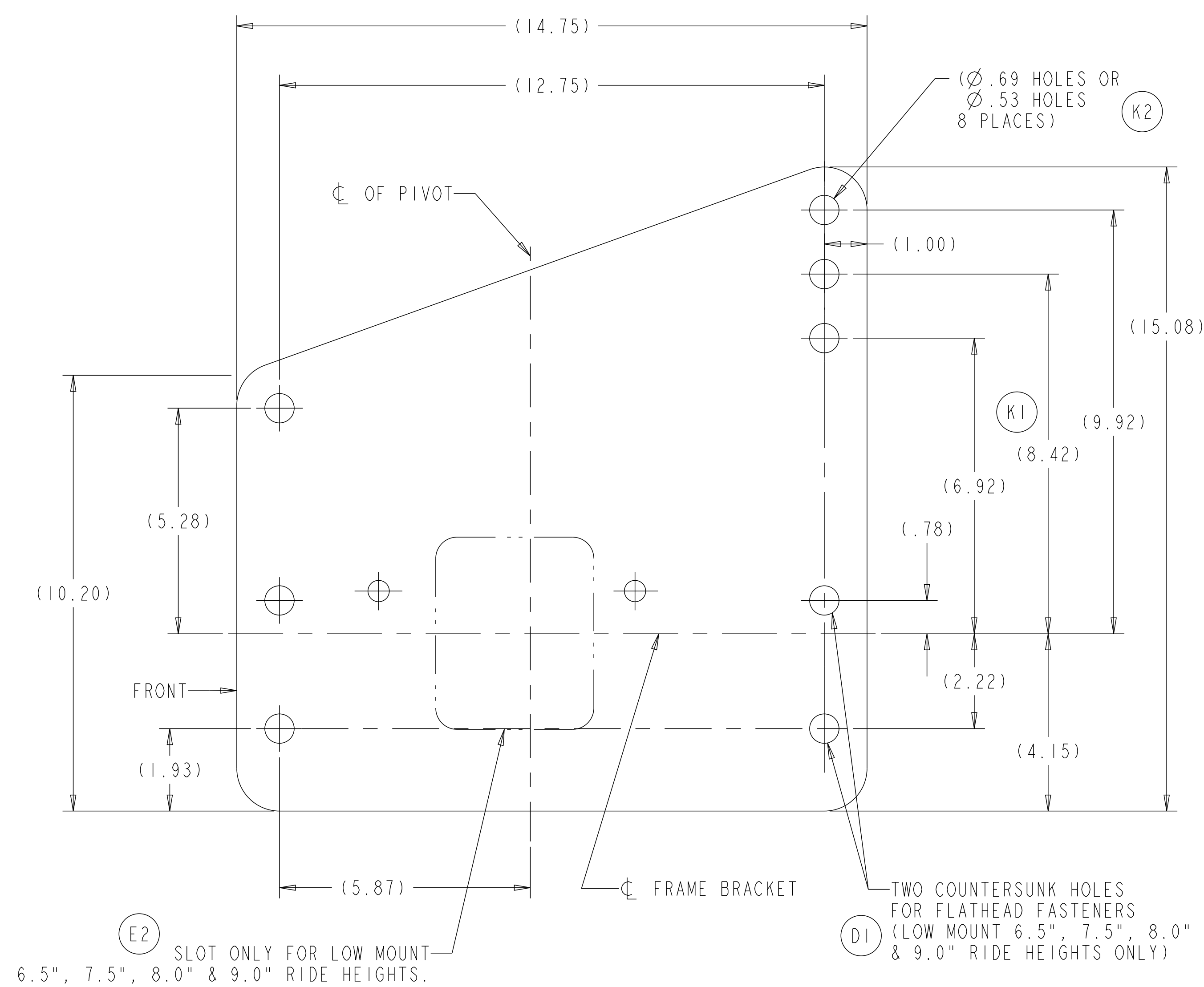
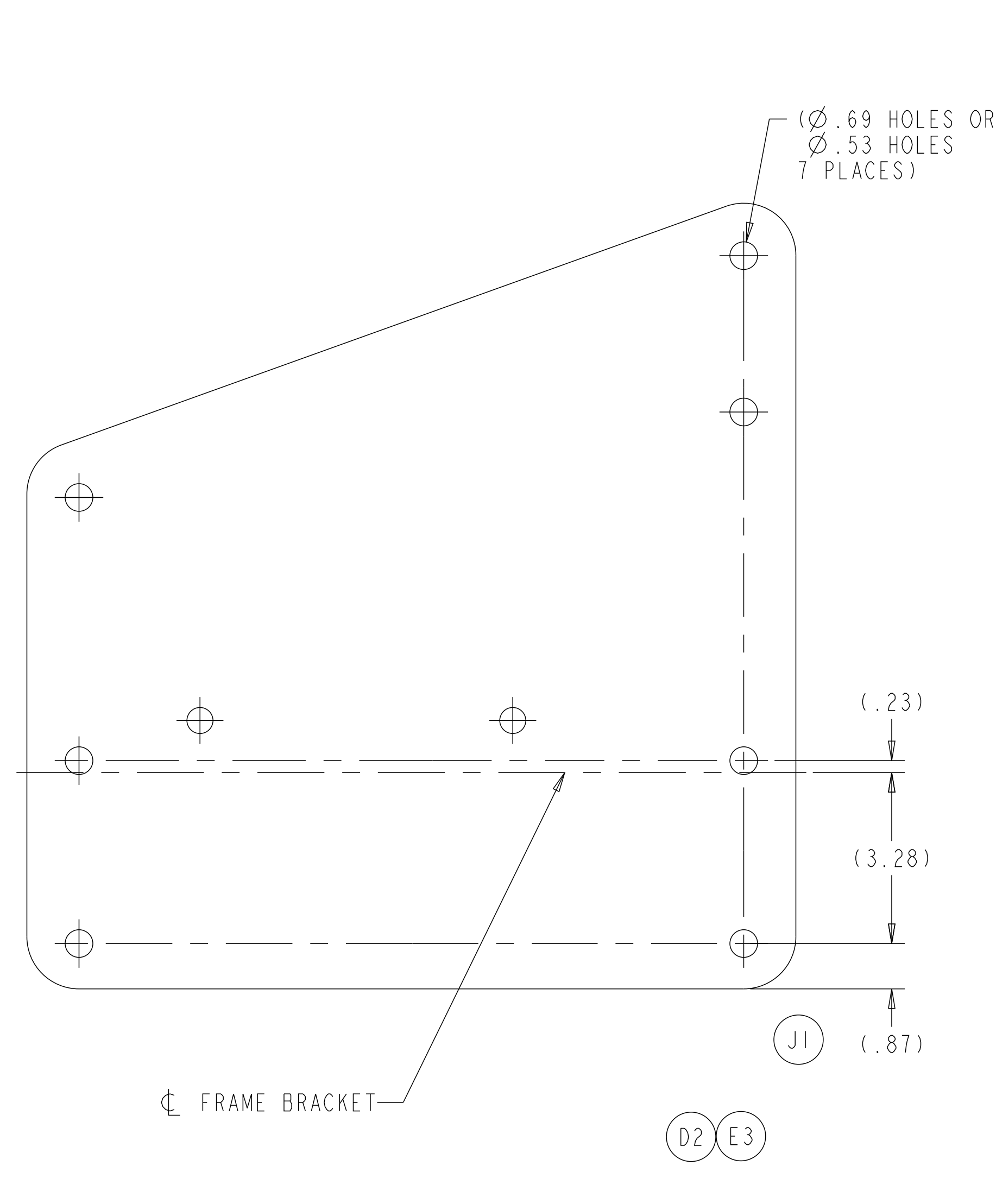


ROAD SIDE FRAME BRACKET SHOWN

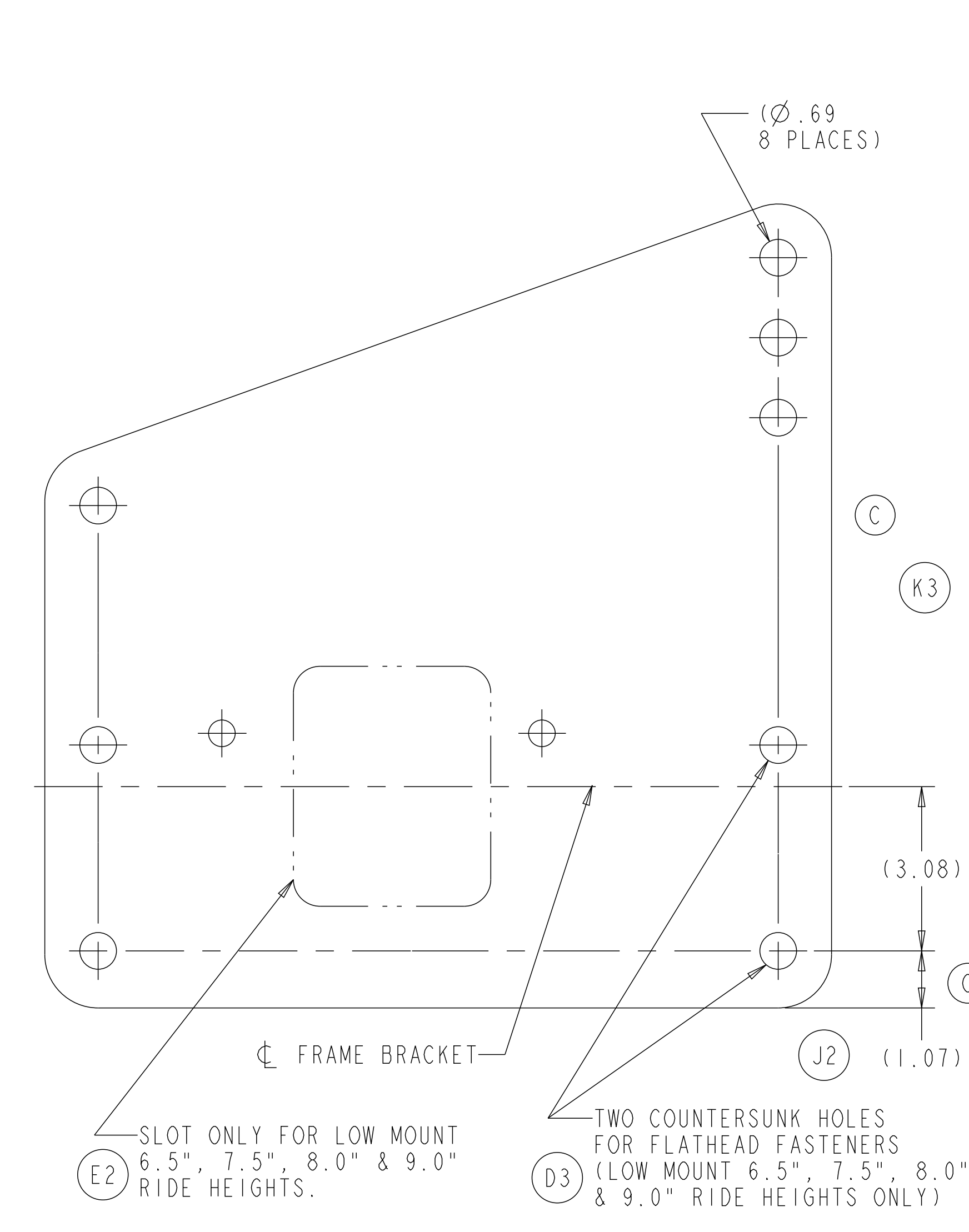
HOLE PATTERN: S#STANDARD



HOLE PATTERN: S#1



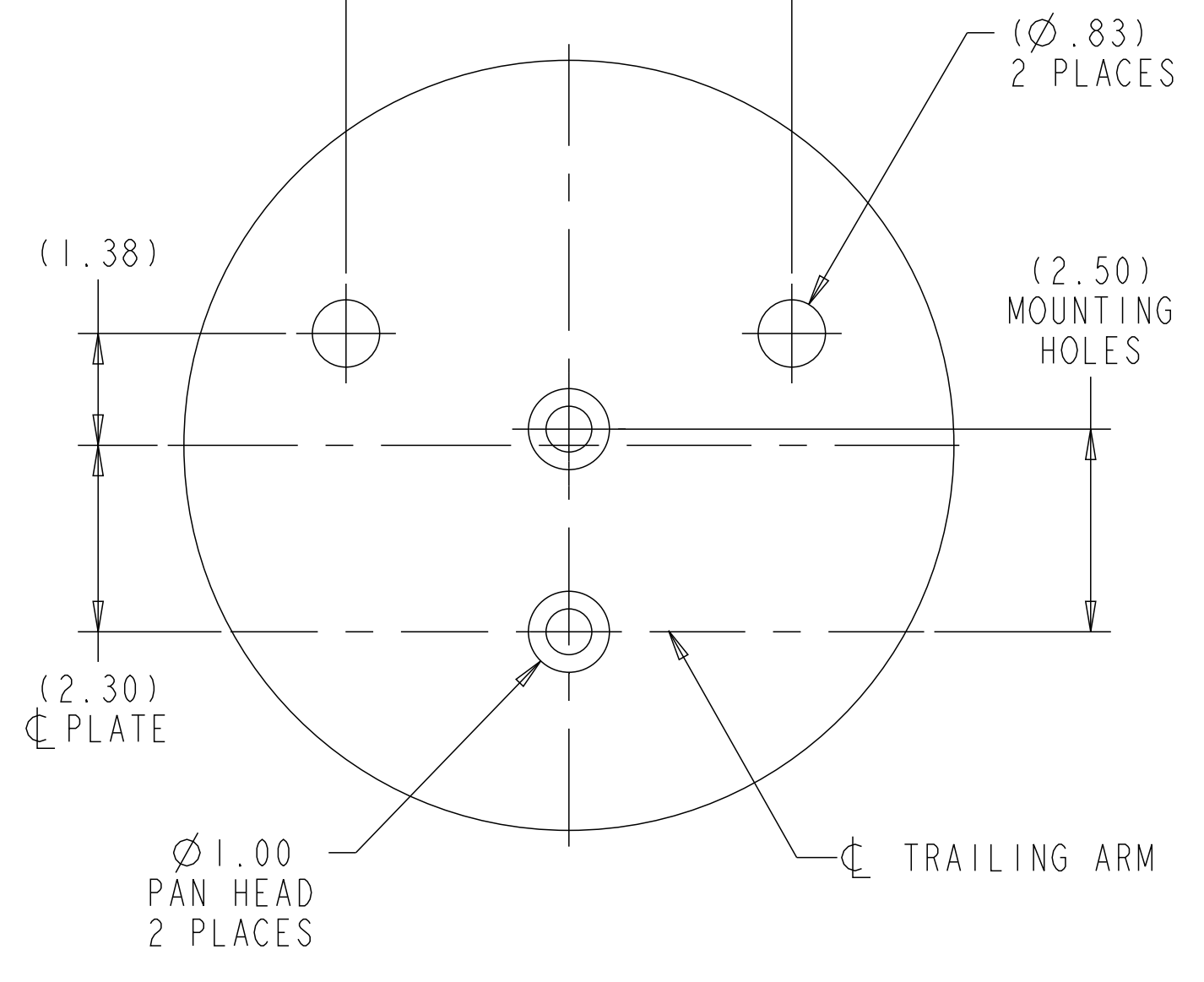
HOLE PATTERN: S#3



| SIM. PARTS | | | |
|------------|--|-------------------------|-----------|
| REVISIONS | | | |
| A | RELEASE 5-66241AG FOR PRODUCTION | 115875 10/10/11 | CH SS |
| B | ADDED REF. DIMENSIONS TO HOLE PATTERN #1 VIEW | 117058 10/12/11 | CH SS |
| C | ADDED DIMENSION | 117799 01/27/12 | CH SS |
| D | REVISED HOLE PATTERNS 1-3)ADDED COUNTERSUNK HOLE NOTE | 120630 01/21/13 | CH SS |
| E | 1-ADDED MTA25L/30L BOLT-ON PEDESTAL HOLE PATTERN VIEW. 2-ADDED NOTE. 3-REMOVED NOTE. | 124403 07-Jul-14 | SD ARS |
| F | ADDED SHEET-2 FOR COMPACT DESIGN | ECN-128640 28-Mar-16 | SKS SS |
| G | ADDED SHEET-3 TO INCLUDE MTA-TEC6-23T PEDESTALS | ECN-132746 01-Jul-16 | SKS SS |
| H | REVISED PAGE-3 TO ADD MTA-TEC6-23L TOP PLATE | ECN-141857 24-JAN-18 | LGS NB |
| J | 1 & 2)ADDED REFERENCE DIMENSION 3)ADDED PATTERN 2 INFO. ADDED REFERENCE DIMENSIONS TO SHEET 2 & 3 | ECN-147394 22-MAR-18 | CH MS |
| K | UPDATED PICTORIAL REPRESENTATION TO AGREE WITH CURRENT TOP PLATE 1-ADDED DIMENSION 2-UPDATED HOLE NOTE 3-REMOVED DIMENSION | ECN-158974 09-MAY-19 | EB SRB |

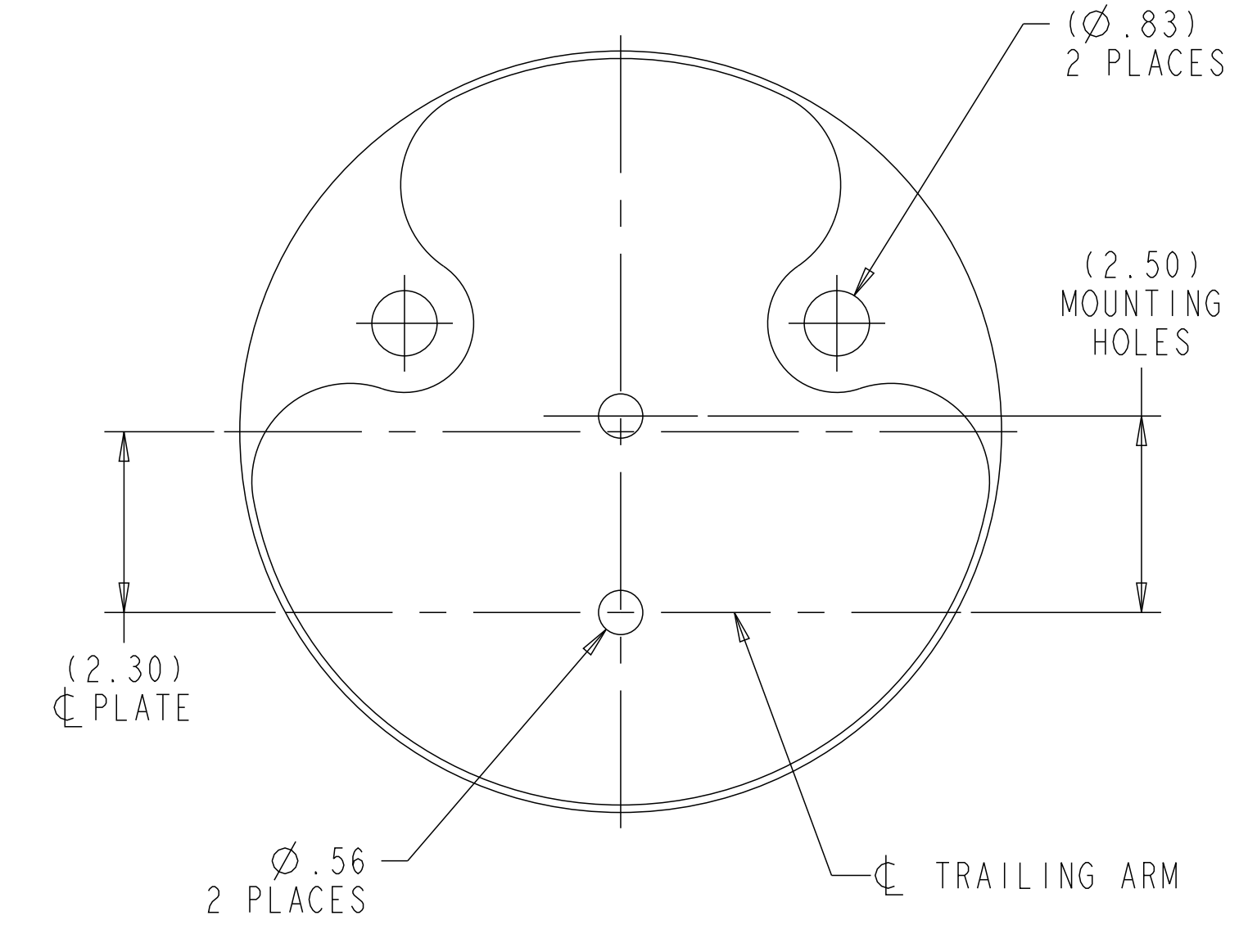
ROAD SIDE UPPER AIR SPRING PEDESTAL SHOWN

HOLE PATTERN: S#STANDARD



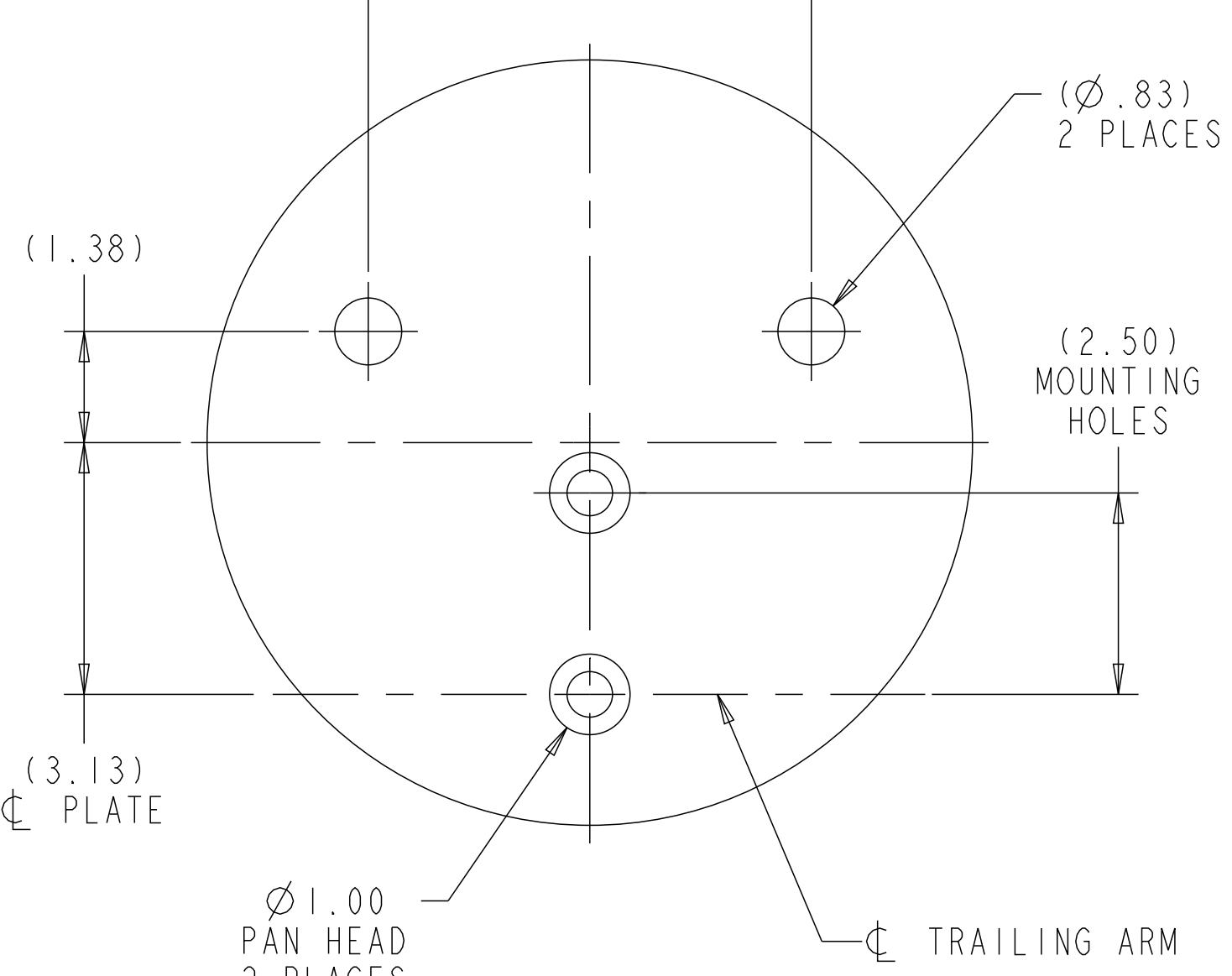
MTA23T PLATE

HOLE PATTERN: S#STANDARD



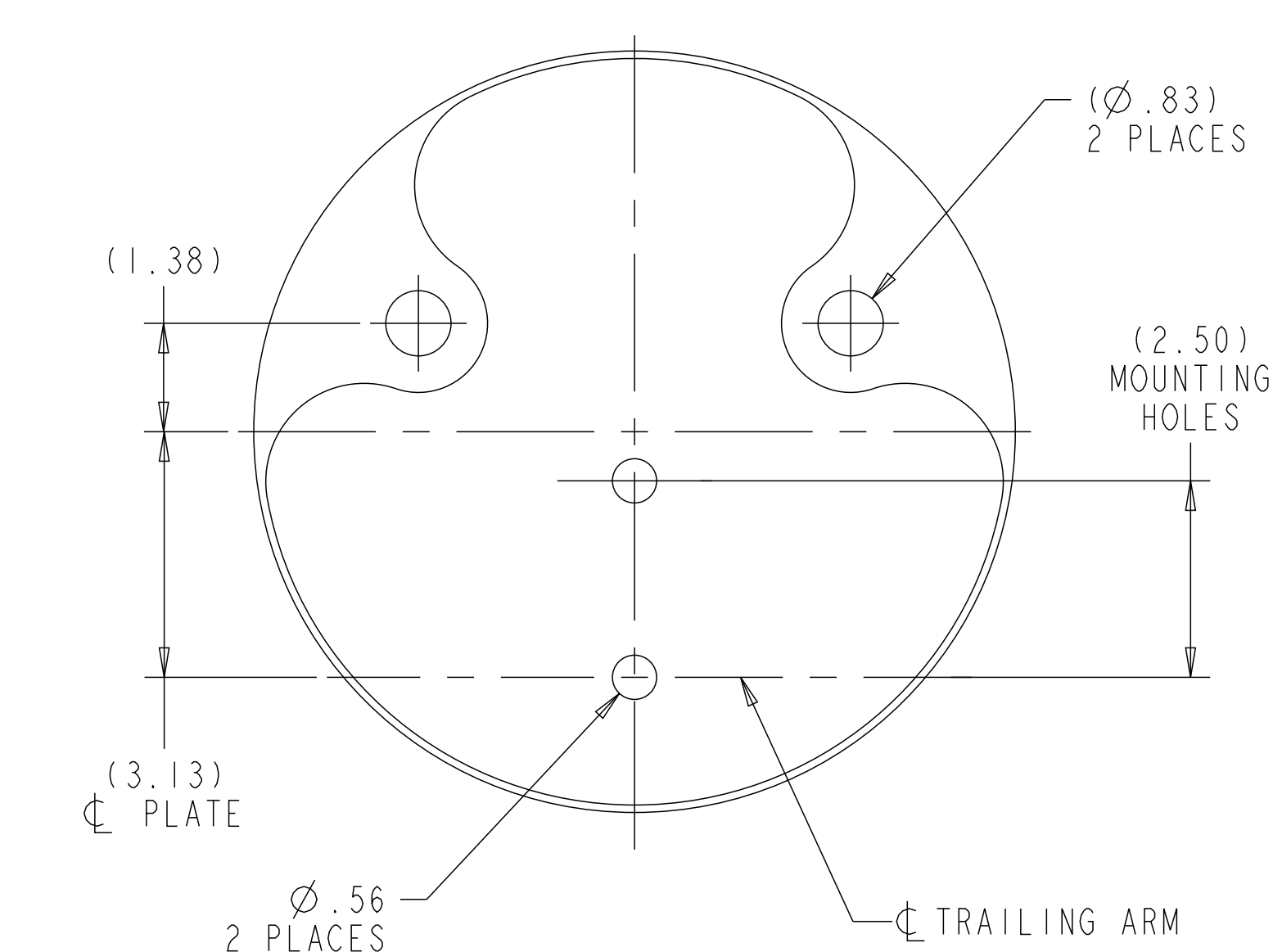
MTA23T PEDESTAL

HOLE PATTERN: S#STANDARD



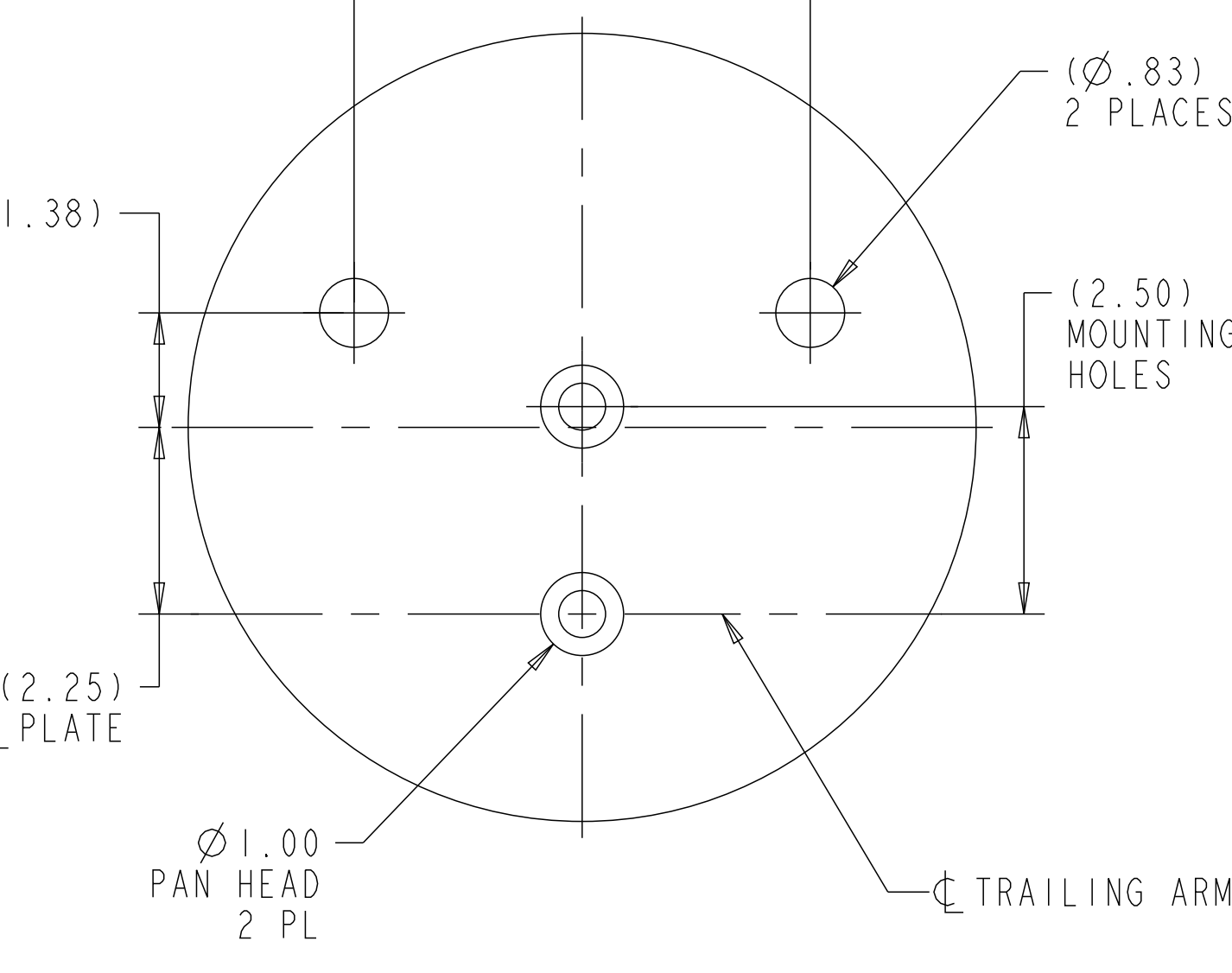
MTA25T & 30T PLATE

HOLE PATTERN: S#STANDARD



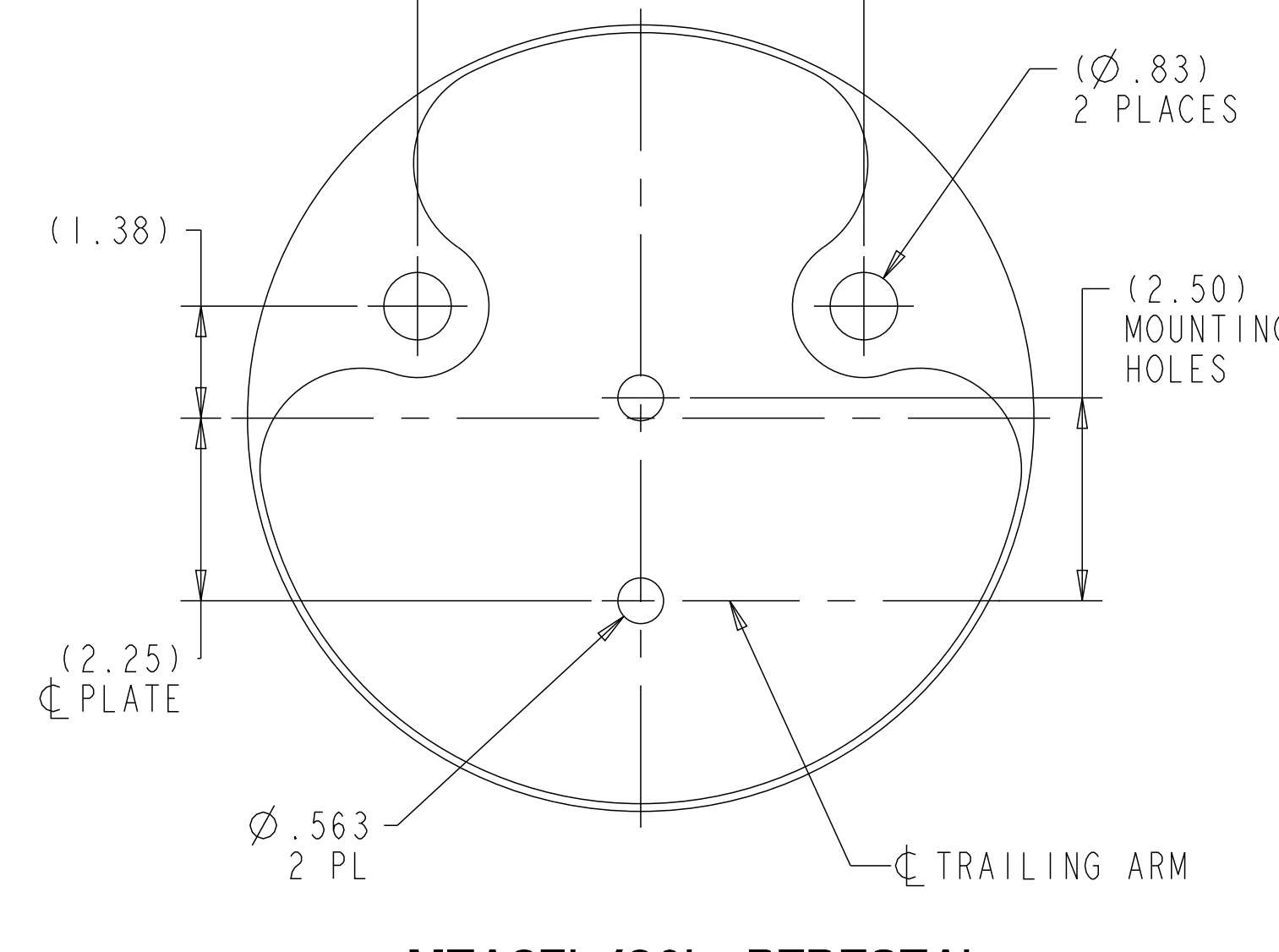
MTA25T & 30T PEDESTAL

HOLE PATTERN: S#STANDARD



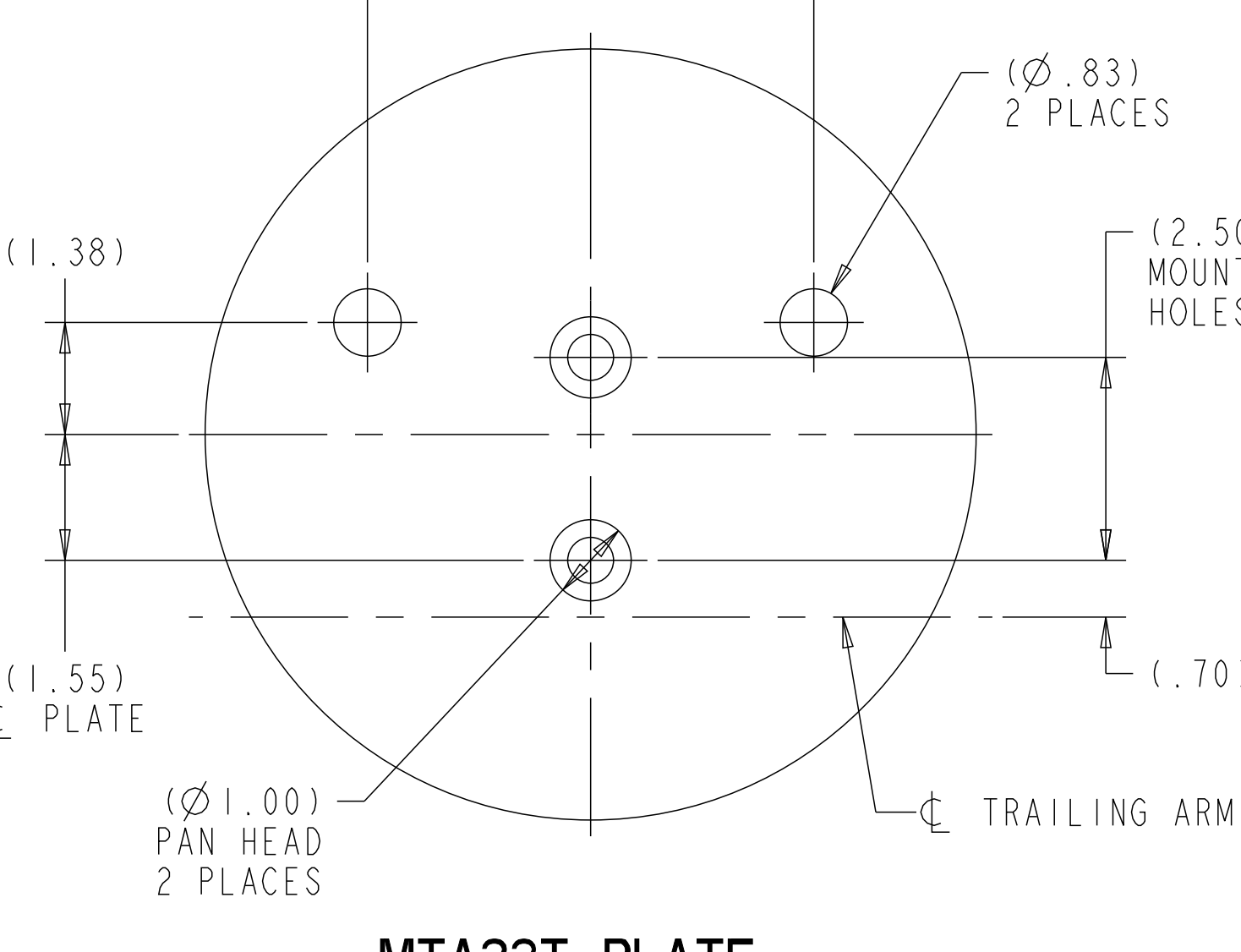
MTA25L/30L PLATE

HOLE PATTERN: S#STANDARD



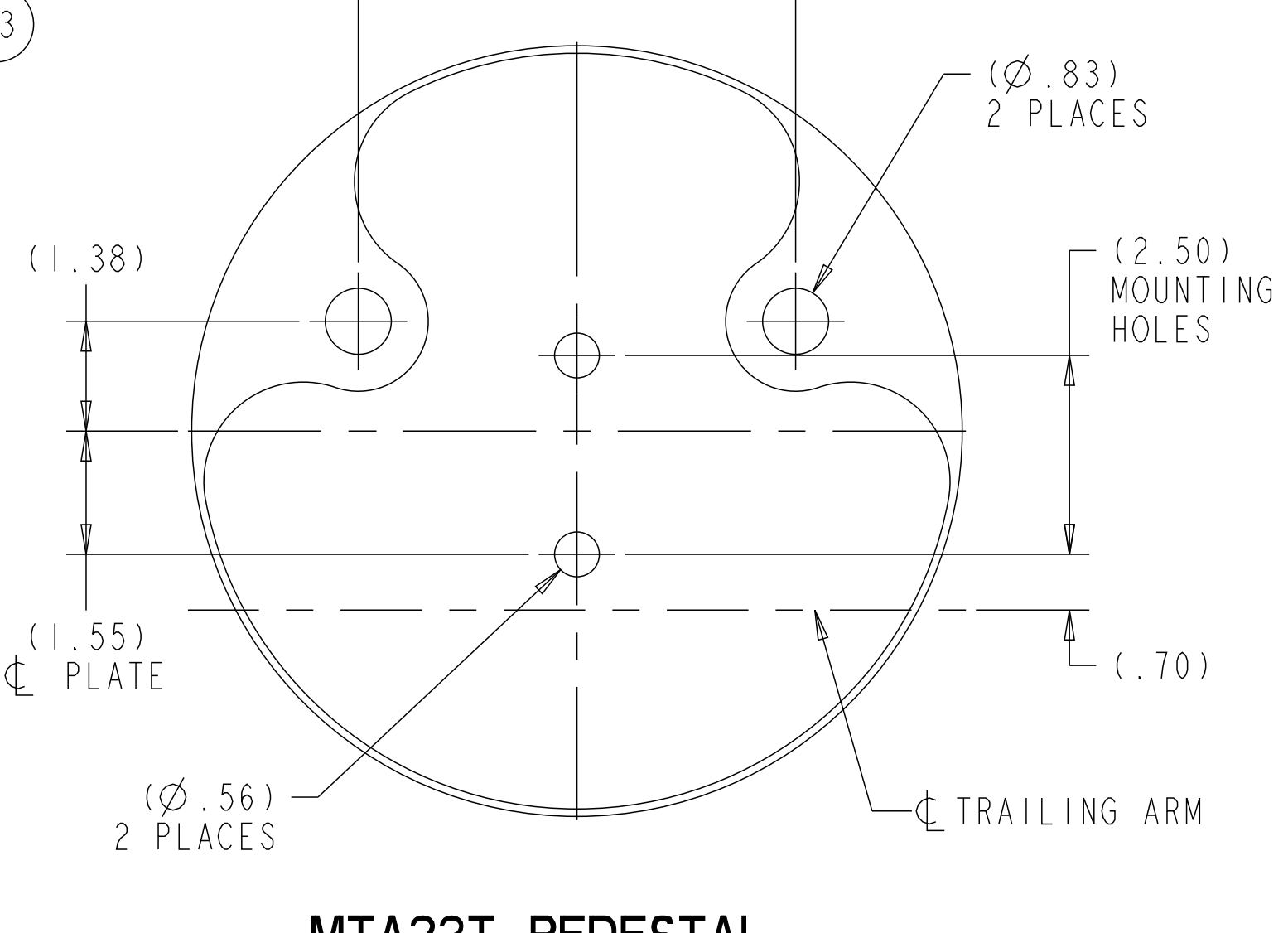
MTA25L/30L PEDESTAL

HOLE PATTERN: S#2



MTA23T PLATE

HOLE PATTERN: S#2



MTA23T PEDESTAL

| CAD FILES | |
|---------------|---------|
| NAME | TYPE |
| 5-66241AG R.3 | DRAWING |
| 5-66241AG R.3 | MODEL |

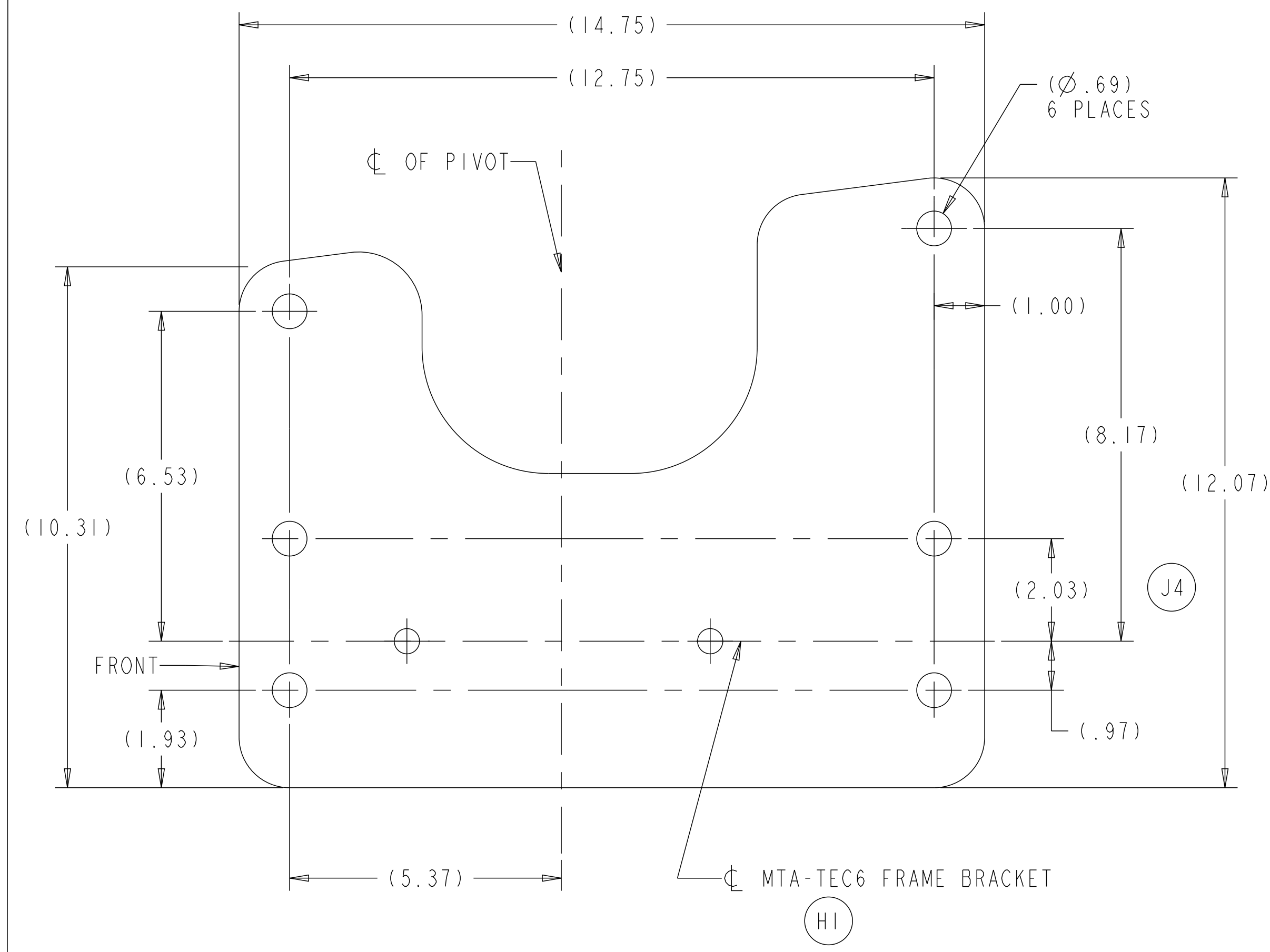
DO NOT CHANGE MANUALLY

SEE PAGE 1 FOR MTA23T, 25T & 30T STANDARD TOP PLATE
 SEE PAGE 2 FOR MTA-TEC6-23T COMPACT TOP PLATE
 SEE PAGE 3 FOR MTA-TEC6-23T & 23L STANDARD TOP PLATE

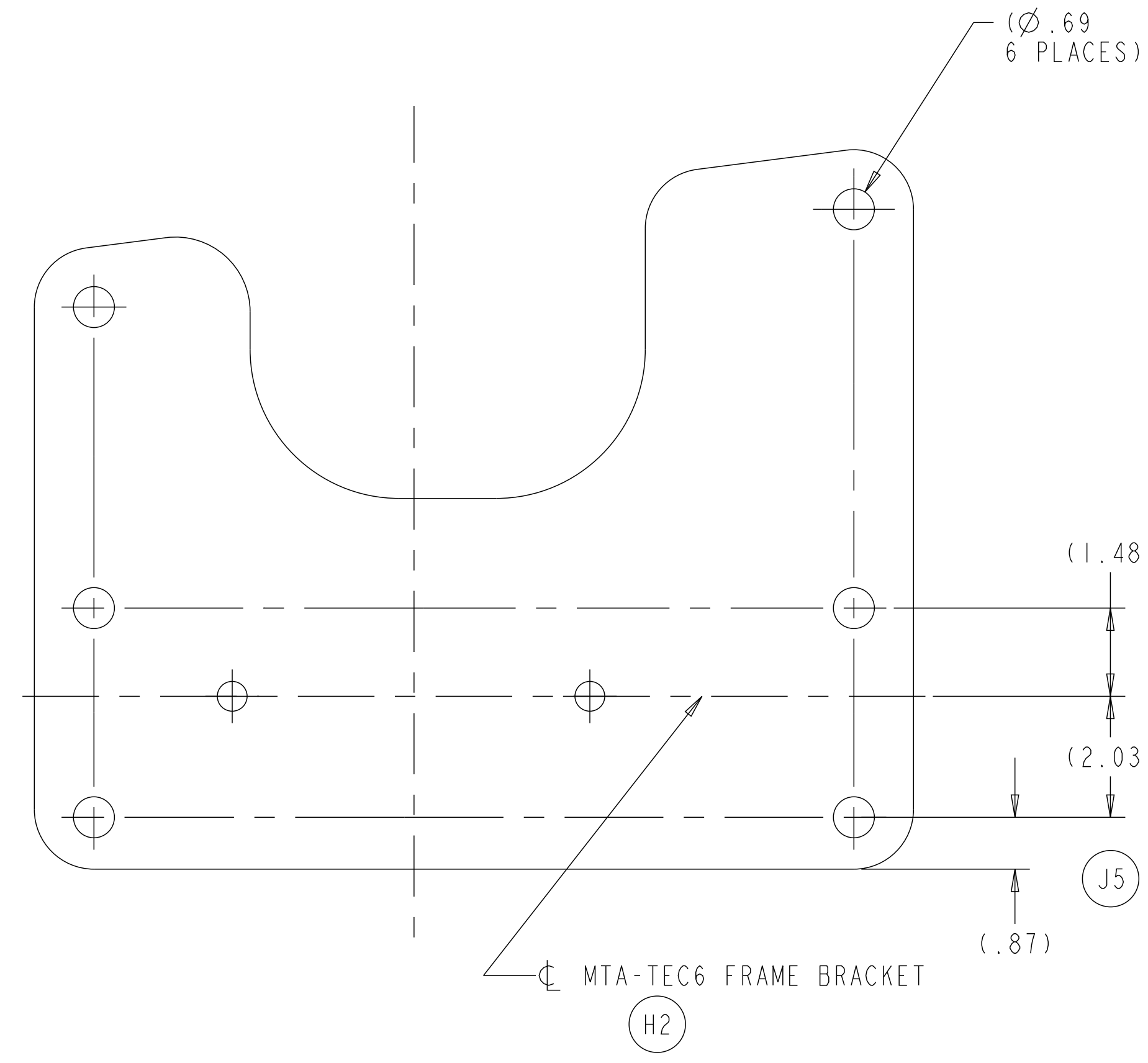
| | | | | | | | | |
|---|--|---------------------------------|---|--|---------------------------------|--|-------------------|--------------|
| APPLY SPECIFIED MERITOR MARKINGS PER DRAFTING ENGINEERING STANDARDS D-004 | THIS PRINT IS LOANED ON A CONFIDENTIAL BASIS SUBJECT TO RETURN UPON DEMAND BY MERITOR AND NOTHING HEREON MAY BE REPRODUCED, USED OR DISCLOSED IN WHOLE OR IN PART WITHOUT THE PRIOR WRITTEN PERMISSION OF MERITOR. | MATERIAL PROCESS | APPROVED PROJ. ENG. SAIEG MATERIAL SPECIAL | DRAWN BY C. HOLT 09-22-11 | CHECKED BY SAIEG 09-22-11 | 3RD ANGLE PROJECTION | DRAWING SIZE E | MERITOR INCH |
| | | | C. H. / T. E. NO. APP. NO. 122647-002 | ORIGINAL FOR MTA TOP & LOW MOUNT | SCALE 1:2 | DESIGN CONTROL GROUP TRAILER NA | PART NO. | |
| 4 IN. 10THS. 100MM | | WEIGHT 0.000 LBS RGH. / FIN. | INDUSTRY NO. | 115875 PART/DWG NO. 5-66241AG_01 EDC 00050 | | NAME MTA TOP & LOW MOUNT BOLT-ON MOUNTING LAYOUT PAGE 1 OF 3 | | PAGE 1 / 3 |

ROADSIDE FRAME BRACKET WITH COMPACT TOP PLATE

HOLE PATTERN: C#STANDARD

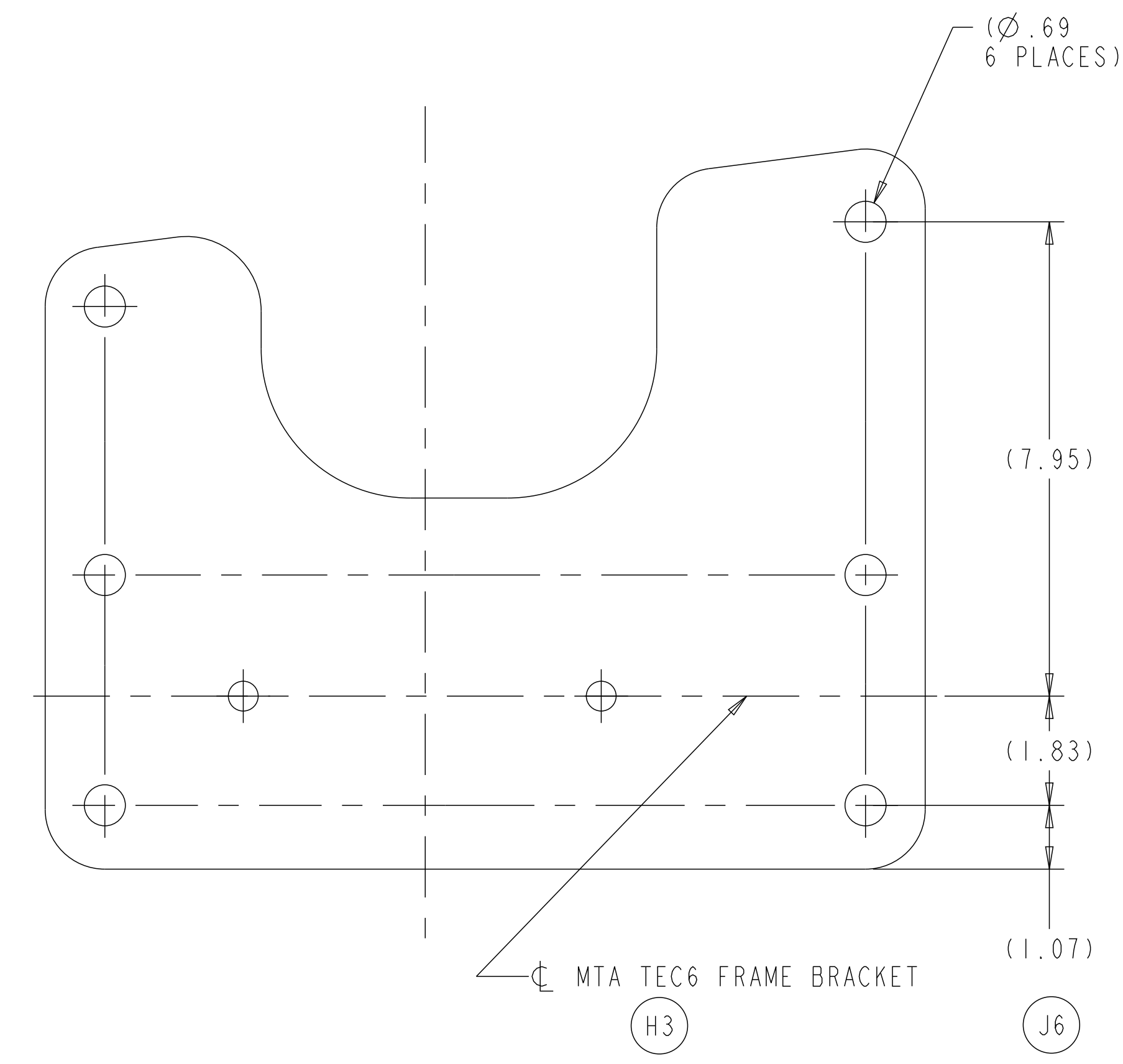


HOLE PATTERN: C#1



(ALL OTHER INFO. SEE C#STANDARD)

HOLE PATTERN: C#3



(FOR ALL OTHER INFO. SEE C#STANDARD)

| SIM. PARTS | | |
|------------|---|--------------------------------------|
| REVISIONS | | |
| F | ADDED SHEET-2 FOR COMPACT DESIGN | ECN-128640 28-Mar-16 SKS SS |
| G | NO CHANGE TO THIS PAGE | ECN-132746 01-Jul-16 SKS SS |
| H | 1-3-UPDATED MTA-TEC6 FRAME LOCATION AND REDIMENSIONED HOLES TO NEW LOCATION | ECN-141857 24-JAN-18 LGS NB |
| J | 4-6-ADDED REFERENCE DIMENSIONS | ECN-147394 22-MAR-18 CH MS |
| K | UPDATED PICTORIAL REPRESENTATION TO AGREE WITH CURRENT TOP PLATE | ECN-158974 09-MAY-19 EB SRB |

| CAD FILES | |
|---------------|---------|
| NAME | TYPE |
| 5-66241AG K.3 | DRAWING |
| 5-66241AG K.2 | MODEL |

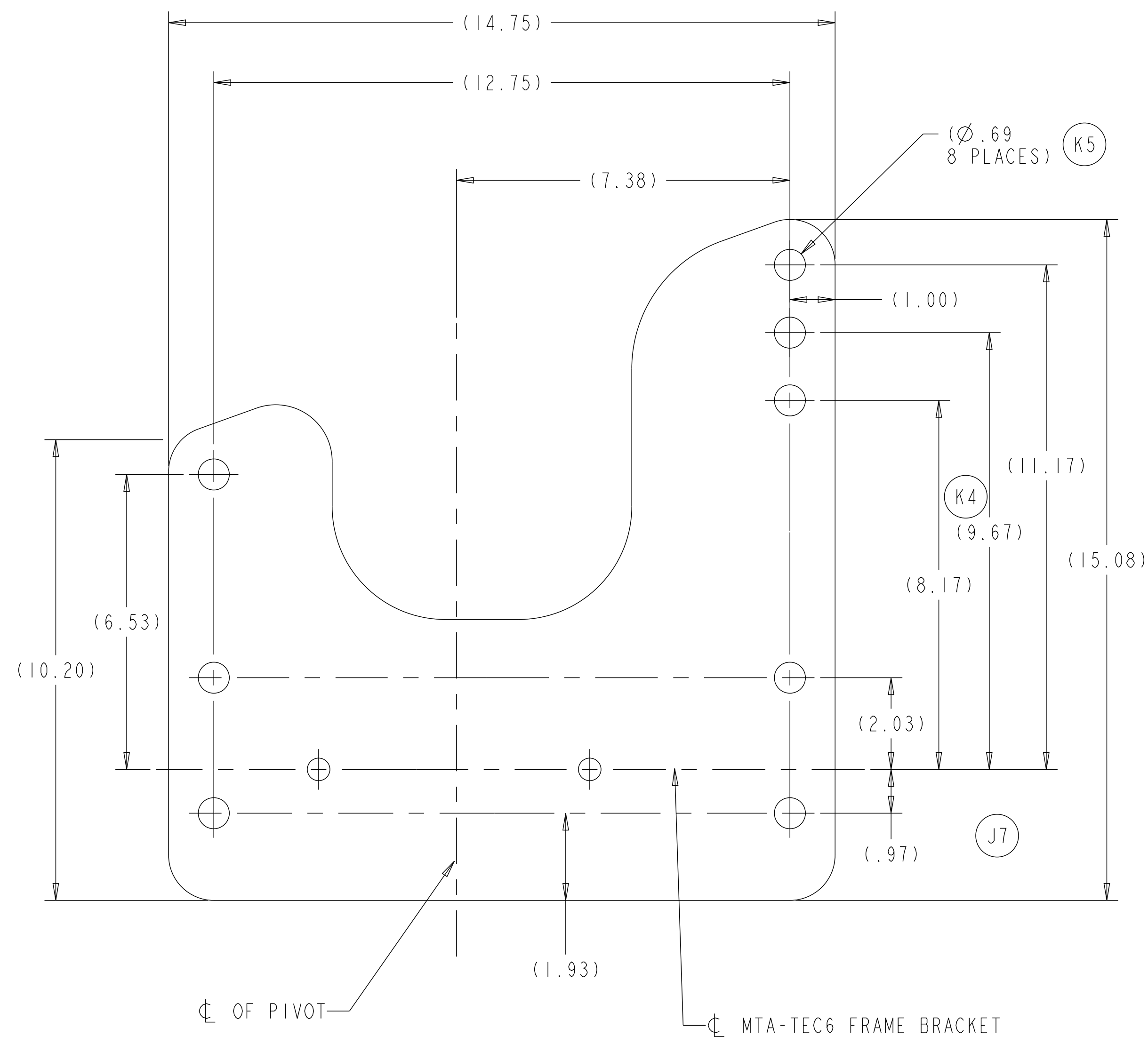
DO NOT CHANGE MANUALLY

| | | | | | | | | | |
|---|--|---------------------|---------------------------------|-----------------------------------|----------------------------------|------------------------------------|-------------------|--|------|
| APPLY SPECIFIED MERITOR MARKINGS PER DRAFTING ENGINEERING STANDARDS 0-004 | THIS PRINT IS LOANED ON A CONFIDENTIAL BASIS SUBJECT TO RETURN UPON DEMAND BY MERITOR AND NOTHING HEREON MAY BE REPRODUCED, USED OR DISCLOSED IN WHOLE OR IN PART WITHOUT THE PRIOR WRITTEN PERMISSION OF MERITOR. | MATERIAL PROCESS | APPROVED S. S. | DRAWN BY S. K. S. 07-Sep-15 | CHECKED BY S. S. 07-Sep-15 | 3RD ANGLE PROJECTION | DRAWING SIZE E | | INCH |
| | | | C.F.T.E. NO. APP. NO. 128762 | ORIGINAL FOR MTA BOLT-ON | SCALE 1:2 | DESIGN CONTROL GROUP TRAILER NA | PART NO. | | |

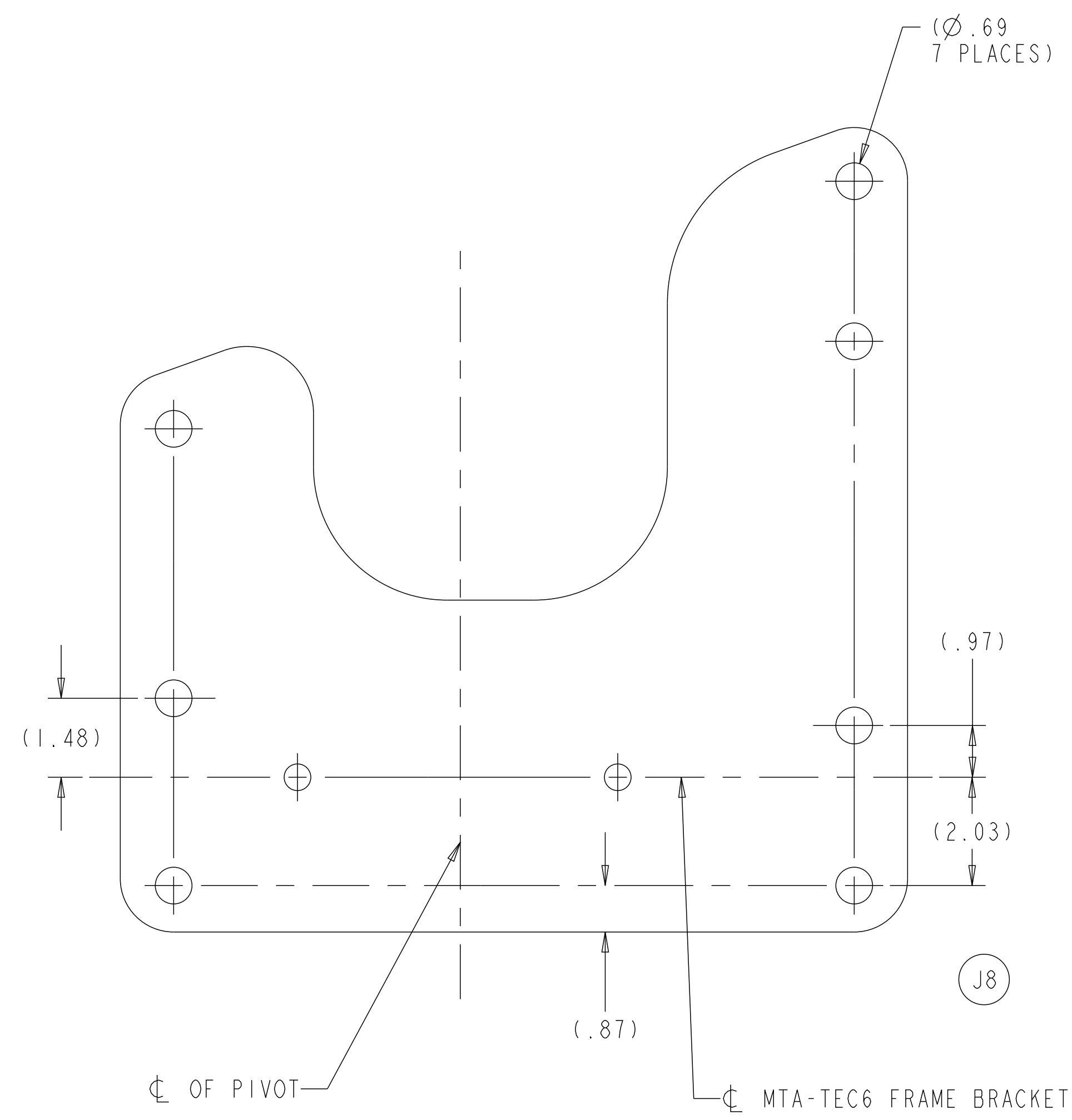
| | | |
|---------|---|----------------|
| 115875 | PART/DWG NO. 5-66241AG_01 | EDC 00050 |
| RELEASE | NAME MTA TOP & LOW MOUNT BOLT-ON MOUNTING LAYOUT | PAGE 2 OF 3 |

ROADSIDE FRAME BRACKET SHOWN

HOLE PATTERN: S#STANDARD

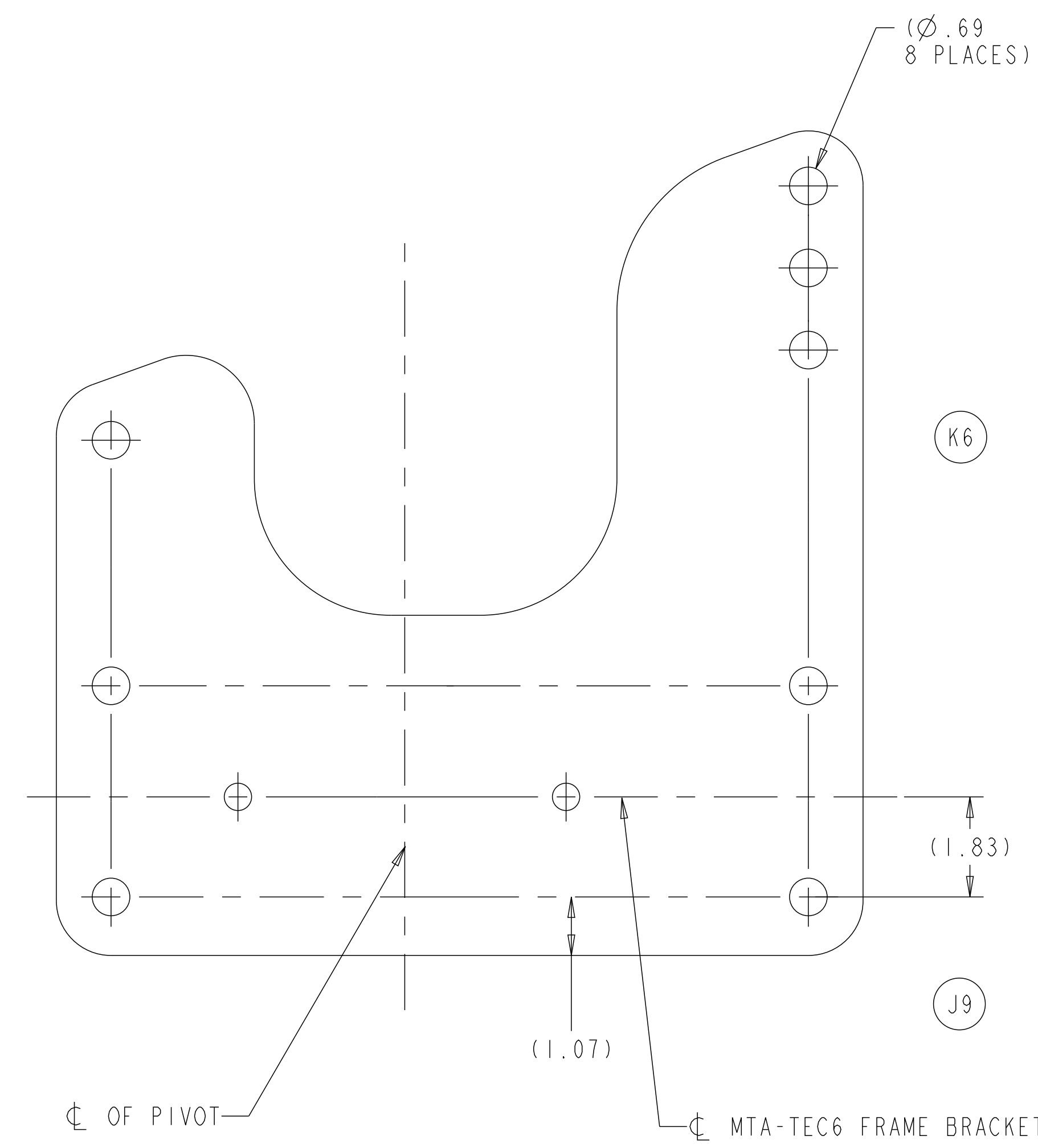


HOLE PATTERN: S#1



(ALL OTHER INFO. SEE S#STANDARD)

HOLE PATTERN: S#3

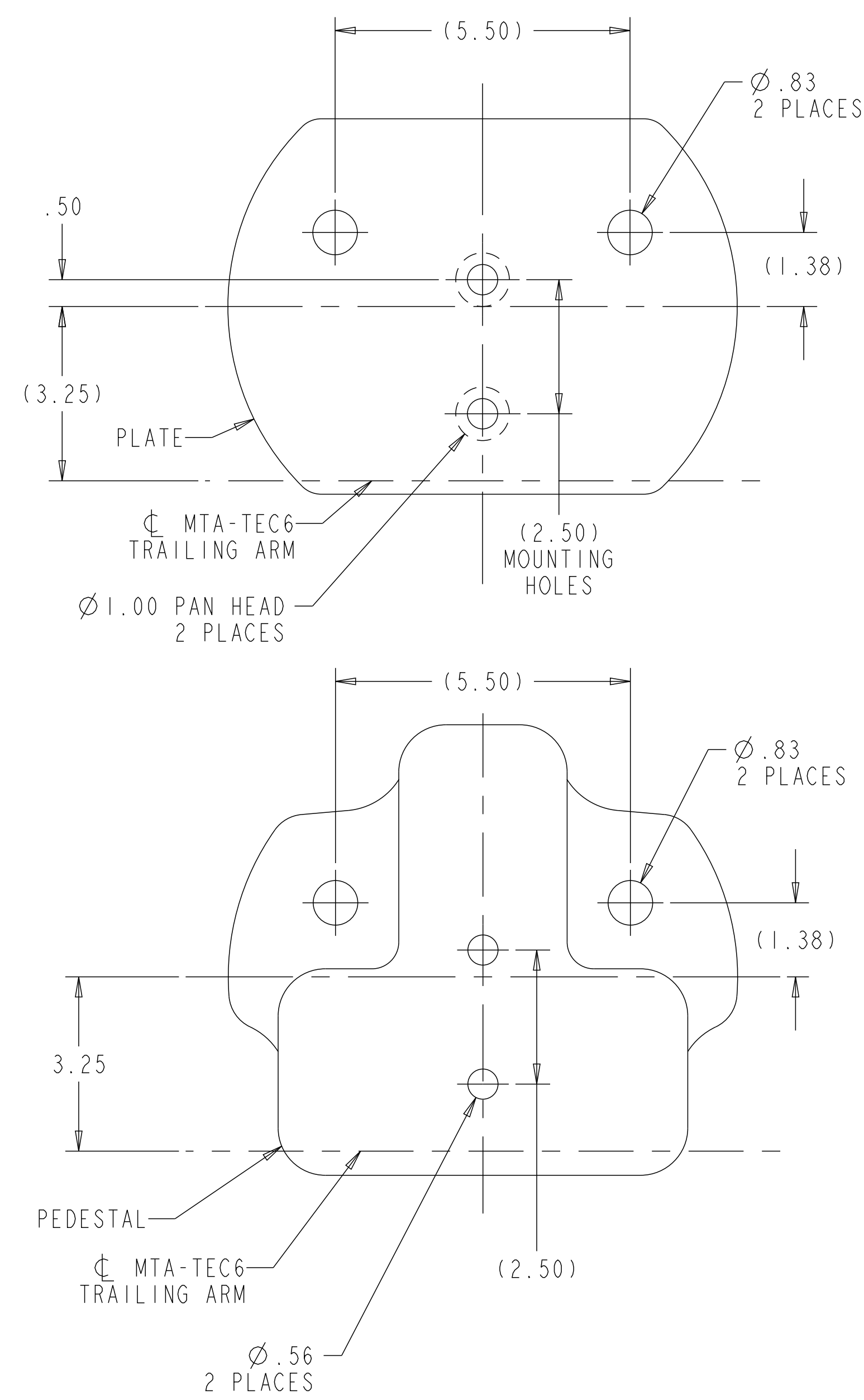


(FOR ALL OTHER INFO. SEE S#STANDARD)

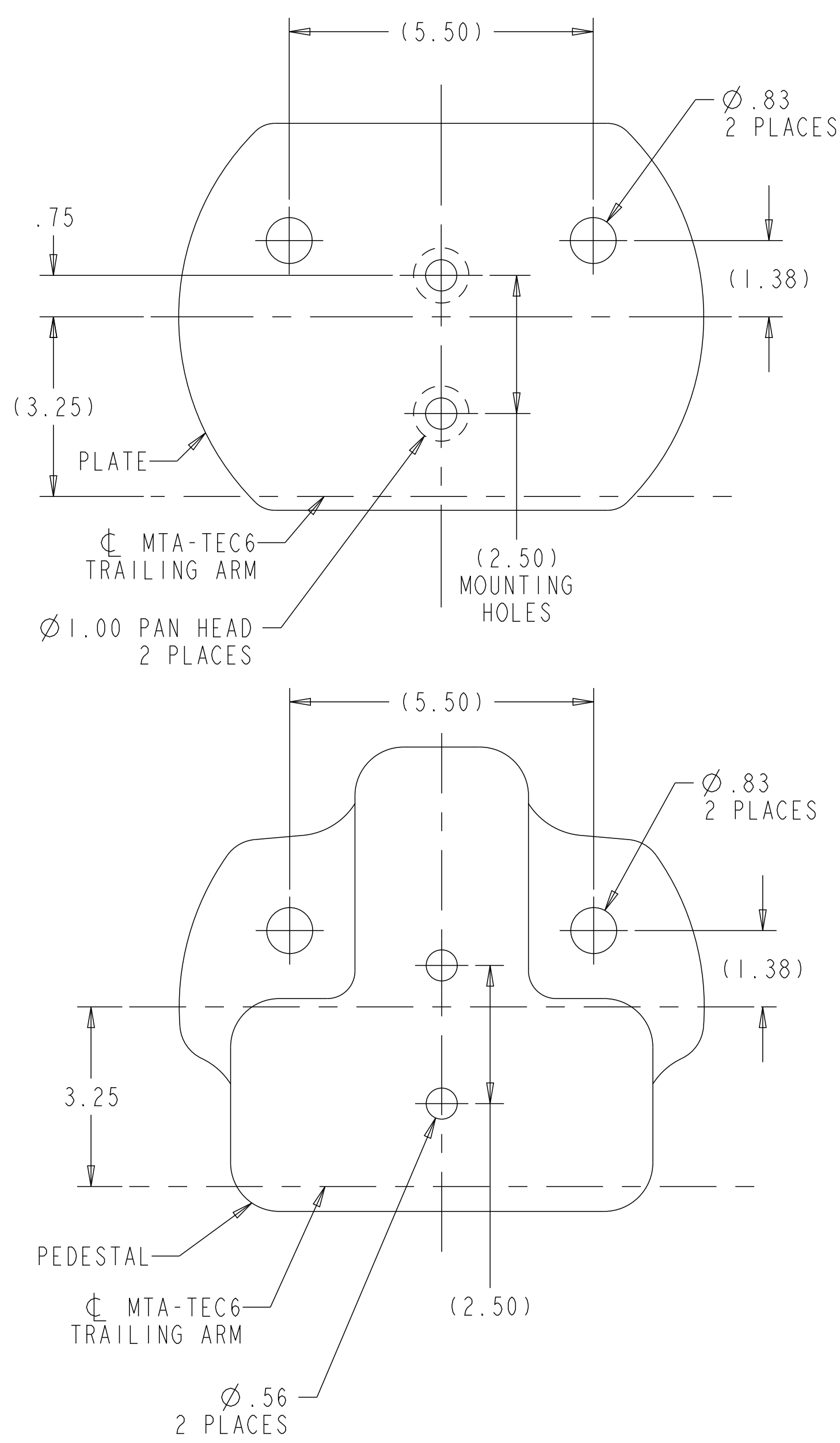
| SIM. PARTS | | 3305U1581 | |
|------------|---|-------------------------|-----------|
| REVISIONS | | | |
| G | ADDED MTA-TEC6-23T PEDESTAL HOLE PATTERN VIEWS | ECN-132746 01-JUL-16 | SKS SS |
| H | 3-ADDED MTA-TEC6-23L TOP PLATE PATTERN VIEWS 4-UPDATED NOTE | ECN-141857 24-JAN-18 | LGS NB |
| J | 7-9)ADDED REFERENCE DIMENSIONS | ECN-147394 22-MAR-18 | CH MS |
| K | UPDATED PICTORIAL REPRESENTATION TO AGREE WITH CURRENT TOP PLATE 4-ADDED DIMENSION 5-UPDATED HOLE NOTE 6-REMOVED DIMENSION | ECN-158974 09-MAY-19 | EB SRB |

ROADSIDE UPPER AIR SPRING PEDESTAL SHOWN

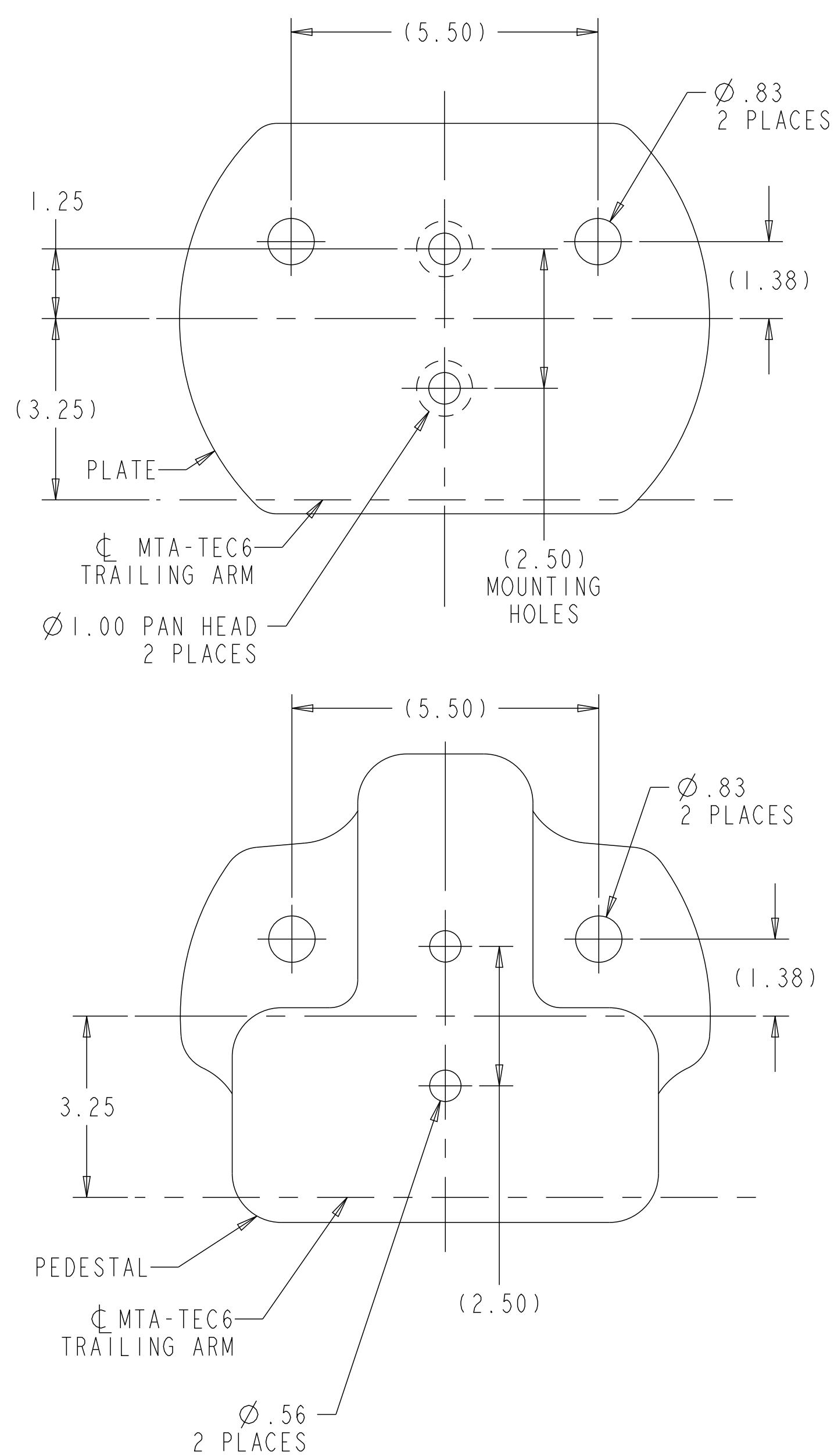
HOLE PATTERN: S#STANDARD



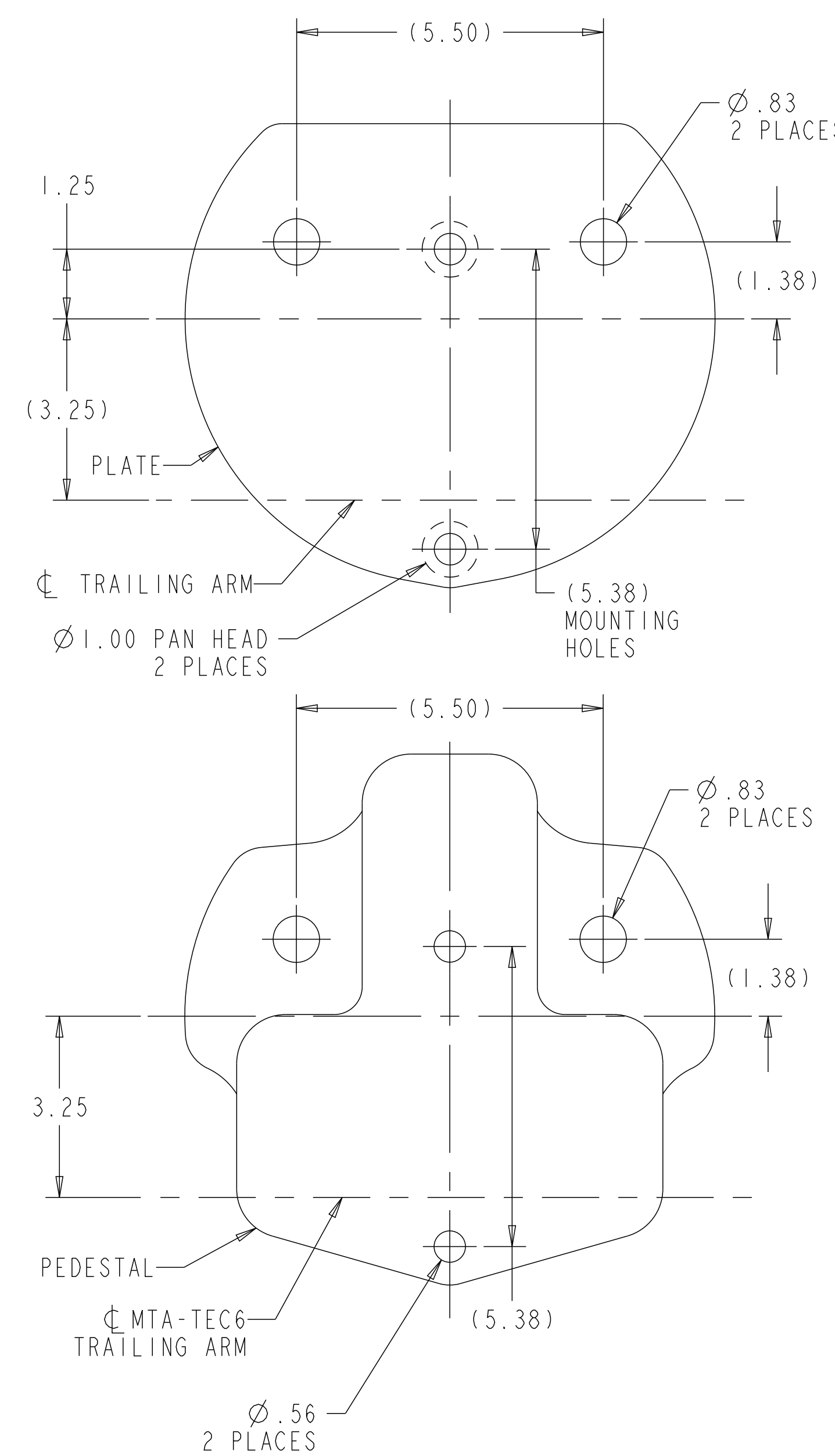
HOLE PATTERN: S#1



HOLE PATTERN: S#2



HOLE PATTERN: S#3



NOTE:
SOME MTA-TEC6-23L FRAME BRACKET TOP PLATES MAY HAVE ADDITIONAL FEATURES NOT SHOWN

| CAD FILES | |
|---------------|---------|
| NAME | TYPE |
| 5-66241AG K.3 | DRAWING |
| 5-66241AG K.2 | MODEL |

DO NOT CHANGE MANUALLY

| | | | | | | | | | | | |
|---|--|-------------|-------------------|----------|---------|--------------|------------|----------------------|--------------|--|------|
| APPLY SPECIFIED MERITOR MARKINGS PER DRAFTING ENGINEERING STANDARDS 0-004 | THIS PRINT IS LOANED ON A CONFIDENTIAL BASIS SUBJECT TO RETURN UPON DEMAND BY MERITOR AND NOTHING HEREON MAY BE REPRODUCED, USED OR DISCLOSED IN WHOLE OR IN PART WITHOUT THE PRIOR WRITTEN PERMISSION OF MERITOR. | MATERIAL | APPROVED | | | DRAWN BY | CHECKED BY | 3RD ANGLE PROJECTION | DRAWING SIZE | | INCH |
| | | PROCESS | PROJ. ENG. | MATERIAL | SPECIAL | S. K. S | S. S. | | E | | |
| 4 IN. 10THS. WEIGHT RGH./FIN. | | INQUIRY NO. | C. R. / T. E. NO. | APP. NO. | 128762 | ORIGINAL FOR | SCALE | DESIGN CONTROL GROUP | PART NO. | ECN-132746 PART/DWG NO. 5-66241AG_01 EDC 00050 NAME MTA TOP & LOW MOUNT BOLT-ON MOUNTING LAYOUT PAGE 3 OF 3 | |