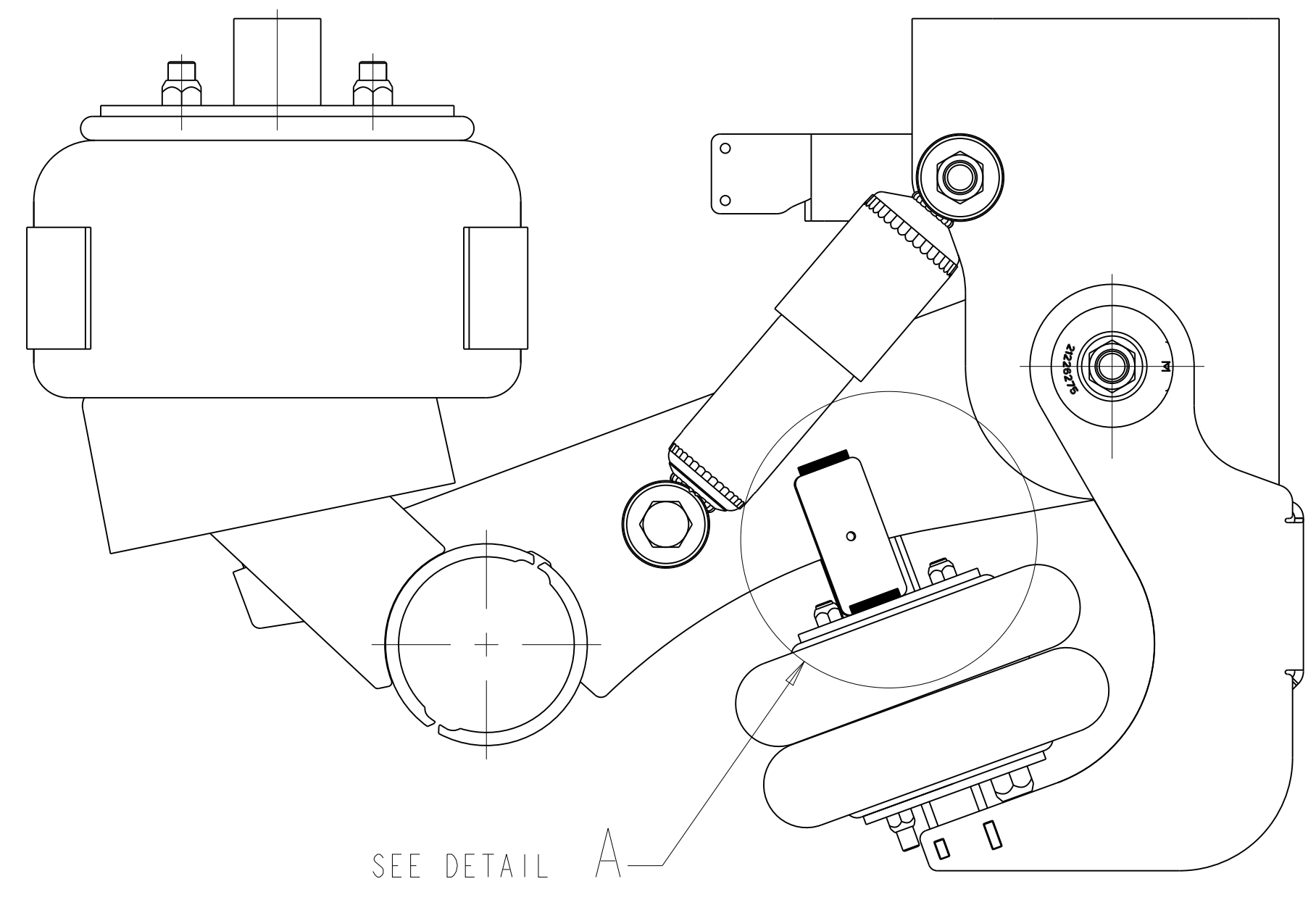
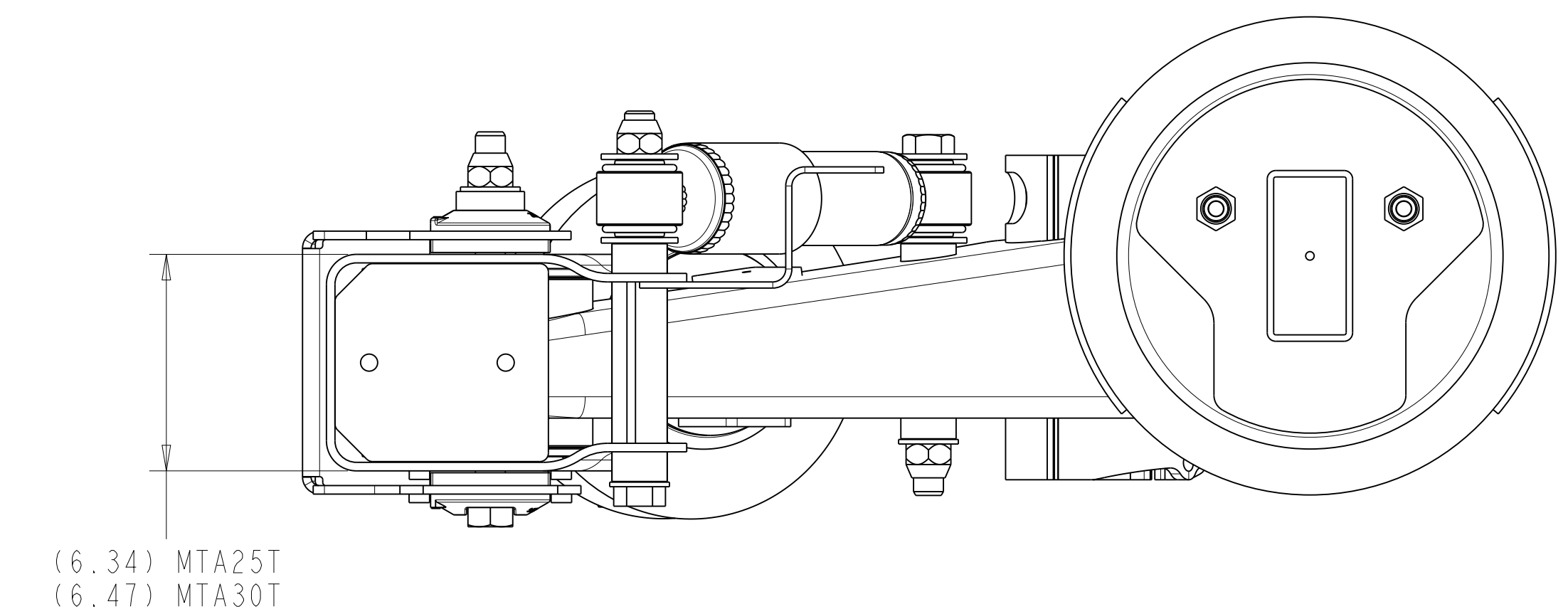


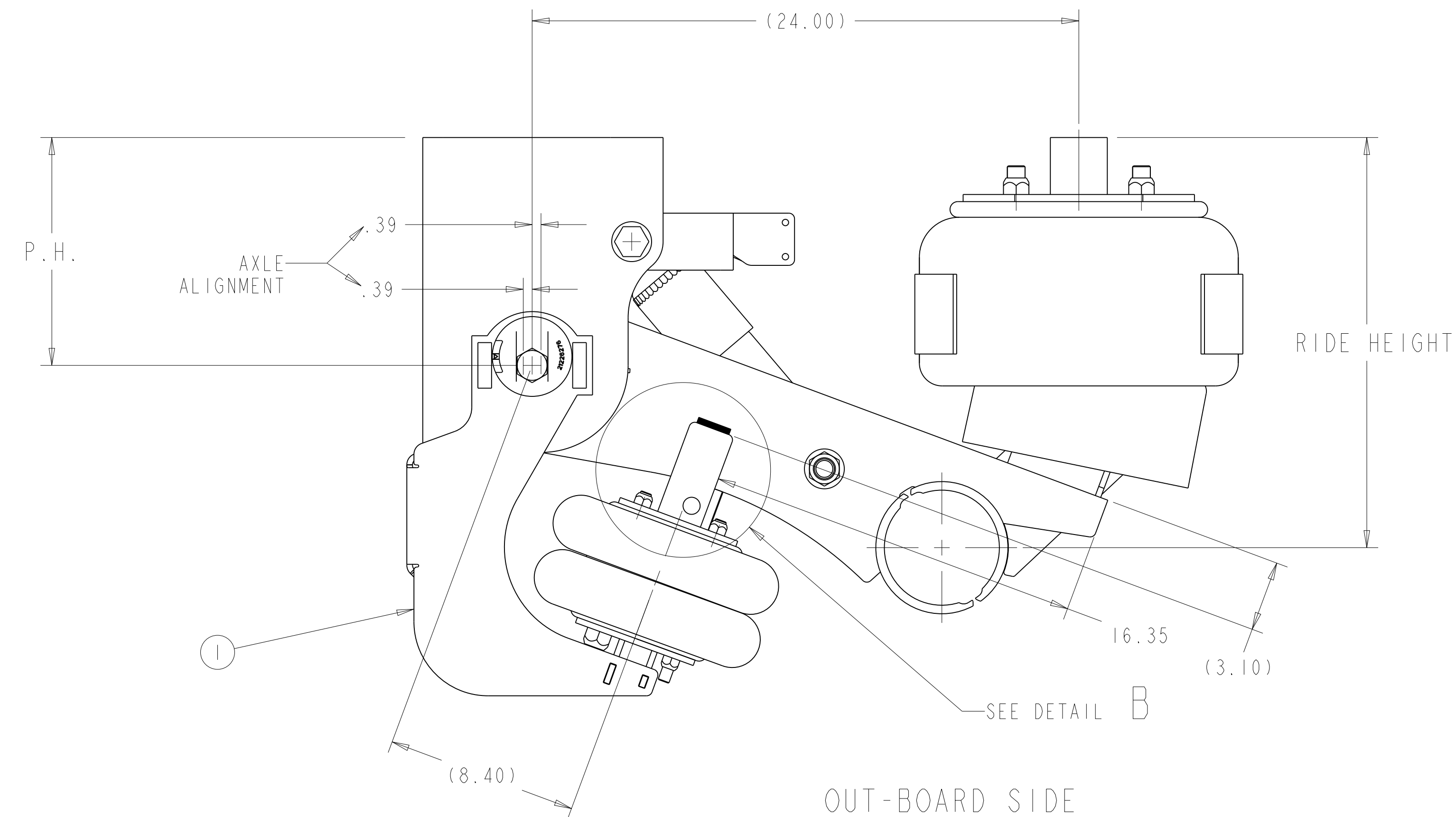
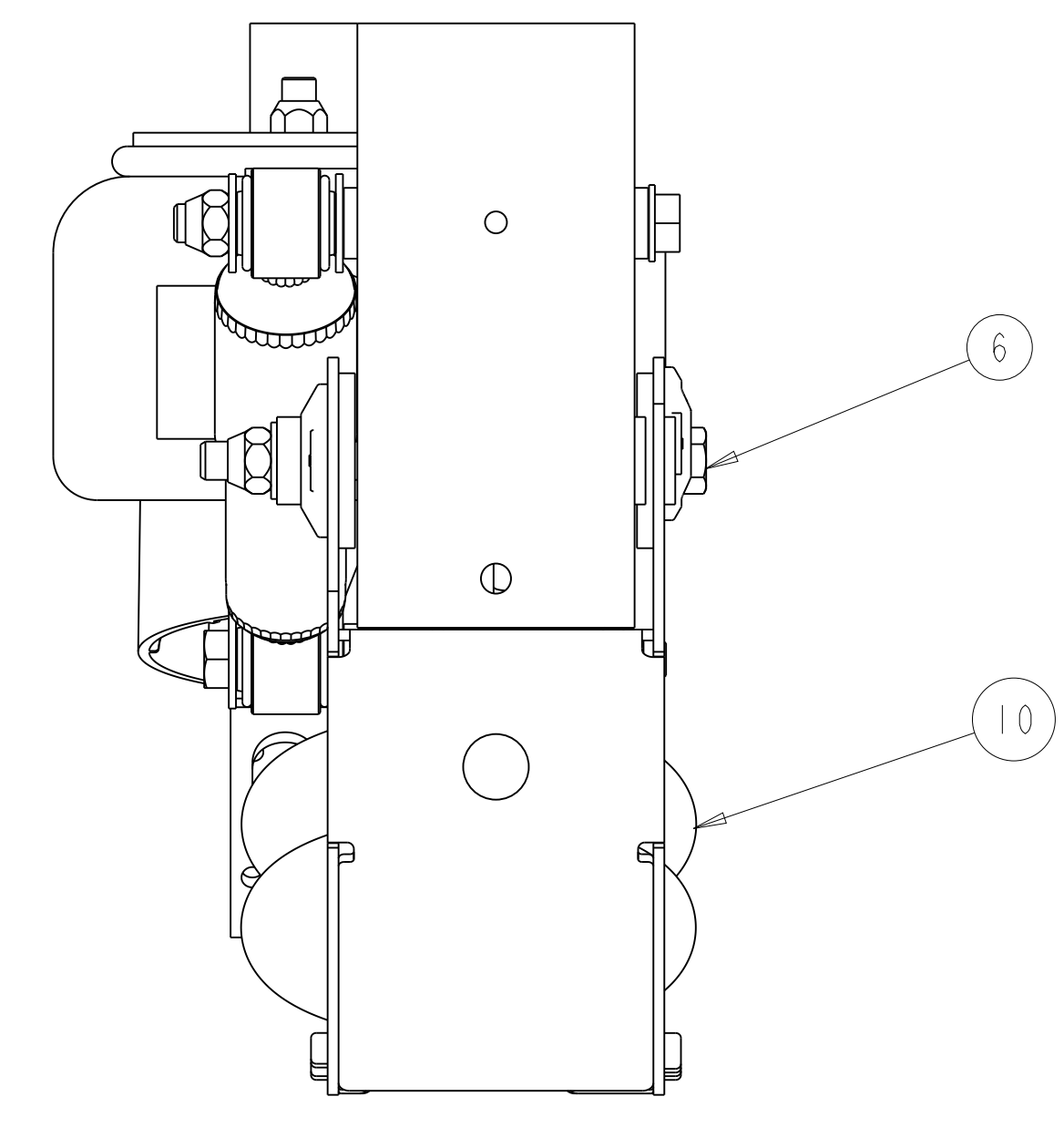
NOTES:

1. REMOVE PAINT IN WELD AREAS BEFORE WELDING
2. UPPER AIR SPRING PEDESTAL MUST CONTACT BOTTOM OF TRAILING ARM.
3. WELD SEQUENCE:
 - 1W OUT-BOARD PEDESTAL WALL TO TRAILING ARM
 - 2W IN-BOARD PLATE TO TRAILING ARM
 - 3W WELD IN-BOARD PLATE TO PEDESTAL
4. APPLY PAINT TO WELDED AREAS PER SPEC P81 AFTER WELDING
5. SEE WELDING AND GENERAL ARRANGEMENT LAYOUTS FOR ALL OTHER INFO

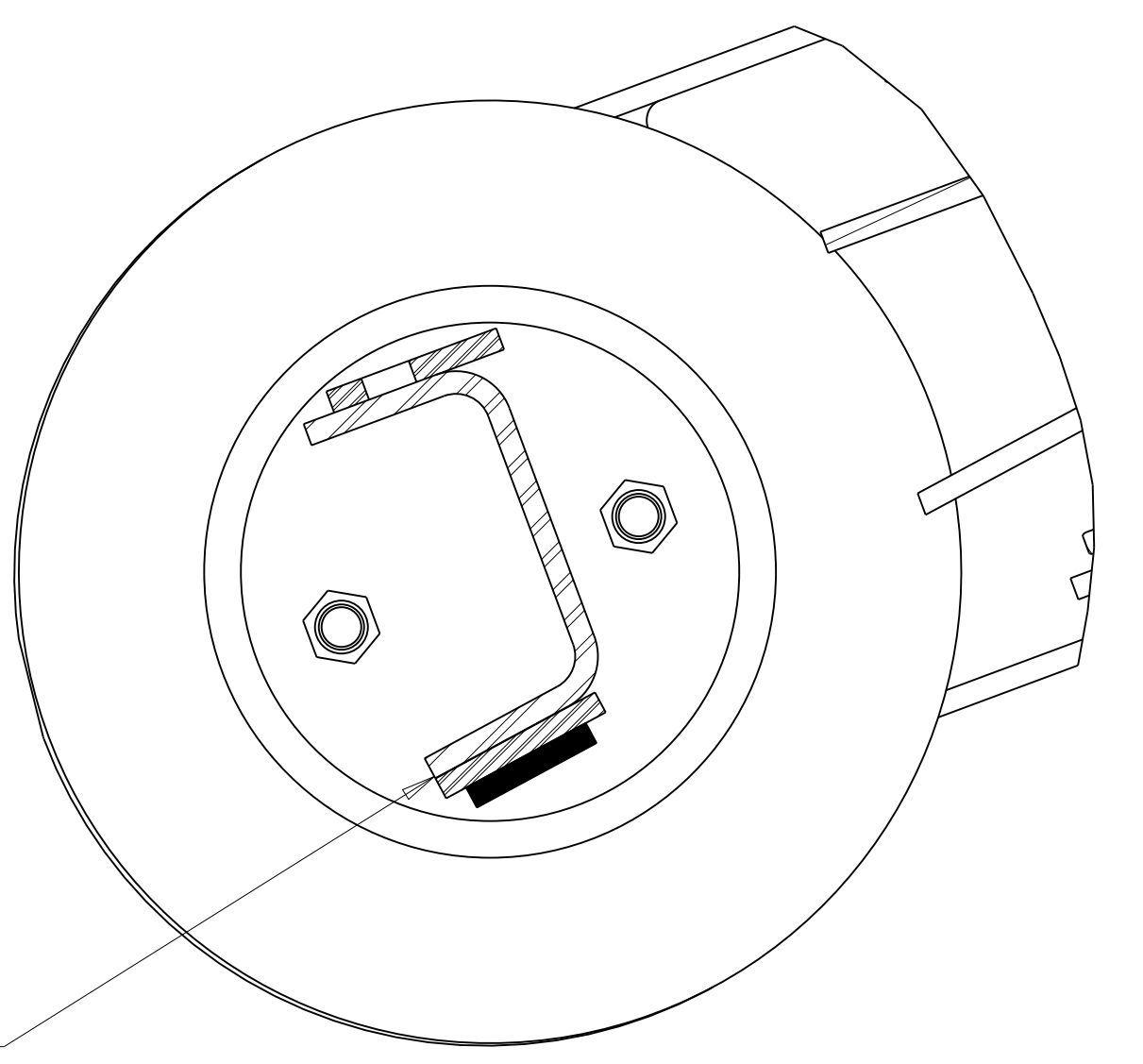
SIM. PARTS		5-67542A	
REVISIONS			
A	RELEASE 5-68942 FOR PRODUCTION	114572 04/01/11	CH SS
B	B1-B2- CAP SCREW WAS S-21484-M-2 & ADDED 1229-X-4964 BOSS	115555 04/13/11	CH SS
C	REVISED COMPONENTS TO LATEST REVISIONS, REMOVED NO PAINT ZONES, UPDATED BRACKET PLACEMENT AND WELDING	116440 08/02/11	CH SS
D	ADDED MTA23T INFO, SUSPENSION TRAVEL INFO AND LIFT KIT COMPONENT TABLES MOVED TO PAGE 2	116914 09/27/11	CH CW
E	LIFT HANGER BRACKET RE-DESIGNED, BRACKET PART NUMBERS AND VIEWS UPDATED	123206 05/05/14	CH SS
F	F1- REVISED NOTE FOR PIVOT NUT TORQUE - SHEET 1 F2- ADDED MAJOR CHARACTERISTIC SHEET 1 F3-F5- REVISED PART NUMBERS: 122905295 WAS 200259-6 1227X1766 WAS 1227-R-1604 SHEET 2	ECN-137447 02-13-17	JMK VL



IN-BOARD SIDE

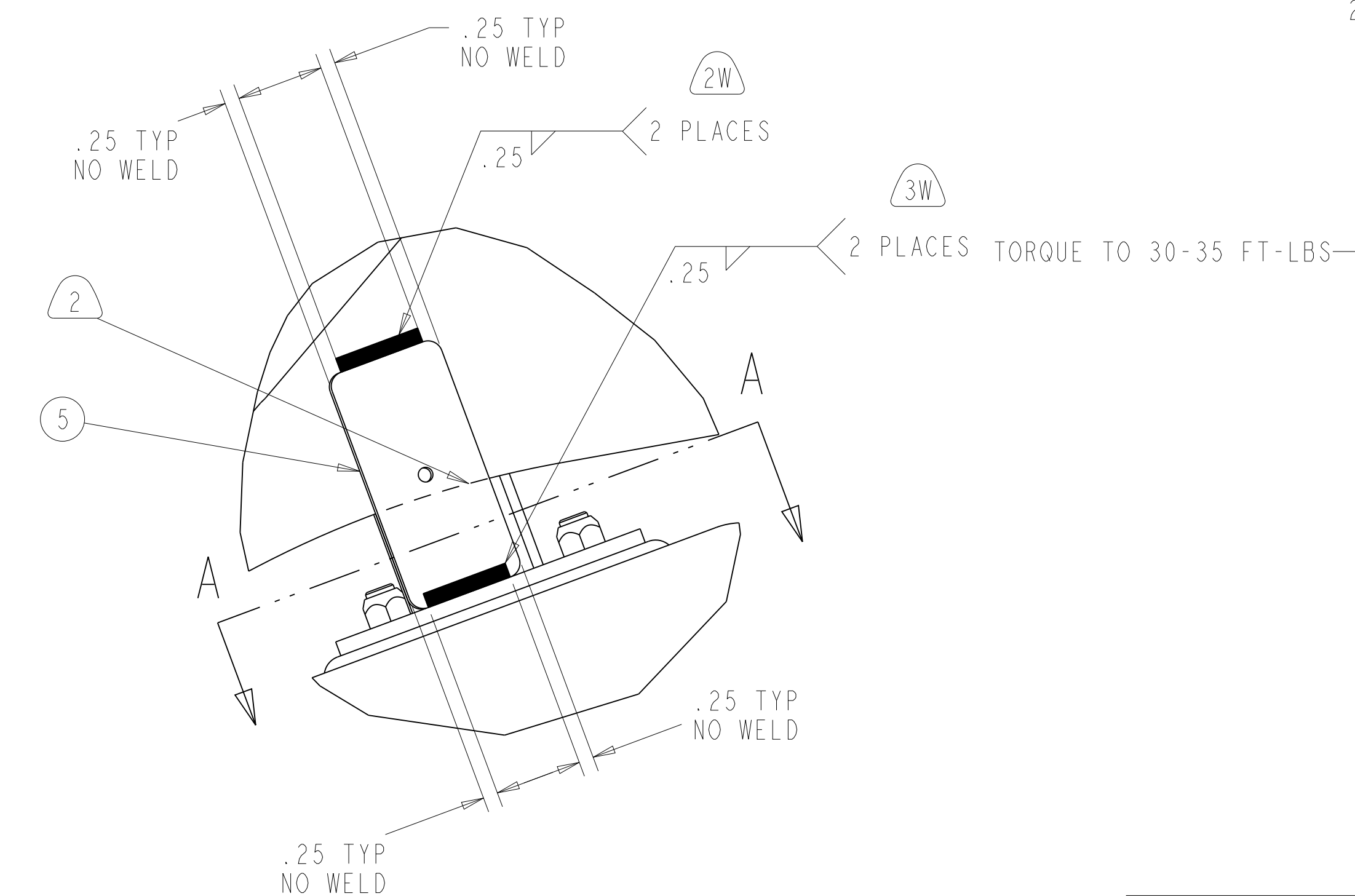


OUT-BOARD SIDE

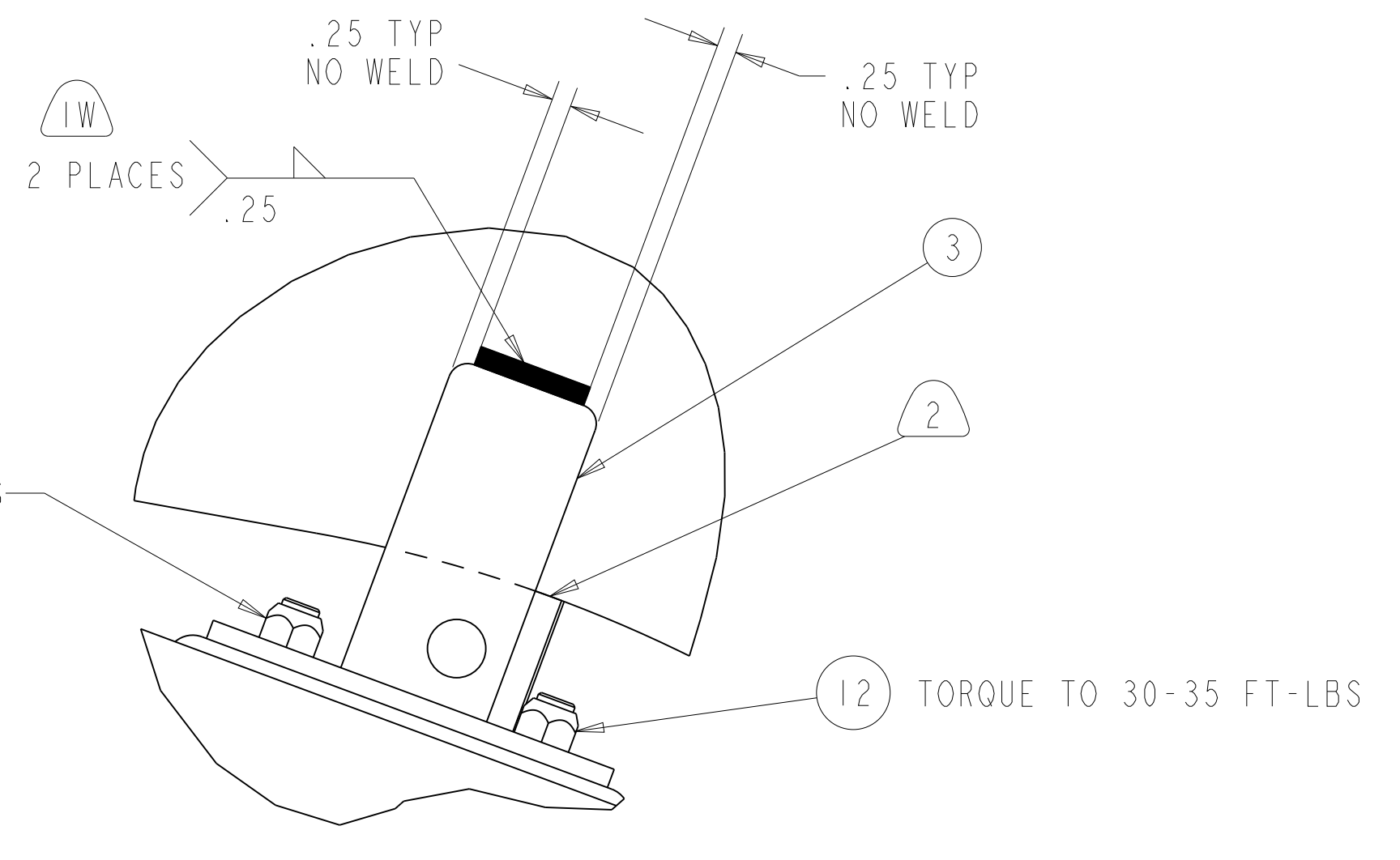


SECTION A-A

ALIGN EDGE OF PLATE WITH BACK EDGE OF PEDESTAL



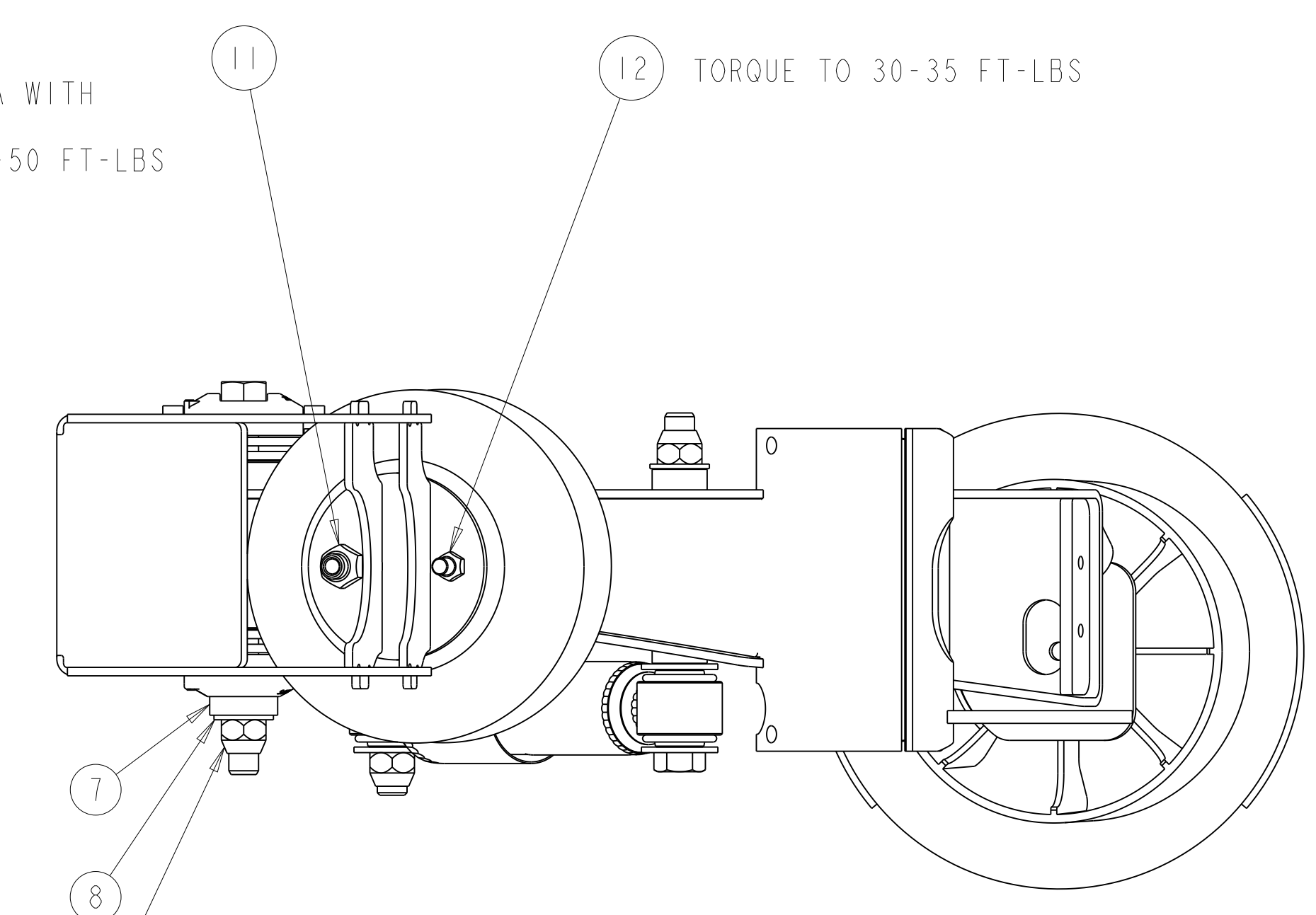
DETAIL A SCALE 1:2



DETAIL B SCALE 1:2

COMBO STUD 3/4-16 UNF-2A WITH 1/4 NPTF TORQUE TO 45-50 FT-LBS

TORQUE TO 30-35 FT-LBS



NOTE: AFTER PROPER INSTALLATION AND ALIGNMENT TO TRAILER PREFERRED TORQUE PROCEDURE: TORQUE PLUS ANGLE AT RIDE HEIGHT APPLY 180 FT-LBS OF TORQUE PLUS 180° ANGLE (SEE MAINTENANCE MANUAL MMI4M FOR DETAILED PROCEDURE) ALTERNATE TORQUE PROCEDURE: TORQUE ONLY AT RIDE HEIGHT TORQUE TO 440-470 FT-LBS ONLY

QUALITY CONTROL CHARACTERISTICS
 (A) DENOTES MAJOR CHARACTERISTIC
 (F2) (A) PIVOT NUT TORQUE PLUS ANGLE

SUSPENSION TRAVELS AND COMPONENT TABLES SHOWN ON PAGE 2

(MTA25T WELD-ON SUSPENSION, ROAD SIDE POSITION SHOWN)

CAD FILES	
FILE NAME	REV. VER
DRAWING 5-68942	-
ASSEM 5-68942	-

THIS PRINT IS LOANED ON A CONFIDENTIAL BASIS SUBJECT TO RETURN UPON DEMAND BY MERITOR AND NOTHING HEREON MAY BE REPRODUCED, USED OR DISCLOSED IN WHOLE OR IN PART WITHOUT THE PRIOR WRITTEN PERMISSION OF MERITOR.

PROJ. ENG.	MATERIAL	SPECIAL	DRWN BY	CHECKED BY	3RD ANGLE PROJECTION
SAIEG			C. HOLT 12-22-10	S. S. 01-05-11	

APPROVED	SCALE	DESIGN CONTROL GROUP	PART NO.
	1:4	INSTALLATION	

114572	PART/DWG NO.	5-68942	EDC
RELEASE	NAME	MTA SERIES LIFT KIT	04627
			PAGE 1 OF 2

4 IN. 100MM
 WEIGHT RGH./FIN. LBS

DO NOT CHANGE MANUALLY

SIM. PARTS		5-67542A	
REVISIONS			
D	D1- ADDED MTA23T INFO, TABLES MOVED TO SHEET 2	116914 09/27/11	CH CW
E	E1- A-3305S3971 WAS A-3305S3061, A-3305T3972 WAS A-3305T3062 E2- A1-3305S3971 WAS A1-3305S3061, A1-3305T3972 WAS A1-3305T3062 E3- A2-3305S3971 WAS A2-3305S3061, A2-3305T3972 WAS A2-3305T3062	123206 01/17/14	CH SS
F	F3-F5- REVISED PART NUMBERS: 122905295 WAS 200259-6 1227X1766 WAS 1227-R-1604	ECN-137447 02-03-17	JMK VL

MTA23T WELD-ON SUSPENSION LIFT INFO				
P.H.	STD RIDE HEIGHT POSITION	LIFTABLE RIDE HEIGHT POSITION	LIFT	REBOUND
7.00	14.0	15.0	3.9	2.9
8.00	15.0	16.0	4.1	2.9
9.00	16.0	17.0	4.1	2.9
10.00	17.0	18.0	4.1	2.9

MTA23T BOLT-ON SUSPENSION LIFT INFO				
P.H.	STD RIDE HEIGHT POSITION	LIFTABLE RIDE HEIGHT POSITION	LIFT	REBOUND
7.38	14.0	15.0	3.9	3.3
8.38	15.0	16.0	3.9	3.3
9.38	16.0	17.0	4.1	3.3
10.38	17.0	18.0	4.1	3.3

MTA23T LIFT KIT COMPONENTS				
ITEM	PART NUMBER	DESCRIPTION	QTY	
1	A2-3305S3971	ASSY-AXLE LIFT (LH)	1	
2	A2-3305T3972	ASSY-AXLE LIFT (RH)	1	
3	A-3305-G-3075	ASSY-AXLE LIFT (LH)	1	
4	A-3305-H-3076	ASSY-AXLE LIFT (RH)	1	
5	3305-L-3080	PLATE SIDE	2	
6	S-21488-M-2	SCREW CAP	2	
7	1229-X-4964	BOSS	2	
8	122905295	WASHER-HARDENED	2	
9	1227X1766	NUT-LOCK,FIN	2	
10	A-2258-G-1489	SPRING AIR	2	
11	1227-M-1573	NUT-LOCK,FIN	2	
12	1227-B-1614	NUT-LOCK,FIN	6	

D1
E3
F3

MTA25T WELD-ON SUSPENSION LIFT INFO				
P.H.	STD RIDE HEIGHT POSITION	LIFTABLE RIDE HEIGHT POSITION	LIFT	REBOUND
7.00	14.0	15.0	3.8	3.0
8.00	15.0	16.0	4.0	3.0
9.00	16.0	17.0	4.0	3.0
10.00	17.0	18.0	4.0	3.0

MTA25T BOLT-ON SUSPENSION LIFT INFO				
P.H.	STD RIDE HEIGHT POSITION	LIFTABLE RIDE HEIGHT POSITION	LIFT	REBOUND
7.38	14.0	15.0	3.9	3.4
8.38	15.0	16.0	3.9	3.4
9.38	16.0	17.0	4.1	3.4
10.38	17.0	18.0	4.1	3.4

MTA25T LIFT KIT COMPONENTS				
ITEM	PART NUMBER	DESCRIPTION	QTY	
1	A-3305S3971	ASSY-AXLE LIFT (LH)	1	
2	A-3305T3972	ASSY-AXLE LIFT (RH)	1	
3	A-3305-G-3075	ASSY-AXLE LIFT (LH)	1	
4	A-3305-H-3076	ASSY-AXLE LIFT (RH)	1	
5	3305-L-3080	PLATE SIDE	2	
6	S-21488-M-2	SCREW CAP	2	
7	1229-X-4964	BOSS	2	
8	122905295	WASHER-HARDENED	2	
9	1227X1766	NUT-LOCK,FIN	2	
10	A-2258-G-1489	SPRING AIR	2	
11	1227-M-1573	NUT-LOCK,FIN	2	
12	1227-B-1614	NUT-LOCK,FIN	6	

E1
F4

MTA30T WELD-ON SUSPENSION LIFT INFO				
P.H.	STD RIDE HEIGHT POSITION	LIFTABLE RIDE HEIGHT POSITION	LIFT	REBOUND
7.31	14.0	15.0	3.9	3.3
8.31	15.0	16.0	4.1	3.3
9.31	16.0	17.0	4.1	3.3
10.31	17.0	18.0	4.1	3.3

MTA30T BOLT-ON SUSPENSION LIFT INFO				
P.H.	STD RIDE HEIGHT POSITION	LIFTABLE RIDE HEIGHT POSITION	LIFT	REBOUND
7.38	14.0	15.0	3.9	3.4
8.38	15.0	16.0	3.9	3.4
9.38	16.0	17.0	4.0	3.4
10.38	17.0	18.0	4.0	3.4

MTA30T LIFT KIT COMPONENTS				
ITEM	PART NUMBER	DESCRIPTION	QTY	
1	A1-3305S3971	ASSY-AXLE LIFT (LH)	1	
2	A1-3305T3972	ASSY-AXLE LIFT (RH)	1	
3	A-3305-G-3075	ASSY-AXLE LIFT (LH)	1	
4	A-3305-H-3076	ASSY-AXLE LIFT (RH)	1	
5	3305-L-3080	PLATE SIDE	2	
6	S-21488-M-2	SCREW CAP	2	
7	1229-X-4964	BOSS	2	
8	122905295	WASHER-HARDENED	2	
9	1227X1766	NUT-LOCK,FIN	2	
10	A-2258-G-1489	SPRING AIR	2	
11	1227-M-1573	NUT-LOCK,FIN	2	
12	1227-B-1614	NUT-LOCK,FIN	6	

E2
F5

DO NOT CHANGE MANUALLY

	THIS PRINT IS LOANED ON A CONFIDENTIAL BASIS SUBJECT TO RETURN UPON DEMAND BY MERITOR AND NOTHING HEREON MAY BE REPRODUCED, USED OR DISCLOSED IN WHOLE OR IN PART WITHOUT THE PRIOR WRITTEN PERMISSION OF MERITOR.	MATERIAL PROCESS	APPROVED SAIEG	SPECIAL C. HOLT 09-27-11	DRAWN BY C. W. 09-27-11	CHECKED BY C. W. 09-27-11	3RD ANGLE PROJECTION 	DRAWING SIZE E		INCH	114572	PART/DWG NO. 5-68942	EDC 04627
											RELEASE	NAME MTA SERIES LIFT KIT	PAGE 2 OF 2
APPLY SPECIFIED MERITOR MARKINGS TO DRAFTING ENGINEERING STANDARDS 6-004			C.F.T.E. NO. APP. NO. 121640		ORIGINAL FOR MTA		SCALE 1:4		DESIGN CONTROL GROUP INSTALLATION		PART NO.		