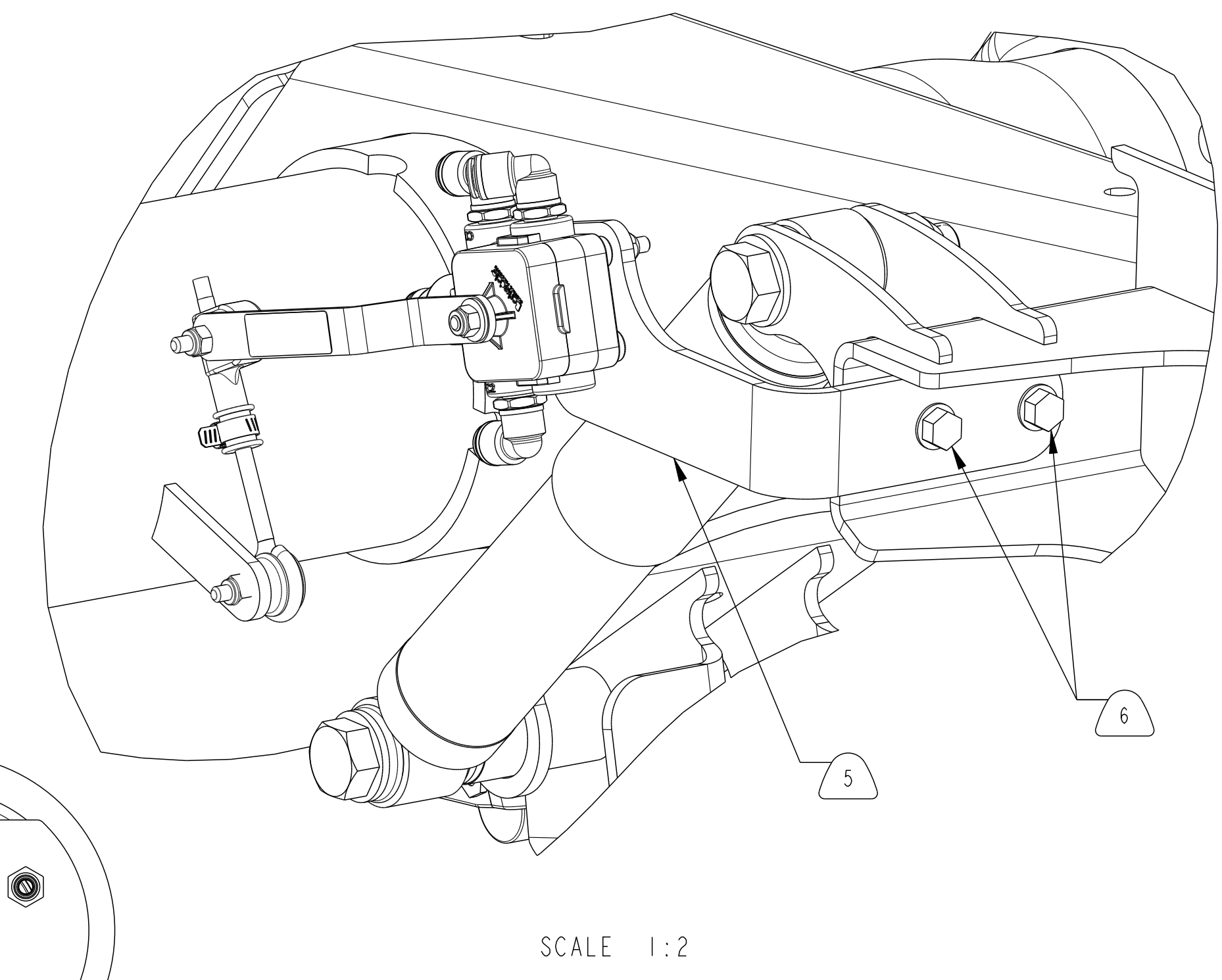
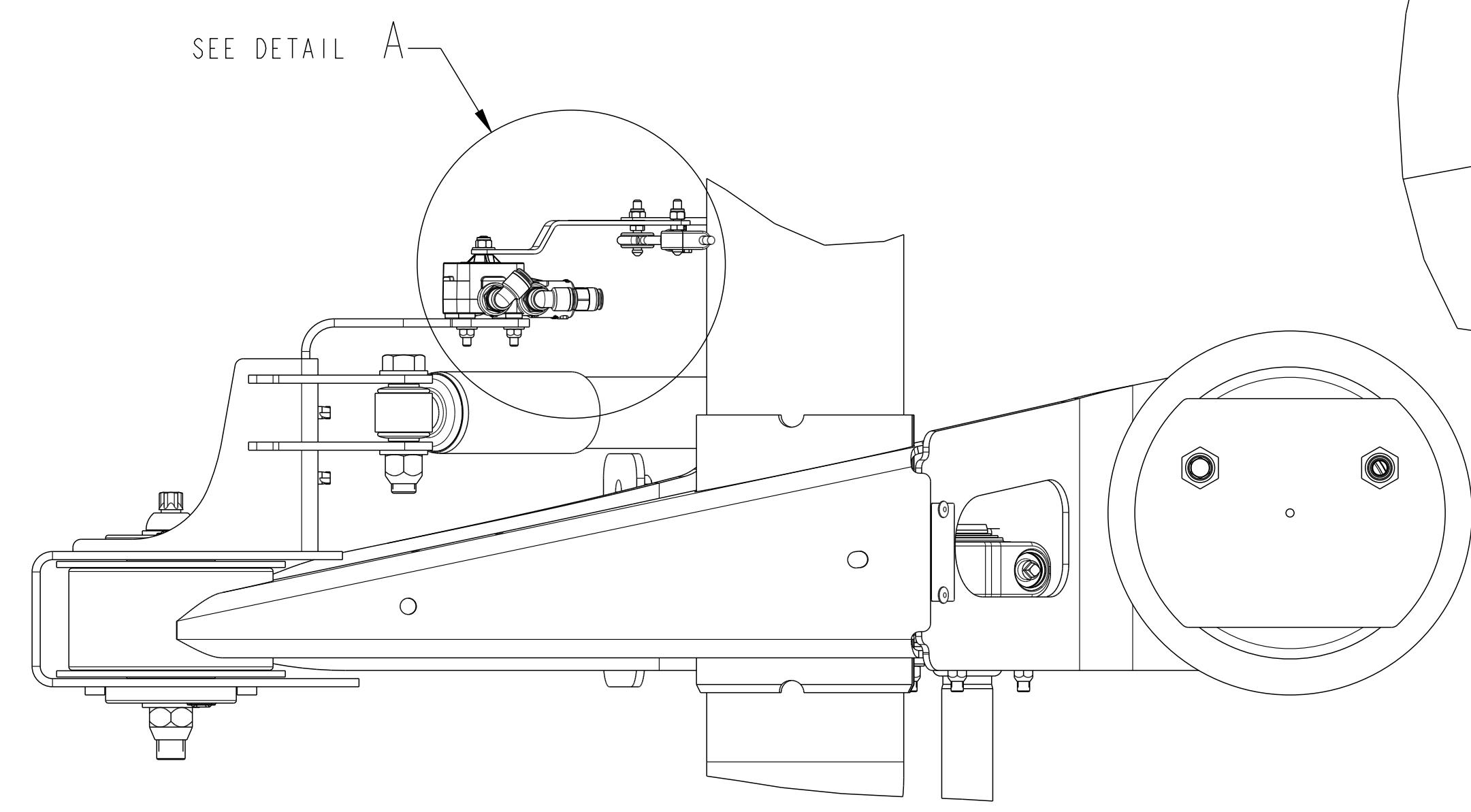
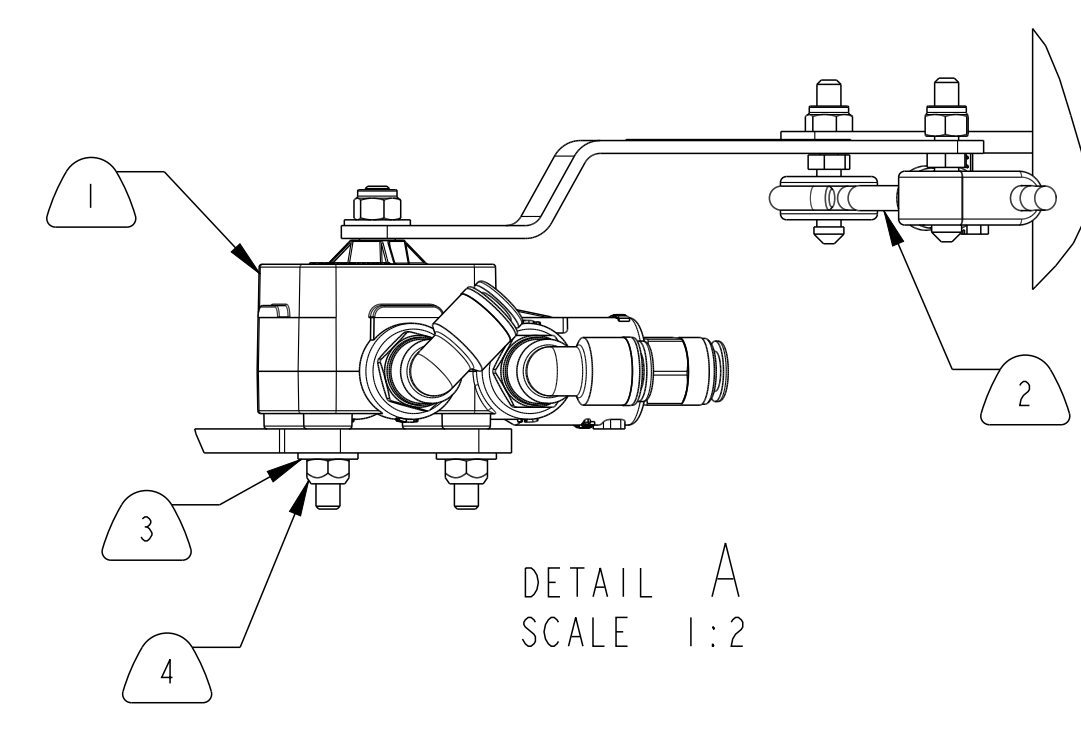


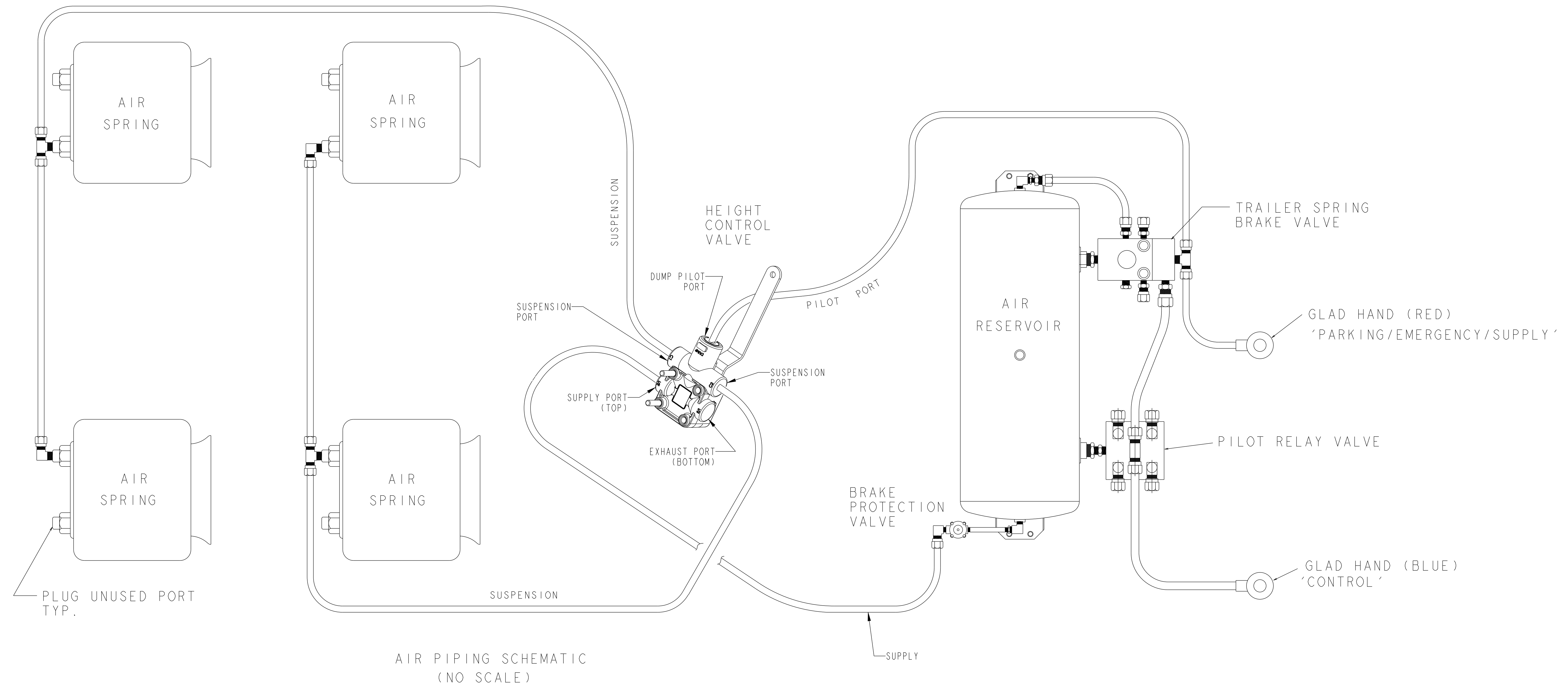
Revision: B.3
STATE: Engineering Released
EXPORT_CONTROL=EAR - EAR99

24 23 22 21 20 19 18 17 16 15 14 13 12 11 10 9 8 7 6 5 4 3 2 1

- NOTES:
- 1 A-7806E1097 HEIGHT CONTROL VALVE ASSEMBLY (WITH DUMP)
 - 2 A-1245M1209 LINK ASSEMBY (8.50" LENGTH)
 - 3 WA34 WASHER FLAT (2) REQUIRED
 - 4 NL24-1 NUT-LOCK, FIN. (2) REQUIRED
 - 5 3299P7738 BRACKET-HEIGHT CONTROL VALVE
 - 6 10X1614 SCREW-SELF TAPPING (2) REQUIRED
 - 7. DO NOT ADD LUBRICATION TO AIR SYSTEM
 - 8. ALL CONNECTIONS MUST BE LEAK FREE
 - 9. AVOID SHARP BENDS IN AIR LINES
 - 10. CUSTOMER TO SUPPLY ALL TUBING AND FITTINGS



SIM. PARTS		REVISIONS	
A	INITIAL RELEASE	ECN-165866 17-JAN-20	MDM SS
B	UPDATED COMPONENTS TO LATEST REVISIONS	ECN-166379 17-JUN-20	MDM SS



DO NOT CHANGE MANUALLY

24 23 22 21 20 19 18 17 16 15 14 13 12 11 10 9 8 7 6 5 4 3 2 1

APPLY SPECIFIED MERITOR MARKINGS PER DRAFTING ENGINEERING STANDARDS D-004	THIS PRINT IS LOANED ON A CONFIDENTIAL BASIS SUBJECT TO RETURN UPON DEMAND BY MERITOR AND NOTHING HEREON MAY BE REPRODUCED, USED OR DISCLOSED IN WHOLE OR IN PART WITHOUT THE PRIOR WRITTEN PERMISSION OF MERITOR.	MATERIAL PROCESS ORIGINAL FOR MTA-TEC-23L	PROJECT ENGINEER DRAWN BY CHECKED BY DESIGN CONTROL GROUP TRAILER N/A	3RD ANGLE PROJECTION 	ECN-165866 RELEASE	PART/DWG NO. 5-65443BL NAME SUSPENSION AIR SYSTEM ASSY	04498 ENG. DESG. CODE
					DRAWING SIZE E		INCH
4 IN. 10THS. 1:10MM	WEIGHT GRM./FIN.	SCALE 1:4	CHANGE REQUEST # CR-133500	DRAWING 5-65443BL B.3	MODEL 5-65443BL B.1	SHEET 1 OF 1	