



DELFOR

Delivery Schedule Message

EDIFACT/D96A/DELFOR: DELFOR Delivery schedule message

Version: 2.0

Company:	Cummins-Meritor
Publication:	4/25/2024
Modified:	4/25/2024
Notes:	.

Introduction

This document serves as a guideline to the manner in which Cummins-Meritor sends delivery schedules via Electronic Data Interchange (EDI). The delivery forecast (DELFOR) is used by Cummins-Meritor to replace the paper based schedule which is traditionally sent by Cummins-Meritor, to the supplier (whether by email, fax or post).

The delivery forecast message is based on (and fully compliant with) the following EDIFACT message:

Message : DELFOR
Version : D.96A

The DELFOR message is a message from buyer to supplier giving product requirements regarding details for short term delivery instructions and/or medium to long term product / service forecast for planning purposes according to conditions set out in the contract or order.

Conventions

1. All unused segments have been omitted from the definition. Unused elements have been omitted where possible. Only unused elements nested between used elements are included.

Communication Details

Third Party Value Added Networks (VAN)

In order for Cummins-Meritor to transmit documents to hundreds of Suppliers, we have chosen the VAN services of IBM third party network. Please contact managedsaas_support@us.ibm.com for communication testing.

This does not mean that you must sign up with these networks in order to communicate with us. Ask your network provider how to pass data through (Interconnect vs. direct connect) to GXS network – our preferred VAN.

Testing and Certification

Each new transaction set will require testing and certification by our EDI support staff. Once the transaction set has been certified, we will make arrangements with your EDI staff to begin transmission of data using the newly tested transaction set. For further details on how to obtain testing information, please e-mail all your inquiries to: cvsedieu@meritor.com

EDI Contact Europe

The following indicates the appropriate contact email to be used by suppliers when having an issue with an EDI transaction.

Contact : Cummins-Meritor Europe EDI Support - cvsedieu@meritor.com

Suppliers must remember that these contacts will only be able to assist with EDI issues. Issues related to Purchasing/Procurement, i.e. purchase order and data related information, must be directed to your Cummins-Meritor Purchase team.

Table of Contents

DELFOR	Delivery schedule message	1
	Branching Diagram - 1	2
	Branching Diagram - 2	3
	Branching Diagram - 3	4
UNB	INTERCHANGE HEADER	5
UNH	MESSAGE HEADER	7
BGM	BEGINNING OF MESSAGE	8
DTM	DATE/TIME/PERIOD	9
Group 2	Segment Group 2	10
NAD	NAME AND ADDRESS	11
UNS	SECTION CONTROL	12
Group 4	Segment Group 4	13
NAD	NAME AND ADDRESS	14
Group 8	Segment Group 8	15
LIN	LINE ITEM	16
LOC	PLACE/LOCATION IDENTIFICATION	17
DTM	DATE/TIME/PERIOD	18
Group 10	Segment Group 10	19
RFF	REFERENCE	20
Group 12	Segment Group 12	21
QTY	QUANTITY	22
SCC	SCHEDULING CONDITIONS	23
DTM	DATE/TIME/PERIOD	24
Group 13	Segment Group 13	25
RFF	REFERENCE	26
DTM	DATE/TIME/PERIOD	27
UNS	SECTION CONTROL	28
UNT	MESSAGE TRAILER	29
UNZ	INTERCHANGE TRAILER	30

DELFOR

Delivery schedule message

Message Status=2

Definition: A message from buyer to supplier giving product requirements regarding details for short term delivery instructions and/or medium to long term product/service forecast for planning purposes according to conditions set out in a contract or order. The message can be used to authorize the commitment of labour and materials resources.

Not Defined:

<u>Pos</u>	<u>Tag</u>	<u>Segment Name</u>	<u>Status</u>	<u>Rep</u>	<u>Notes</u>	<u>Usage</u>
	UNB	INTERCHANGE HEADER	M	1		Must use

Heading:

<u>Pos</u>	<u>Tag</u>	<u>Segment Name</u>	<u>Status</u>	<u>Rep</u>	<u>Notes</u>	<u>Usage</u>
0010	UNH	MESSAGE HEADER	M	1	N1/0010	Must use
0020	BGM	BEGINNING OF MESSAGE	M	1	N1/0020	Must use
0030	DTM	DATE/TIME/PERIOD	M	10	N1/0030	Must use
<u>0070</u>		<u>Segment Group 2</u>	<u>C</u>	<u>20</u>	<u>N1/0070</u>	<u>Used</u>
0080	NAD	NAME AND ADDRESS	M	1	N1/0080	Must use

Detail:

<u>Pos</u>	<u>Tag</u>	<u>Segment Name</u>	<u>Status</u>	<u>Rep</u>	<u>Notes</u>	<u>Usage</u>
0130	UNS	SECTION CONTROL	M	1	N2/0130	Must use
<u>0140</u>		<u>Segment Group 4</u>	<u>C</u>	<u>500</u>	<u>N2/0140</u>	<u>Must use</u>
0150	NAD	NAME AND ADDRESS	M	1	N2/0150	Must use
<u>0270</u>		<u>Segment Group 8</u>	<u>C</u>	<u>9999</u>	<u>N2/0270</u>	<u>Must use</u>
0280	LIN	LINE ITEM	M	1	N2/0280	Must use
0350	LOC	PLACE/LOCATION IDENTIFICATION	C	100	N2/0350	Must use
0360	DTM	DATE/TIME/PERIOD	C	5	N2/0360	Must use
<u>0410</u>		<u>Segment Group 10</u>	<u>C</u>	<u>10</u>	<u>N2/0410</u>	<u>Must use</u>
0420	RFF	REFERENCE	M	1	N2/0420	Must use
<u>0470</u>		<u>Segment Group 12</u>	<u>C</u>	<u>200</u>	<u>N2/0470</u>	<u>Must use</u>
0480	QTY	QUANTITY	M	1	N2/0480	Must use
0490	SCC	SCHEDULING CONDITIONS	C	1	N2/0490	Used
0500	DTM	DATE/TIME/PERIOD	C	2	N2/0500	Must use
<u>0510</u>		<u>Segment Group 13</u>	<u>C</u>	<u>10</u>	<u>N2/0510</u>	<u>Used</u>
0520	RFF	REFERENCE	M	1	N2/0520	Must use
0530	DTM	DATE/TIME/PERIOD	C	1	N2/0530	Must use

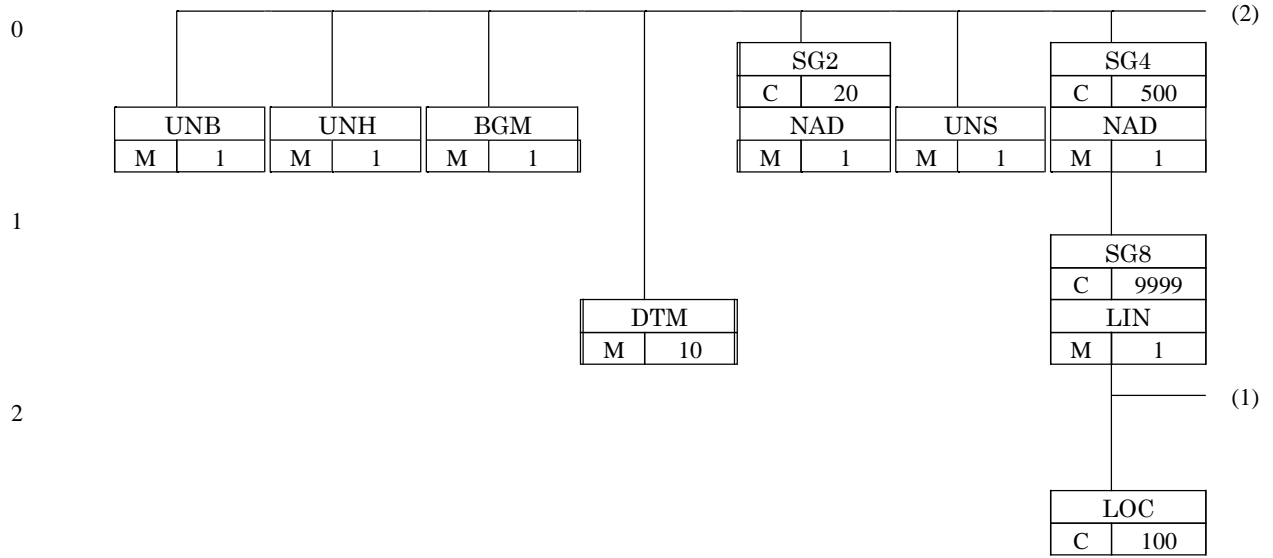
Summary:

<u>Pos</u>	<u>Tag</u>	<u>Segment Name</u>	<u>Status</u>	<u>Rep</u>	<u>Notes</u>	<u>Usage</u>
1220	UNS	SECTION CONTROL	M	1	N3/1220	Must use
1250	UNT	MESSAGE TRAILER	M	1	N3/1250	Must use

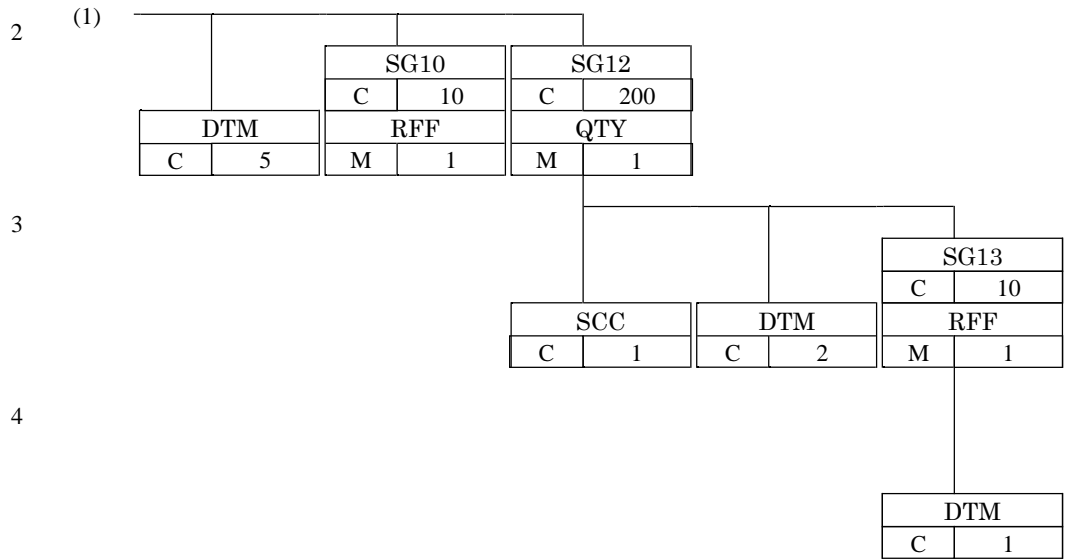
Not Defined:

<u>Pos</u>	<u>Tag</u>	<u>Segment Name</u>	<u>Status</u>	<u>Rep</u>	<u>Notes</u>	<u>Usage</u>
	UNZ	INTERCHANGE TRAILER	M	1		Must use

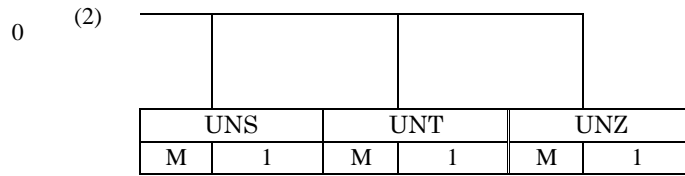
Branching Diagram: DELFOR(Delivery schedule message)



Branching Diagram: DELFOR(Delivery schedule message)



Branching Diagram: DELFOR(Delivery schedule message)



UNB INTERCHANGE HEADER

Pos:	Max: 1
Mandatory	
Group: N/A	Elements: 7

User Option (Usage): Must use

Function: To start, identify and specify an interchange.

Element Summary:

<u>Ref</u>	<u>Tag</u>	<u>Element Name</u>	<u>Status</u>	<u>Type</u>	<u>Min/Max</u>	<u>Usage</u>
UNB010	S001	SYNTAX IDENTIFIER	M	Comp		Must use
		Description: Identification of the agency controlling the syntax and indication of syntax level.				
UNB010-010	0001	Syntax identifier	M	a	4/4	Must use
		Description: Coded identification of the agency controlling a syntax and syntax level used in an interchange.				
		CodeList Summary (Total Codes: 6, Included: 2)				
		<u>Code</u>		<u>Name</u>		
		UNOA		UN/ECE level A		
UNB010-020	0002	Syntax version number	M	n	1/1	Must use
		Description: Version number of the syntax identified in the syntax identifier (0001).				
		CodeList Summary (Total Codes: 3, Included: 1)				
		<u>Code</u>		<u>Name</u>		
		1		Version 1		
UNB020	S002	INTERCHANGE SENDER	M	Comp		Must use
		Description: Identification of the sender of the interchange.				
UNB020-010	0004	Sender identification	M	an	1/35	Must use
		Description: Name or coded representation of the sender of a data interchange.				
UNB020-020	0007	Partner identification code qualifier	C	an	1/4	Not used
		Description: Qualifier referring to the source of codes for the identifiers of interchanging partners.				
UNB020-030	0008	Address for reverse routing	C	an	1/14	Not used
		Description: Address specified by the sender of an interchange to be included by the recipient in the response interchanges to facilitate internal routing.				
UNB030	S003	INTERCHANGE RECIPIENT	M	Comp		Must use
		Description: Identification of the recipient of the interchange.				
UNB030-010	0010	Recipient identification	M	an	1/35	Must use
		Description: Name or coded representation of the recipient of a data interchange.				
UNB030-020	0007	Partner identification code qualifier	C	an	1/4	Used
		Description: Qualifier referring to the source of codes for the identifiers of interchanging partners.				
UNB030-030	0014	Routing address	C	an	1/14	Used
		Description: Address specified by the recipient of an interchange to be included by the sender and used by the recipient for routing of received interchanges inside his organization.				
UNB040	S004	DATE/TIME OF PREPARATION	M	Comp		Must use
		Description: Date/time of preparation of the interchange.				
UNB040-010	0017	Date of preparation	M	n	6/6	Must use
		Description: Local date when an interchange or a functional group was prepared.				

UNB040-020	0019	Time of preparation	M	n	4/4	Must use
		Description: Local time of day when an interchange or a functional group was prepared.				
UNB050	0020	Interchange control reference	M	an	1/14	Must use
		Description: Unique reference assigned by the sender to an interchange.				
UNB070	0026	Application reference	C	an	1/14	Used
		Description: Identification of the application area assigned by the sender, to which the messages in the interchange relate e.g. the message identifier if all the messages in the interchange are of the same type.				
UNB090	0031	Acknowledgement request	C	n	1/1	Used
		Description: Code determined by the sender for acknowledgement of the interchange.				
		CodeList Summary (Total Codes: 2, Included: 1)				
		<u>Code</u>		<u>Name</u>		
		0				

Example:

UNB+UNOA:1+MERITORLIND001+TEST+100715:0545+47++DELFOR++0'

UNH MESSAGE HEADER

Pos: 0010	Max: 1
Mandatory	
Group: N/A	Elements: 2

User Option (Usage): Must use

Function: To head, identify and specify a message.

Element Summary:

<u>Ref</u>	<u>Tag</u>	<u>Element Name</u>	<u>Status</u>	<u>Type</u>	<u>Min/Max</u>	<u>Usage</u>
UNH010	0062	Message reference number	M	an	1/14	Must use
		Description: Unique message reference assigned by the sender.				
UNH020	S009	MESSAGE IDENTIFIER	M	Comp		Must use
		Description: Identification of the type, version etc. of the message being interchanged.				
UNH020-010	0065	Message type identifier	M	an	1/6	Must use
		Description: Code identifying a type of message and assigned by its controlling agency.				
		CodeList Summary (Total Codes: 126, Included: 1)				
		<u>Code</u>		<u>Name</u>		
		DELFOR		Delivery schedule message		
UNH020-020	0052	Message type version number	M	an	1/3	Must use
		Description: Version number of a message type.				
UNH020-030	0054	Message type release number	M	an	1/3	Must use
		Description: Release number within the current message type version number (0052).				
UNH020-040	0051	Controlling agency	M	an	1/2	Must use
		Description: Code identifying the agency controlling the specification, maintenance and publication of the message type.				
		CodeList Summary (Total Codes: 20, Included: 1)				
		<u>Code</u>		<u>Name</u>		
		UN		UN/ECE/TRADE/WP.4, United Nations Standard Messages (UNSM)		
UNH020-050	0057	Association assigned code	C	an	1/6	Must use
		Description: Code, assigned by the association responsible for the design and maintenance of the message type concerned, which further identifies the message.				

Example:

UNH+1+DELFOR:D:96A:UN:A09040'

BGM BEGINNING OF MESSAGE

Pos: 0020	Max: 1
Mandatory	
Group: N/A	Elements: 2

User Option (Usage): Must use

Function: To indicate the type and function of a message and to transmit the identifying number.

Element Summary:

<u>Ref</u>	<u>Tag</u>	<u>Element Name</u>	<u>Status</u>	<u>Type</u>	<u>Min/Max</u>	<u>Usage</u>
BGM010	C002	DOCUMENT/MESSAGE NAME	C	Comp		Must use
Description: Identification of a type of document/message by code or name. Code preferred.						
BGM010-010	1001	Document/message name, coded	C	an	1/3	Must use
Description: Document/message identifier expressed in code.						
CodeList Summary (Total Codes: 335, Included: 1)						
		<u>Code</u>		<u>Name</u>		
		241		Delivery schedule		
BGM020	1004	Document/message number	C	an	1/35	Must use
Description: Reference number assigned to the document/message by the issuer.						

Example:

BGM+241+599837-0'

DTM DATE/TIME/PERIOD

Pos: 0030	Max: 10
Mandatory	
Group: N/A	Elements: 1

User Option (Usage): Must use

Function: To specify date, and/or time, or period.

Element Summary:

<u>Ref</u>	<u>Tag</u>	<u>Element Name</u>	<u>Status</u>	<u>Type</u>	<u>Min/Max</u>	<u>Usage</u>
DTM010	C507	DATE/TIME/PERIOD	M	Comp		Must use

Description: Date and/or time, or period relevant to the specified date/time/period type.

DTM010-010	2005	Date/time/period qualifier	M	an	1/3	Must use
------------	------	----------------------------	---	----	-----	----------

Description: Code giving specific meaning to a date, time or period.

CodeList Summary (Total Codes: 321, Included: 3)

<u>Code</u>	<u>Name</u>
36	Expiry date
137	Document/message date/time
157	Validity start date

DTM010-020	2380	Date/time/period	C	an	1/35	Must use
------------	------	------------------	---	----	------	----------

Description: The value of a date, a date and time, a time or of a period in a specified representation.

DTM010-030	2379	Date/time/period format qualifier	C	an	1/3	Must use
------------	------	-----------------------------------	---	----	-----	----------

Description: Specification of the representation of a date, a date and time or of a period.

CodeList Summary (Total Codes: 70, Included: 1)

<u>Code</u>	<u>Name</u>
102	CCYYMMDD

Example:

DTM+137:20100715:102' DTM+157:20100715:102' DTM+36:20110731:102'

Segment Group 2

Pos: 0070	Repeat: 20
Conditional	
Group: 2	Elements: N/A

User Option (Usage): Used
 Function:

Segment Group Summary:

<u>Pos</u>	<u>Tag</u>	<u>Segment Name</u>	<u>Status</u>	<u>Rep</u>	<u>Usage</u>
0080	NAD	NAME AND ADDRESS	M	1	Must use

NAD NAME AND ADDRESS

Pos: 0080	Max: 1
Mandatory	
Group: 2	Elements: 3

User Option (Usage): Must use

Function: To specify the name/address and their related function, either by CO82 only and/or unstructured by CO58 or structured by CO80 thru 3207.

Element Summary:

<u>Ref</u>	<u>Tag</u>	<u>Element Name</u>	<u>Status</u>	<u>Type</u>	<u>Min/Max</u>	<u>Usage</u>
NAD010	3035	Party qualifier	M	an	1/3	Must use
		Description: Code giving specific meaning to a party.				
		CodeList Summary (Total Codes: 299, Included: 3)				
		<u>Code</u>		<u>Name</u>		
		BY		Buyer		
		SE		Seller		
		ST		Ship to		
NAD020	C082	PARTYIDENTIFICATIONDETAILS	C	Comp		Must use
		Description: Identification of a transaction party by code.				
NAD020-010	3039	Party id. identification	M	an	1/35	Must use
		Description: Code identifying a party involved in a transaction.				
NAD020-030	3055	Code list responsibleagency, coded	C	an	1/3	Must use
		Description: Code identifying the agency responsible for a code list.				
		CodeList Summary (Total Codes: 168, Included: 2)				
		<u>Code</u>		<u>Name</u>		
		91		Assigned by seller or seller's agent		
		92		Assigned by buyer or buyer's agent		
NAD030	C058	NAMEANDADDRESS	C	Comp		Used
		Description: Unstructured name and address: one to five lines.				
NAD030-010	3124	Name and address line	M	an	1/35	Must use
		Description: Free form name and address description.				

UNS SECTION CONTROL

Pos: 0130	Max: 1
Mandatory	
Group: N/A	Elements: 1

User Option (Usage): Must use

Function: To separate header, detail, and summary sections of a message.

Element Summary:

<u>Ref</u>	<u>Tag</u>	<u>Element Name</u>	<u>Status</u>	<u>Type</u>	<u>Min/Max</u>	<u>Usage</u>
UNS010	0081	Section identification	M	a	1/1	Must use

Description: A character identifying the next section in a message.

CodeList Summary (Total Codes: 2, Included: 1)

<u>Code</u>	<u>Name</u>
D	Header/detail section separation

Example:

UNS+D'

Segment Group 4

Pos: 0140	Repeat: 500
Conditional	
Group: 4	Elements: N/A

User Option (Usage): Must use
 Function:

Segment Group Summary:

<u>Pos</u>	<u>Tag</u>	<u>Segment Name</u>	<u>Status</u>	<u>Rep</u>	<u>Usage</u>
0150	NAD	NAME AND ADDRESS	M	1	Must use
0270		Segment Group 8	C	9999	Must use

NAD NAME AND ADDRESS

Pos: 0150	Max: 1
Mandatory	
Group: 4	Elements: 4

User Option (Usage): Must use

Function: To specify the name/address and their related function, either by CO82 only and/or unstructured by CO58 or structured by CO80 thru 3207.

Element Summary:

<u>Ref</u>	<u>Tag</u>	<u>Element Name</u>	<u>Status</u>	<u>Type</u>	<u>Min/Max</u>	<u>Usage</u>
NAD010	3035	Party qualifier	M	an	1/3	Must use
		Description: Code giving specific meaning to a party.				
		CodeList Summary (Total Codes: 299, Included: 1)				
		<u>Code</u>		<u>Name</u>		
		CN		Consignee		
NAD020	C082	PARTYIDENTIFICATIONDETAILS	C	Comp		Must use
		Description: Identification of a transaction party by code.				
NAD020-010	3039	Party id. identification	M	an	1/35	Must use
		Description: Code identifying a party involved in a transaction.				
NAD020-030	3055	Code list responsibleagency, coded	C	an	1/3	Must use
		Description: Code identifying the agency responsible for a code list.				
		CodeList Summary (Total Codes: 168, Included: 1)				
		<u>Code</u>		<u>Name</u>		
		92		Assigned by buyer or buyer's agent		
NAD030	C058	NAMEANDADDRESS	C	Comp		Used
		Description: Unstructured name and address: one to five lines.				
NAD040	C080	PARTY NAME	C	Comp		Must use
		Description: Identification of a transaction party by name, one to five lines. Party name may be formatted.				
NAD040-010	3036	Party name	M	an	1/35	Must use
		Description: Name of a party involved in a transaction.				

Example:

NAD+CN+0264.:92++LIN MFG'

Segment Group 8

Pos: 0270	Repeat: 9999
Conditional	
Group: 8	Elements: N/A

User Option (Usage): Must use
Function:

Segment Group Summary:

<u>Pos</u>	<u>Tag</u>	<u>Segment Name</u>	<u>Status</u>	<u>Rep</u>	<u>Usage</u>
0280	LIN	LINE ITEM	M	1	Must use
0350	LOC	PLACE/LOCATION IDENTIFICATION	C	100	Must use
0360	DTM	DATE/TIME/PERIOD	C	5	Must use
0410		Segment Group 10	C	10	Must use
0470		Segment Group 12	C	200	Must use

LIN LINE ITEM

Pos: 0280	Max: 1
Mandatory	
Group: 8	Elements: 3

User Option (Usage): Must use
 Function: To identify a line item and configuration.

Element Summary:

<u>Ref</u>	<u>Tag</u>	<u>Element Name</u>	<u>Status</u>	<u>Type</u>	<u>Min/Max</u>	<u>Usage</u>
LIN010	1082	Line item number	C	an	1/6	Must use
Description: Serial number designating each separate item within a series of articles.						
LIN020	1229	Action request/notification, coded	C	an	1/3	Must use
Description: Code specifying the action to be taken or already taken.						
CodeList Summary (Total Codes: 24, Included: 1)						
		<u>Code</u>		<u>Name</u>		
		3		Changed		
LIN030	C212	ITEM NUMBER IDENTIFICATION	C	Comp		Must use
Description: Goods identification for a specified source.						
LIN030-010	7140	Item number	C	an	1/35	Must use
Description: A number allocated to a group or item.						
LIN030-020	7143	Item number type, coded	C	an	1/3	Must use
Description: Identification of the type of item number.						
CodeList Summary (Total Codes: 69, Included: 1)						
		<u>Code</u>		<u>Name</u>		
		IN		Buyer's item number		

Example:

LIN+000001+3+2237M1417:IN'

LOC PLACE/LOCATION IDENTIFICATION

Pos: 0350	Max: 100
Conditional	
Group: 8	Elements: 2

User Option (Usage): Must use

Function: To identify a country/place/location/related location one/related location two.

Element Summary:

<u>Ref</u>	<u>Tag</u>	<u>Element Name</u>	<u>Status</u>	<u>Type</u>	<u>Min/Max</u>	<u>Usage</u>
LOC010	3227	Place/location qualifier	M	an	1/3	Must use
Description: Code identifying the function of a location.						
CodeList Summary (Total Codes: 159, Included: 2)						
		<u>Code</u>	<u>Name</u>			
		11	Place/port of discharge			
		159	Additional internal destination			
LOC020	C517	LOCATIONIDENTIFICATION	C	Comp		Must use
Description: Identification of a location by code or name.						
LOC020-010	3225	Place/location identification	C	an	1/25	Must use
Description: Identification of the name of place/location, other than Tag 3164 City name.						

Example:

LOC+11+85-M1'

DTM DATE/TIME/PERIOD

Pos: 0360	Max: 5
Conditional	
Group: 8	Elements: 1

User Option (Usage): Must use

Function: To specify date, and/or time, or period.

Element Summary:

<u>Ref</u>	<u>Tag</u>	<u>Element Name</u>	<u>Status</u>	<u>Type</u>	<u>Min/Max</u>	<u>Usage</u>
DTM010	C507	DATE/TIME/PERIOD	M	Comp		Must use

Description: Date and/or time, or period relevant to the specified date/time/period type.

DTM010-010	2005	Date/time/period qualifier	M	an	1/3	Must use
------------	------	----------------------------	---	----	-----	----------

Description: Code giving specific meaning to a date, time or period.

CodeList Summary (Total Codes: 321, Included: 2)

<u>Code</u>	<u>Name</u>
51	Cumulative quantity start date
257	Calculation date

DTM010-020	2380	Date/time/period	C	an	1/35	Must use
------------	------	------------------	---	----	------	----------

Description: The value of a date, a date and time, a time or of a period in a specified representation.

DTM010-030	2379	Date/time/period format qualifier	C	an	1/3	Must use
------------	------	-----------------------------------	---	----	-----	----------

Description: Specification of the representation of a date, a date and time or of a period.

CodeList Summary (Total Codes: 70, Included: 1)

<u>Code</u>	<u>Name</u>
102	CCYYMMDD

Example:

DTM+257:20100723:102' DTM+51:20100101:102'

Segment Group 10

Pos: 0410	Repeat: 10
Conditional	
Group: 10	Elements: N/A

User Option (Usage): Must use
 Function:

Segment Group Summary:

<u>Pos</u>	<u>Tag</u>	<u>Segment Name</u>	<u>Status</u>	<u>Rep</u>	<u>Usage</u>
0420	RFF	REFERENCE	M	1	Must use

RFF REFERENCE

Pos: 0420	Max: 1
Mandatory	
Group: 10	Elements: 1

User Option (Usage): Must use
 Function: To specify a reference.

Element Summary:

<u>Ref</u>	<u>Tag</u>	<u>Element Name</u>	<u>Status</u>	<u>Type</u>	<u>Min/Max</u>	<u>Usage</u>
RFF010	C506	REFERENCE	M	Comp		Must use
Description: Identification of a reference.						
RFF010-010	1153	Reference qualifier	M	an	1/3	Must use
Description: Code giving specific meaning to a reference segment or a reference number.						
CodeList Summary (Total Codes: 436, Included: 1)						
		<u>Code</u>		<u>Name</u>		
		ON		Order number (purchase)		
RFF010-020	1154	Reference number	C	an	1/35	Must use
Description: Identification number the nature and function of which can be qualified by an entry in data element 1153 Reference qualifier.						

Example:

RFF+ON:157'

Segment Group 12

Pos: 0470	Repeat: 200
Conditional	
Group: 12	Elements: N/A

User Option (Usage): Must use
Function:

Segment Group Summary:

<u>Pos</u>	<u>Tag</u>	<u>Segment Name</u>	<u>Status</u>	<u>Rep</u>	<u>Usage</u>
0480	QTY	QUANTITY	M	1	Must use
0490	SCC	SCHEDULING CONDITIONS	C	1	Used
0500	DTM	DATE/TIME/PERIOD	C	2	Must use
0510		Segment Group 13	C	10	Used

QTY QUANTITY

Pos: 0480	Max: 1
Mandatory	
Group: 12	Elements: 1

User Option (Usage): Must use
 Function: To specify a pertinent quantity.

Element Summary:

<u>Ref</u>	<u>Tag</u>	<u>Element Name</u>	<u>Status</u>	<u>Type</u>	<u>Min/Max</u>	<u>Usage</u>
QTY010	C186	QUANTITY DETAILS	M	Comp		Must use

Description: Quantity information in a transaction, qualified when relevant.

QTY010-010	6063	Quantity qualifier	M	an	1/3	Must use
------------	------	--------------------	---	----	-----	----------

Description: Code giving specific meaning to a quantity.

CodeList Summary (Total Codes: 180, Included: 5)

<u>Code</u>	<u>Name</u>
12	Despatch quantity
48	Received quantity
70	Cumulative quantity received
83	Backorder quantity
113	Quantity to be delivered

QTY010-020	6060	Quantity	M	n	1/15	Must use
------------	------	----------	---	---	------	----------

Description: Numeric value of a quantity.

Notes:

- The last 3 quantities received for each item will be provided in the last received despatch details. When no despatch has yet been made for an item, no received quantity will be provided. Quantities qualified by 48,83,70 and 113 will be provided by ArvinMeritor

Example:

QTY+70:0' QTY+48:3230'

SCC SCHEDULING CONDITIONS

Pos: 0490	Max: 1
Conditional	
Group: 12	Elements: 1

User Option (Usage): Used
 Function: To specify scheduling conditions.

Element Summary:

<u>Ref</u>	<u>Tag</u>	<u>Element Name</u>	<u>Status</u>	<u>Type</u>	<u>Min/Max</u>	<u>Usage</u>
SCC010	4017	Delivery plan status indicator, coded	M	an	1/3	Must use

Description: Code indicating the level of commitment of schedule information.

CodeList Summary (Total Codes: 23, Included: 2)

<u>Code</u>	<u>Name</u>
1	Firm
4	Planning/forecast

Example:

SCC+1' SCC+4'

DTM DATE/TIME/PERIOD

Pos: 0500	Max: 2
Conditional	
Group: 12	Elements: 1

User Option (Usage): Must use

Function: To specify date, and/or time, or period.

Element Summary:

<u>Ref</u>	<u>Tag</u>	<u>Element Name</u>	<u>Status</u>	<u>Type</u>	<u>Min/Max</u>	<u>Usage</u>
DTM010	C507	DATE/TIME/PERIOD	M	Comp		Used

Description: Date and/or time, or period relevant to the specified date/time/period type.

DTM010-010	2005	Date/time/period qualifier	M	an	1/3	Must use
------------	------	----------------------------	---	----	-----	----------

Description: Code giving specific meaning to a date, time or period.

CodeList Summary (Total Codes: 321, Included: 1)

<u>Code</u>	<u>Name</u>
2	Delivery date/time, requested

DTM010-020	2380	Date/time/period	C	an	1/35	Must use
------------	------	------------------	---	----	------	----------

Description: The value of a date, a date and time, a time or of a period in a specified representation.

DTM010-030	2379	Date/time/period format qualifier	C	an	1/3	Must use
------------	------	-----------------------------------	---	----	-----	----------

Description: Specification of the representation of a date, a date and time or of a period.

CodeList Summary (Total Codes: 70, Included: 1)

<u>Code</u>	<u>Name</u>
102	CCYYMMDD

Example:

DTM+2:20100816:102'

Segment Group 13

Pos: 0510	Repeat: 10
Conditional	
Group: 13	Elements: N/A

User Option (Usage): Used
 Function:

Segment Group Summary:

<u>Pos</u>	<u>Tag</u>	<u>Segment Name</u>	<u>Status</u>	<u>Rep</u>	<u>Usage</u>
0520	RFF	REFERENCE	M	1	Must use
0530	DTM	DATE/TIME/PERIOD	C	1	Must use

RFF REFERENCE

Pos: 0520	Max: 1
Mandatory	
Group: 13	Elements: 1

User Option (Usage): Must use
 Function: To specify a reference.

Element Summary:

<u>Ref</u>	<u>Tag</u>	<u>Element Name</u>	<u>Status</u>	<u>Type</u>	<u>Min/Max</u>	<u>Usage</u>
RFF010	C506	REFERENCE	M	Comp		Must use
Description: Identification of a reference.						
RFF010-010	1153	Reference qualifier	M	an	1/3	Must use
Description: Code giving specific meaning to a reference segment or a reference number.						
CodeList Summary (Total Codes: 436, Included: 1)						
		<u>Code</u>		<u>Name</u>		
		AAK		Despatch advice number		
RFF010-020	1154	Reference number	C	an	1/35	Must use
Description: Identification number the nature and function of which can be qualified by an entry in data element 1153 Reference qualifier.						

DTM DATE/TIME/PERIOD

Pos: 0530	Max: 1
Conditional	
Group: 13	Elements: 1

User Option (Usage): Must use

Function: To specify date, and/or time, or period.

Element Summary:

<u>Ref</u>	<u>Tag</u>	<u>Element Name</u>	<u>Status</u>	<u>Type</u>	<u>Min/Max</u>	<u>Usage</u>
DTM010	C507	DATE/TIME/PERIOD	M	Comp		Must use
Description: Date and/or time, or period relevant to the specified date/time/period type.						
DTM010-010	2005	Date/time/period qualifier	M	an	1/3	Must use
Description: Code giving specific meaning to a date, time or period.						
CodeList Summary (Total Codes: 321, Included: 1)						
		<u>Code</u>		<u>Name</u>		
		171		Reference date/time		
DTM010-020	2380	Date/time/period	C	an	1/35	Must use
Description: The value of a date, a date and time, a time or of a period in a specified representation.						
DTM010-030	2379	Date/time/period format qualifier	C	an	1/3	Must use
Description: Specification of the representation of a date, a date and time or of a period.						
CodeList Summary (Total Codes: 70, Included: 1)						
		<u>Code</u>		<u>Name</u>		
		102		CCYYMMDD		

Example:

DTM+171:20090331:102'

UNS SECTION CONTROL

Pos: 1220	Max: 1
Mandatory	
Group: N/A	Elements: 1

User Option (Usage): Must use

Function: To separate header, detail, and summary sections of a message.

Element Summary:

<u>Ref</u>	<u>Tag</u>	<u>Element Name</u>	<u>Status</u>	<u>Type</u>	<u>Min/Max</u>	<u>Usage</u>
UNS010	0081	Section identification	M	a	1/1	Must use

Description: A character identifying the next section in a message.

CodeList Summary (Total Codes: 2, Included: 1)

<u>Code</u>	<u>Name</u>
S	Detail/summary section separation

Example:

UNS+S'

UNT MESSAGE TRAILER

Pos: 1250	Max: 1
Mandatory	
Group: N/A	Elements: 2

User Option (Usage): Must use

Function: To end and check the completeness of a message.

Element Summary:

<u>Ref</u>	<u>Tag</u>	<u>Element Name</u>	<u>Status</u>	<u>Type</u>	<u>Min/Max</u>	<u>Usage</u>
UNT010	0074	Number of segments in a message	M	n	1/6	Must use
		Description: Control count of number of segments in a message.				
UNT020	0062	Message reference number	M	an	1/14	Must use
		Description: Unique message reference assigned by the sender.				

Example:

UNT+244+1'

UNZ INTERCHANGE TRAILER

Pos:	Max: 1
Mandatory	
Group: N/A	Elements: 2

User Option (Usage): Must use

Function: To end and check the completeness of an interchange.

Element Summary:

<u>Ref</u>	<u>Tag</u>	<u>Element Name</u>	<u>Status</u>	<u>Type</u>	<u>Min/Max</u>	<u>Usage</u>
UNZ010	0036	Interchange control count	M	n	1/6	Must use
Description: Count either of the number of messages or, if used, of the number of functional groups in an interchange.						
UNZ020	0020	Interchange control reference	M	an	1/14	Must use
Description: Unique reference assigned by the sender to an interchange.						

Example:

UNZ+1+13'