



DESADV

Despatch Advice Message

EDIFACT/D96A/DESADV: Despatch advice message

Publication:	17-FEB-2016
Created:	11-OCT-2013
Last updated:	08-APR-2024
Version:	3.2

Introduction

This document serves as a guideline to the manner in which Meritor receives DESADV via Electronic Data Interchange (EDI).

The DESADV is used by Meritor to replace the paper based shipment notice message which is traditionally received from the supplier (whether by email, fax or post).

The DESADV message is based on (and fully compliant with) the following EDIFACT message:

Message: DESADV

Version : D.96A

The DESADV message is a message specifying details for goods despatched or ready for despatch under agreed conditions.

Conventions

Where possible unused elements have been omitted. Only unused elements nested between used elements are included.

Communication Details

In order for Meritor to transmit documents to hundreds of Suppliers, we have chosen the VAN services of IBM third party network. Please contact meritor_support@us.ibm.com for communication testing.

This does not mean that you must sign up with these networks in order to communicate with us. Ask your network provider how to pass data through (Interconnect vs. direct connect) to GXS network – our preferred VAN.

Testing and Certification

Each new transaction set will require testing and certification by our EDI support staff. Once the transaction set has been certified, we will make arrangements with your EDI staff to begin transmission of data using the newly tested transaction set. For further details on how to obtain testing information, please e-mail all your inquiries to: edisupport@cummins.com

EDI Contact Information

The following indicates the appropriate contact email to be used by suppliers when having an issue with an EDI transaction.

Contact : EDI Support - edisupport@cummins.com

Suppliers must remember that these contacts will only be able to assist with EDI issues. Issues related to Purchasing/Procurement, i.e. purchase order and data related information, must be directed to your Meritor Purchasing team.

Table of Contents

DESADV	Despatch advice message	1
	Branching Diagram - 1	2
	Branching Diagram - 2	3
	Branching Diagram - 3	4
	Branching Diagram - 4	5
UNB	INTERCHANGE HEADER	6
UNH	MESSAGE HEADER	7
BGM	BEGINNING OF MESSAGE	8
DTM	DATE/TIME/PERIOD	9
MEA	MEASUREMENTS	10
RFF	REFERENCE	11
NAD	NAME AND ADDRESS	12
LOC	PLACE/LOCATION IDENTIFICATION	14
TDT	DETAILS OF TRANSPORT	15
EQD	EQUIPMENT DETAILS	16
CPS	CONSIGNMENT PACKING SEQUENCE	17
PAC	PACKAGE	18
QTY	QUANTITY	19
PCI	PACKAGE IDENTIFICATION	20
RFF	REFERENCE	21
GIR	RELATED IDENTIFICATION NUMBERS	22
LIN	LINE ITEM	23
PIA	ADDITIONAL PRODUCT ID	24
MEA	MEASUREMENTS	25
QTY	QUANTITY	26
ALI	ADDITIONAL INFORMATION	27
RFF	REFERENCE	28
UNT	MESSAGE TRAILER	29
UNZ	INTERCHANGE TRAILER	30

DESADV

Despatch advice message

Message Status=2

Definition: A message specifying details for goods despatched or ready for despatch under agreed conditions. The United Nations Despatch Advice Message serves both as a specification for Delivery Despatch Advice and also as a Returns Despatch Advice message. Throughout this document, the reference to 'Despatch Advice' may be interpreted as conveying the wider meaning of 'Delivery Despatch Advice/Returns Despatch Advice'.

Not Defined:

<u>Pos</u>	<u>Tag</u>	<u>Segment Name</u>	<u>Status</u>	<u>Rep</u>	<u>Notes</u>	<u>Usage</u>
	UNB	INTERCHANGE HEADER	M	1		Must use

Heading:

<u>Pos</u>	<u>Tag</u>	<u>Segment Name</u>	<u>Status</u>	<u>Rep</u>	<u>Notes</u>	<u>Usage</u>
0010	UNH	MESSAGE HEADER	M	1	N1/0010	Must use
0020	BGM	BEGINNING OF MESSAGE	M	1	N1/0020	Must use
0030	DTM	DATE/TIME/PERIOD	C	10	N1/0030	Must use
0050	MEA	MEASUREMENTS	C	5	N1/0050	Used
0070		Segment Group 1	C	10	N1/0070	Must use
0080	RFF	REFERENCE	M	1	N1/0080	Must use
0100		Segment Group 2	C	10	N1/0100	Must use
0110	NAD	NAME AND ADDRESS	M	1	N1/0110	Must use
0120	LOC	PLACE/LOCATION IDENTIFICATION	C	10	N1/0120	Must use
0230		Segment Group 6	C	10	N1/0230	Used
0240	TDT	DETAILS OF TRANSPORT	M	1	N1/0240	Used
0290		Segment Group 8	C	10	N1/0290	Used
0300	EQD	EQUIPMENT DETAILS	M	1	N1/0300	Used

Detail:

<u>Pos</u>	<u>Tag</u>	<u>Segment Name</u>	<u>Status</u>	<u>Rep</u>	<u>Notes</u>	<u>Usage</u>
0370		Segment Group 10	C	9999	N2/0370	Must use
0380	CPS	CONSIGNMENT PACKING SEQUENCE	M	1	N2/0380	Must use
0400		Segment Group 11	M	9999	N2/0400	Must use
0410	PAC	PACKAGE	M	1	N2/0410	Must use
0430	QTY	QUANTITY	C	10	N2/0430	Must use
0470		Segment Group 13	C	1000	N2/0470	Must use
0480	PCI	PACKAGE IDENTIFICATION	M	1	N2/0480	Must use
0490	RFF	REFERENCE	C	1	N2/0490	Used
0510	GIR	RELATED IDENTIFICATION NUMBERS	C	99	N2/0510	Must use
0550		Segment Group 15	C	9999	N2/0550	Must use
0560	LIN	LINE ITEM	M	1	N2/0560	Must use
0570	PIA	ADDITIONAL PRODUCT ID	C	10	N2/0570	Used
0590	MEA	MEASUREMENTS	C	10	N2/0590	Used
0600	QTY	QUANTITY	C	10	N2/0600	Must use
0610	ALI	ADDITIONAL INFORMATION	C	10	N2/0610	Must use
0680		Segment Group 16	C	10	N2/0680	Must use
0690	RFF	REFERENCE	M	1	N2/0690	Must use

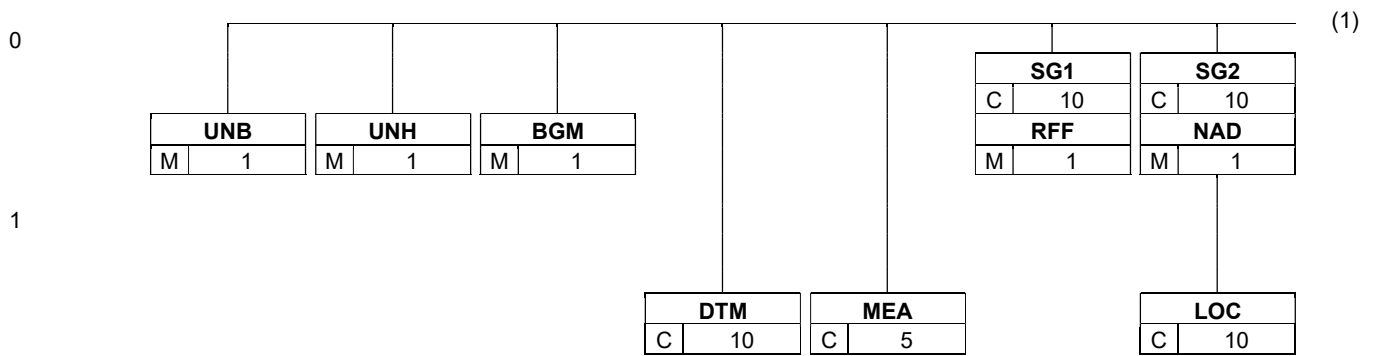
Summary:

<u>Pos</u>	<u>Tag</u>	<u>Segment Name</u>	<u>Status</u>	<u>Rep</u>	<u>Notes</u>	<u>Usage</u>
0990	UNT	MESSAGE TRAILER	M	1	N3/0990	Must use

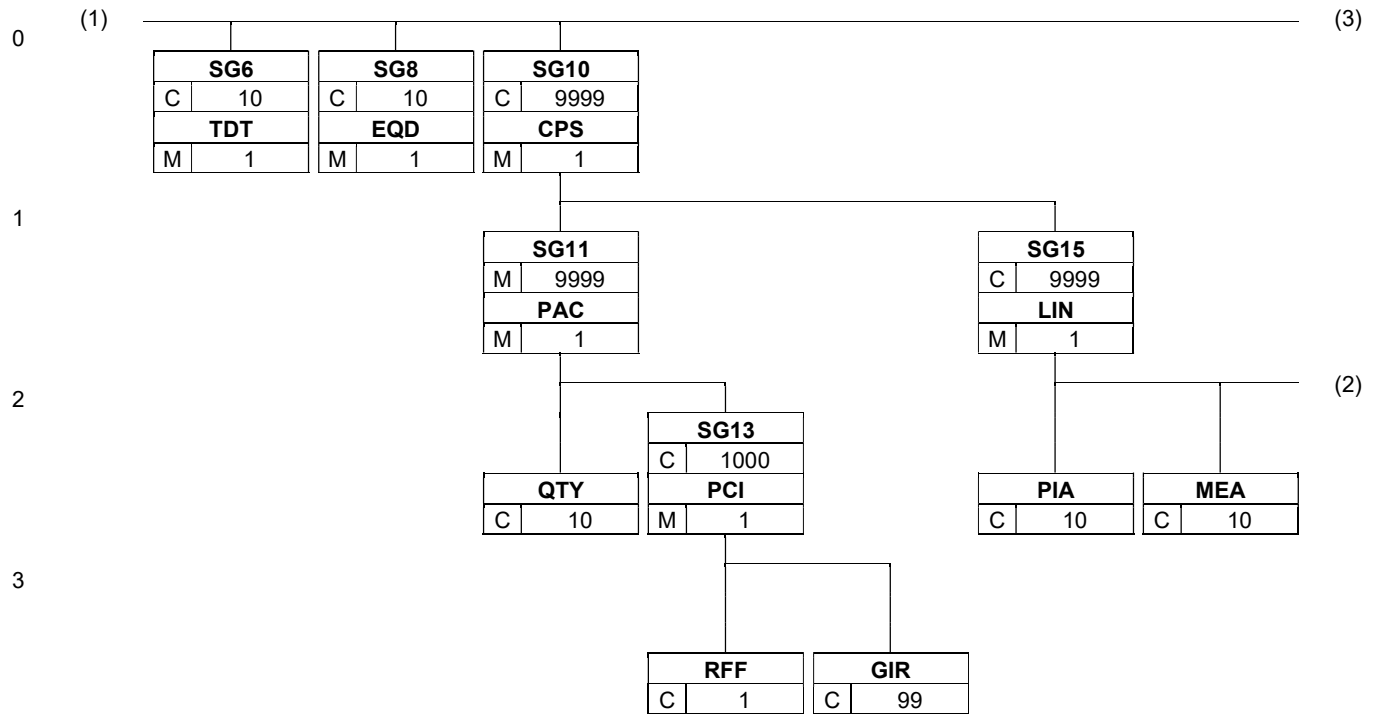
Not Defined:

<u>Pos</u>	<u>Tag</u>	<u>Segment Name</u>	<u>Status</u>	<u>Rep</u>	<u>Notes</u>	<u>Usage</u>
	UNZ	INTERCHANGE TRAILER	M	1		Must use

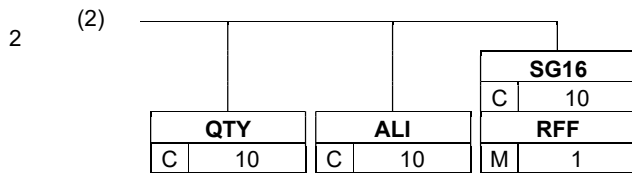
Branching Diagram: DESADV(Despatch advice message)



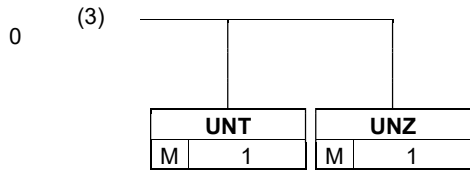
Branching Diagram: DESADV(Despatch advice message)



Branching Diagram: DESADV(Despatch advice message)



Branching Diagram: DESADV(Despatch advice message)



UNB INTERCHANGE HEADER

Pos:	Max: 1
	Mandatory
Group: N/A	Elements: 6

User Option (Usage): Must use

Function: To start, identify and specify an interchange.

Element Summary:

Ref	Tag	Element Name	Status	Type	Min/Max	Usage/Remark
UNB010	S001	SYNTAX IDENTIFIER	M	Comp		Must use
	0001	Syntax identifier	M	a	4/4	UNOA
	0002	Syntax version number	M	n	1/1	1
UNB020	S002	INTERCHANGE SENDER	M	Comp		Must use
	0004	Sender identification	M	an	1/35	Must use
	0007	Partner identification code qualifier	C	an	1/4	Used
	0008	Address for reverse routing	C	an	1/14	Used
UNB030	S003	INTERCHANGE RECIPIENT	M	Comp		Must use
	0010	Recipient identification	M	an	1/35	Must use
	0007	Partner identification code qualifier	C	an	1/4	Used
	0014	Routing address	C	an	1/14	Used
UNB040	S004	DATE/TIME OF PREPARATION	M	Comp		Must use
	0017	Date of preparation	M	n	6/6	Must use
	0019	Time of preparation	M	n	4/4	Must use
UNB050	0020	Interchange control reference	M	an	1/14	Must use
UNB070	0026	Application reference	C	an	1/14	Used

Example:

UNB+UNOA:1+Sender identification+Recipient identification+150611:0927+00001'

UNH MESSAGE HEADER

Pos: 0010	Max: 1
Group: N/A	Elements: 2

User Option (Usage): Must use

Function: To head, identify and specify a message.

Element Summary:

<u>Ref</u>	<u>Tag</u>	<u>Element Name</u>	<u>Status</u>	<u>Type</u>	<u>Min/Max</u>	<u>Usage</u>
UNH010	0062	Message reference number	M	an	1/14	Must use
UNH020	S009	MESSAGE IDENTIFIER	M	Comp		Must use
	0065	Message type identifier	M	an	1/6	DESADV Despatch advice message
	0052	Message type version number	M	an	1/3	D Draft Directory
	0054	Message type release number	M	an	1/3	96A Version 96A
	0051	Controlling agency	M	an	1/2	UN UN/ECE/TRADE/ WP.4, United Nations Standard Messages (UNSM)
	0057	Association assigned code	C	an	1/6	Used

Example:

<i>UNH+1+DESADV:D:96A:UN'</i>

BGM BEGINNING OF MESSAGE

Pos: 0020	Max: 1
Mandatory	
Group: N/A	Elements: 2

User Option (Usage): Must use

Function: To indicate the type and function of a message and to transmit the identifying number.

Element Summary:

<u>Ref</u>	<u>Tag</u>	<u>Element Name</u>	<u>Status</u>	<u>Type</u>	<u>Min/Max</u>	<u>Usage</u>
BGM010	C002	DOCUMENT/MESSAGE NAME	M	Comp		Must use
	1001	Document/message name, coded	M	an	1/3	351 Despatch advice
BGM020	1004	Document/message number	M	an	1/35	Must use

Example:

<i>BGM+351+123456'</i>

DTM DATE/TIME/PERIOD

Pos: 0030	Max: 10
Conditional	
Group: N/A	Elements: 1

User Option (Usage): Must use**Function:** To specify date, and/or time, or period.**Element Summary:**

<u>Ref</u>	<u>Tag</u>	<u>Element Name</u>	<u>Status</u>	<u>Type</u>	<u>Min/Max</u>	<u>Usage</u>
DTM010	C507	DATE/TIME/PERIOD	M	Comp		Must use
DTM010-010	2005	Date/time/period qualifier	M	an	1/3	137 Document/message date/time
DTM010-020	2380	Date/time/period	C	an	1/35	Must use
		Description: The value of a date, a date and time, a time or of a period in a specified representation. Internal Note: Oracle 1000 Position 132 Length 15				
DTM010-030	2379	Date/time/period format qualifier	C	an	1/3	Must use
		Description: Specification of the representation of a date, a date and time or of a period.				
		Code	Name			
		203	CCYYMMDDHHMM			

Example:

DTM+137:200301301402:203'

MEA MEASUREMENTS

Pos: 0050	Max: 5
Conditional	
Group: N/A	Elements: 3

User Option (Usage): Used

Function: To specify physical measurements, including dimension tolerances, weights and counts.

Element Summary:

<u>Ref</u>	<u>Tag</u>	<u>Element Name</u>	<u>Status</u>	<u>Type</u>	<u>Min/Max</u>	<u>Usage</u>
MEA010	6311	Measurement application qualifier	M	an	1/3	Used
Description: Specification of the application of the physical measurement used.						
		<u>Code</u> <u>Name</u>				
		AAX Consignment measurement				
MEA020	C502	MEASUREMENT DETAILS	C	Comp		Used
Description: Identification of measurement type.						
MEA020-010	6313	Measurement dimension, coded	C	an	1/3	Used
Description: Specification of the type of dimension to be measured.						
		<u>Code</u> <u>Name</u>				
		AAD Total gross weight				
MEA030	C174	VALUE/RANGE	C	Comp		Used
Description: Measurement value and relevant minimum and maximum tolerances in that order.						
MEA030-010	6411	Measure unit qualifier	M	an	1/3	Used
Description: Indication of the unit of measurement in which weight (mass), capacity, length, area, volume or other quantity is expressed.						
Internal Note: Oracle 1010 Position 209 Length 3						
MEA030-020	6314	Measurement value	C	n	1/18	Used
Description: Value of the measured unit.						
Internal Note: Oracle 1010 Position 188 Length 22						

Example:

MEA+AAX+AAD+KGM:100

RFF REFERENCE

Pos: 0080	Max: 1
Mandatory	
Group: 1	Elements: 1

User Option (Usage): Must use
Function: To specify a reference.

Element Summary:

<u>Ref</u>	<u>Tag</u>	<u>Element Name</u>	<u>Status</u>	<u>Type</u>	<u>Min/Max</u>	<u>Usage</u>
RFF010	C506	REFERENCE	M	Comp		Must use
Description: Identification of a reference.						
RFF010-010	1153	Reference qualifier	M	an	1/3	Must use
Description: Code giving specific meaning to a reference segment or a reference number.						
		Code		Name		
		AAS		Transport document number		
		CRN		Conveyance reference number		
RFF010-020	1154	Reference number	M	an	1/35	Must use
Description: Identification number the nature and function of which can be qualified by an entry in data element 1153 Reference qualifier.						
Internal Note: See <i>Internal note for tag 1153</i>						

Example:

RFF+AAS:098765'
RFF+CRN:123456'

NAD NAME AND ADDRESS

Pos: 0110	Max: 1
Mandatory	
Group: 2	Elements: 9

User Option (Usage): Must use

Function: To specify the name/address and their related function, either by CO82 only and/or unstructured by CO58 or structured by CO80 thru 3207.

Element Summary:

<u>Ref</u>	<u>Tag</u>	<u>Element Name</u>	<u>Status</u>	<u>Type</u>	<u>Min/Max</u>	<u>Usage</u>
NAD010	3035	Party qualifier	M	an	1/3	Must use
		Description: Code giving specific meaning to a party.				
		<u>Code</u>		<u>Name</u>		
		CA		Carrier		
				Note:		
				<i>Assigned by the buyer</i>		
		CN		Consignee		
				Note:		
				<i>Assigned by the buyer</i>		
		CZ		Consignor		
				Note:		
				<i>Assigned by the buyer</i>		
		SE		Seller		
				Note:		
				<i>Assigned by the buyer</i>		
NAD020	C082	PARTY IDENTIFICATION DETAILS	M	Comp		Must use
		Description: Identification of a transaction party by code.				
NAD020-010	3039	Party id. identification	M	an	1/35	Must use
		Description: Code identifying a party involved in a transaction.				
		Internal Note: See internal note for tag 3035				
NAD020-020	1131	Code list qualifier	C	an	1/3	Not used
		Description: Identification of a code list.				
NAD020-030	3055	Code list responsible agency, coded	M	an	1/3	Must use
		Description: Code identifying the agency responsible for a code list.				
		<u>Code</u>		<u>Name</u>		
		91		Assigned by seller or seller's agent		
		92		Assigned by buyer or buyer's agent		
NAD030	C058	NAME AND ADDRESS	C	Comp		Not used
		Description: Unstructured name and address: one to five lines.				
NAD040	C080	PARTY NAME	C	Comp		Not used
		Description: Identification of a transaction party by name, one to five lines. Party name may be formatted.				
NAD050	C059	STREET	C	Comp		Not used
		Description: Street address and/or PO Box number in a structured address: one to three lines.				
NAD060	3164	City name	C	an	1/35	Not used
		Description: Name of a city (a town, a village) for addressing purposes.				
NAD070	3229	Country sub-entity identification	C	an	1/9	Not used
		Description: Identification of the name of sub-entities (state, province) defined by appropriate governmental agencies.				
NAD080	3251	Postcode identification	C	an	1/9	Not used
		Description: Code defining postal zones or addresses.				
NAD090	3207	Country, coded	C	an	1/3	Not used
		Description: Identification of the name of a country or other geographical entity as specified in ISO 3166.				

Example:

NAD+SE+0001000::92'

NAD+CN+0001000::92'

NAD+CA+0001000::92'

NAD+CZ+0001000::92'

LOC PLACE/LOCATION IDENTIFICATION

Pos: 0120	Max: 10
Conditional	
Group: 2	Elements: 2

User Option (Usage): Must use

Function: To identify a country/place/location/related location one/related location two.

Element Summary:

<u>Ref</u>	<u>Tag</u>	<u>Element Name</u>	<u>Status</u>	<u>Type</u>	<u>Min/Max</u>	<u>Usage</u>
LOC010	3227	Place/location qualifier	M	an	1/3	Must use
Description: Code identifying the function of a location.						
		<u>Code</u>	<u>Name</u>			
		11	Place/port of discharge			
		Note:				
		<i>Assigned by the buyer</i>				
LOC020	C517	LOCATION IDENTIFICATION	M	Comp		Must use
Description: Identification of a location by code or name.						
LOC020-010	3225	Place/location identification	M	an	1/25	Must use
Description: Identification of the name of place/location, other than 3164 City name.						
Internal Note: Oracle 3000 position 122 length 20						
LOC020-020	1131	Code list qualifier	C	an	1/3	Not used
Description: Identification of a code list.						
All valid standard codes are used.						
LOC020-030	3055	Code list responsible agency, coded	M	an	1/3	Must use
Description: Code identifying the agency responsible for a code list.						
		<u>Code</u>	<u>Name</u>			
		92	Assigned by buyer or buyer's agent			

Example:

LOC+11+060::92'

TDT**DETAILS OF TRANSPORT**

Pos: 0240	Max: 1
Mandatory	
Group: 6	Elements: 4

User Option (Usage): Used**Function:** To specify the transport details such as mode of transport, means of transport, its conveyance reference number and the identification of the means of transport. The segment may be pointed to by the TPL segment.**Element Summary:**

<u>Ref</u>	<u>Tag</u>	<u>Element Name</u>	<u>Status</u>	<u>Type</u>	<u>Min/Max</u>	<u>Usage</u>
TDT010	8051	Transport stage qualifier	M	an	1/3	Must use
Description: Qualifier giving a specific meaning to the transport details.						
		<u>Code</u>	<u>Name</u>			
		12	At departure			
TDT020	8028	Conveyance reference number	C	an	1/17	Used
Description: Unique reference given by the carrier to a certain journey or departure of a means of transport (generic term).						
TDT030	C220	MODE OF TRANSPORT	C	Comp		Used
Description: Method of transport code or name. Code preferred.						
TDT030-010	8067	Mode of transport, coded	C	an	1/3	Not used
Description: Coded method of transport used for the carriage of the goods.						
TDT030-020	8066	Mode of transport	C	an	1/17	Not used
Description: Method of transport used for the carriage of the goods.						
TDT040	C228	TRANSPORT MEANS	C	Comp		Used
Description: Code and/or name identifying the type of means of transport.						
TDT040-010	8179	Type of means of transport identification	C	an	1/8	Used
Description: Code defining the type of the means of transport being utilized.						
		<u>Code</u>	<u>Name</u>			
		6	Aircraft			
		11	Ship			
		21	Rail tanker			
		31	Truck			
TDT040-020	8178	Type of means of transport	C	an	1/17	Used
Description: Description of the type of the means of transport being utilized.						

Example:

TDT+12+4444++6'

EQD EQUIPMENT DETAILS

Pos: 0300	Max: 1
Mandatory	
Group: 8	Elements: 2

User Option (Usage): Used
Function: To identify a unit of equipment.

Element Summary:

<u>Ref</u>	<u>Tag</u>	<u>Element Name</u>	<u>Status</u>	<u>Type</u>	<u>Min/Max</u>	<u>Usage</u>
EQD010	8053	Equipment qualifier	M	an	1/3	Must use
Description: Code identifying type of equipment.						
EQD020	C237	EQUIPMENT IDENTIFICATION	M	Comp		Must use
Description: Marks (letters and/or numbers) identifying equipment used for transport such as a container.						
EQD020-010	8260	Equipment identification number	M	an	1/17	Must use
Description: Marks (letters and/or numbers) which identify equipment e.g. unit load device.						
EQD020-020	1131	Code list qualifier	C	an	1/3	Used
Description: Identification of a code list.						
EQD020-030	3055	Code list responsible agency, coded	C	an	1/3	Used
Description: Code identifying the agency responsible for a code list.						
EQD020-040	3207	Country, coded	C	an	1/3	Used
Description: Identification of the name of a country or other geographical entity as specified in ISO 3166.						

Example:

EQD+XX+12345'

CPS**CONSIGNMENT PACKING
SEQUENCE**

Pos: 0380	Max: 1
Mandatory	
Group: 10	Elements: 3

User Option (Usage): Must use**Function:** To identify the sequence in which physical packing is presented in the consignment, and optionally to identify the hierarchical relationship between packing layers.**Element Summary:**

<u>Ref</u>	<u>Tag</u>	<u>Element Name</u>	<u>Status</u>	<u>Type</u>	<u>Min/Max</u>	<u>Usage</u>
CPS010	7164	Hierarchical id. number	M	an	1/12	Must use

Description: A unique number assigned by the sender to identify a level within a hierarchical structure.

CPS020	7166	Hierarchical parent id.	C	an	1/12	Not used
--------	------	-------------------------	---	----	------	----------

Description: Identification number of the next higher hierarchical data segment in a hierarchical structure.

CPS030	7075	Packaging level, coded	C	an	1/3	Used
--------	------	------------------------	---	----	-----	------

Description: Indication of level of packaging specified.

<u>Code</u>	<u>Name</u>
1	Inner
3	Outer

Example:*CPS+1++1'**CPS+2++3'*

PAC PACKAGE

Pos: 0410	Max: 1
Mandatory	
Group: 11	Elements: 3

User Option (Usage): Must use

Function: To describe the number and type of packages/physical units.

Element Summary:

<u>Ref</u>	<u>Tag</u>	<u>Element Name</u>	<u>Status</u>	<u>Type</u>	<u>Min/Max</u>	<u>Usage</u>
PAC010	7224	Number of packages <i>Description:</i> Number of individual parts of a shipment either unpacked, or packed in such a way that they cannot be divided without first undoing the packing.	M	n	1/8	Must use
PAC020	C531	PACKAGING DETAILS <i>Description:</i> Packaging level and details, terms and conditions.	C	Comp		Not used
PAC030	C202	PACKAGE TYPE <i>Description:</i> Type of package by name or by code from a specified source.	M	Comp		Must use
PAC030-010	7065	Type of packages identification <i>Description:</i> Coded description of the form in which goods are presented. <i>Note:</i> Package Reference Number <i>Internal Note:</i> Oracle 2110 Position 262 Length 80	M	an	1/17	Must use
PAC030-020	1131	Code list qualifier <i>Description:</i> Identification of a code list.	C	an	1/3	Not used
PAC030-030	3055	Code list responsible agency, coded <i>Description:</i> Code identifying the agency responsible for a code list.	M	an	1/3	Must use
		<u>Code</u> <u>Name</u> 92 Assigned by buyer or buyer's agent				
PAC030-040	7064	Type of packages <i>Description:</i> Description of the form in which goods are presented. <i>Note:</i> Oracle 2100 Position 372 Length 80	C	an	1/35	Used

Example:

PAC+3++2222::92'

QTY QUANTITY

Pos: 0430	Max: 10
Conditional	
Group: 11	Elements: 1

User Option (Usage): Must use
Function: To specify a pertinent quantity.

Element Summary:

<u>Ref</u>	<u>Tag</u>	<u>Element Name</u>	<u>Status</u>	<u>Type</u>	<u>Min/Max</u>	<u>Usage</u>
QTY010	C186	QUANTITY DETAILS	M	Comp		Must use
Description: Quantity information in a transaction, qualified when relevant.						
QTY010-010	6063	Quantity qualifier	M	an	1/3	Must use
Description: Code giving specific meaning to a quantity.						
		<u>Code</u>		<u>Name</u>		
		52		Quantity per pack		
QTY010-020	6060	Quantity	M	n	1/15	Must use
Description: Numeric value of a quantity.						
Internal Note: Oracle 2000 Position 285 Length 22						
QTY010-030	6411	Measure unit qualifier	C	an	1/3	Used
Description: Indication of the unit of measurement in which weight (mass), capacity, length, area, volume or other quantity is expressed.						
Internal Note: Oracle 2000 Position 312 Length 3						

Example:

QTY+52:10'

PCI PACKAGE IDENTIFICATION

Pos: 0480	Max: 1
Mandatory	
Group: 13	Elements: 4

User Option (Usage): Must use

Function: To specify markings and labels on individual packages or physical units.

Element Summary:

<u>Ref</u>	<u>Tag</u>	<u>Element Name</u>	<u>Status</u>	<u>Type</u>	<u>Min/Max</u>	<u>Usage</u>
PCI010	4233	Marking instructions, coded	C	an	1/3	Not used
Description: Code indicating instructions on how specified packages or physical units should be marked.						
		<u>Code</u>	<u>Name</u>			
		17	Seller's instructions			
PCI020	C210	MARKS & LABELS	C	Comp		Not used
Description: Shipping marks on packages in free text; one to ten lines.						
PCI030	8275	Container/package status, coded	C	an	1/3	Not used
Description: Code to identify whether goods of separate description or comprising separate consignments are contained in the same external packaging or to indicate that a container or similar unit load device is empty.						
PCI040	C827	TYPE OF MARKING	M	Comp		Must use
Description: Specification of the type of marking that reflects the method that was used and the conventions adhered to for marking (e.g. of packages).						
PCI040-010	7511	Type of marking, coded	M	an	1/3	Must use
Description: To specify the type of marking that reflects the method and the conventions adhered to for marking.						
Note: Used when ODETTE Labels are in use. S= Simplified Handling Unit or Package M = Homogenous Handling Unit G = Mixed Handling Unit						
PCI040-020	1131	Code list qualifier	C	an	1/3	Not used
Description: Identification of a code list.						
PCI040-030	3055	Code list responsible agency, coded	M	an	1/3	Must use
Description: Code identifying the agency responsible for a code list.						
		<u>Code</u>	<u>Name</u>			
		92	Assigned by buyer or buyer's agent			

Example:

PCI++++S::92

RFF REFERENCE

Pos: 0490	Max: 1
Conditional	
Group: 13	Elements: 1

User Option (Usage): Used

Function: To specify a reference.

Element Summary:

<u>Ref</u>	<u>Tag</u>	<u>Element Name</u>	<u>Status</u>	<u>Type</u>	<u>Min/Max</u>	<u>Usage</u>
RFF010	C506	REFERENCE	M	Comp		Must use
Description: Identification of a reference.						
RFF010-010	1153	Reference qualifier	M	an	1/3	Must use
Description: Code giving specific meaning to a reference segment or a reference number.						
		<u>Code</u>		<u>Name</u>		
		AAT		Master label number		
RFF010-020	1154	Reference number	M	an	1/35	Must use
Description: Identification number the nature and function of which can be qualified by an entry in data element 1153 Reference qualifier.						
RFF010-030	1156	Line number	C	an	1/6	Not used
Description: Number of the line in the document/message referenced in 1154 Reference number.						
RFF010-040	4000	Reference version number	C	an	1/35	Not used
Description: To uniquely identify a reference by its revision number.						

Example:

RFF+AAT:00005'

GIR RELATED IDENTIFICATION NUMBERS

Pos: 0510	Max: 99
Conditional	
Group: 13	Elements: 2

User Option (Usage): Must use
Function: To specify a related set of identification numbers.

Element Summary:

<u>Ref</u>	<u>Tag</u>	<u>Element Name</u>	<u>Status</u>	<u>Type</u>	<u>Min/Max</u>	<u>Usage</u>
GIR010	7297	Set identification qualifier	M	an	1/3	Must use
Description: Identification of the type of set.						
		<u>Code</u>	<u>Name</u>			
		3	Package			
GIR020	C206	IDENTIFICATION NUMBER	M	Comp		Must use
Description: The identification of an object.						
GIR020-010	7402	Identity number	M	an	1/35	Must use
Description: A value given to an object for identification purposes.						
Internal Note: Oracle 2010 Position 216 Length 35						
GIR020-020	7405	Identity number qualifier	M	an	1/3	Must use
Description: Code specifying the type/source of identity number.						
		<u>Code</u>	<u>Name</u>			
		BX	Batch number			
		ML	Marking/label number			

Example:

GIR+3+1234567:ML

LIN**LINE ITEM**

Pos: 0560	Max: 1
Mandatory	
Group: 15	Elements: 6

User Option (Usage): Must use**Function:** To identify a line item and configuration.**Element Summary:**

<u>Ref</u>	<u>Tag</u>	<u>Element Name</u>	<u>Status</u>	<u>Type</u>	<u>Min/Max</u>	<u>Usage</u>
LIN010	1082	Line item number	C	n	1/6	Used
		Description: Serial number designating each separate item within a series of articles.				
LIN020	1229	Action request/notification, coded	C	an	1/3	Not used
		Description: Code specifying the action to be taken or already taken.				
LIN030	C212	ITEM NUMBER IDENTIFICATION	M	Comp		Must use
		Description: Goods identification for a specified source.				
LIN030-010	7140	Item number	M	an	1/35	Must use
		Description: A number allocated to a group or item.				
		Internal Note: Oracle 2000 Position 102 Length 30				
LIN030-020	7143	Item number type, coded	M	an	1/3	Must use
		Description: Identification of the type of item number.				
		<u>Code</u>		<u>Name</u>		
		IN		Buyer's item number		
LIN030-030	1131	Code list qualifier	C	an	1/3	Not used
		Description: Identification of a code list.				
LIN030-040	3055	Code list responsible agency, coded	C	an	1/3	Not used
		Description: Code identifying the agency responsible for a code list.				
		<u>Code</u>		<u>Name</u>		
		92		Assigned by buyer or buyer's agent		
LIN040	C829	SUB-LINE INFORMATION	C	Comp		Not used
		Description: To provide an indication that a segment or segment group is used to contain sub-line or sub-line item information and to optionally enable the sub-line to be identified.				
LIN050	1222	Configuration level	C	n	1/2	Used
		Description: Number indicating the level of an object which is in a hierarchy.				
LIN060	7083	Configuration, coded	C	an	1/3	Not used
		Description: Code indicating the status of the sub-line item in the configuration.				

Example:

LIN+1++Item number:IN'

PIA ADDITIONAL PRODUCT ID

Pos: 0570	Max: 10
Conditional	
Group: 15	Elements: 2

User Option (Usage): Used

Function: To specify additional or substitutional item identification codes.

Element Summary:

<u>Ref</u>	<u>Tag</u>	<u>Element Name</u>	<u>Status</u>	<u>Type</u>	<u>Min/Max</u>	<u>Usage</u>
PIA010	4347	Product id. function qualifier	M	an	1/3	Must use
Description: Indication of the function of the product code.						
		<u>Code</u>	<u>Name</u>			
		1	Additional identification			
PIA020	C212	ITEM NUMBER IDENTIFICATION	M	Comp		Must use
Description: Goods identification for a specified source.						
PIA020-010	7140	Item number	M	an	1/35	Must use
Description: A number allocated to a group or item.						
Internal Note: See tag 7143						
PIA020-020	7143	Item number type, coded	M	an	1/3	Must use
Description: Identification of the type of item number.						
		<u>Code</u>	<u>Name</u>			
		DR	Drawing revision number			
		SA	Supplier's article number			
PIA020-030	1131	Code list qualifier	C	an	1/3	Not used
Description: Identification of a code list.						
PIA020-040	3055	Code list responsible agency, coded	C	an	1/3	Not used
Description: Code identifying the agency responsible for a code list.						
		<u>Code</u>	<u>Name</u>			
		91	Assigned by seller or seller's agent			

Example:

PIA+1+P04:DR'

MEA MEASUREMENTS

Pos: 0590	Max: 10
Conditional	
Group: 15	Elements: 4

User Option (Usage): Used

Function: To specify physical measurements, including dimension tolerances, weights and counts.

Element Summary:

<u>Ref</u>	<u>Tag</u>	<u>Element Name</u>	<u>Status</u>	<u>Type</u>	<u>Min/Max</u>	<u>Usage</u>
MEA010	6311	Measurement application qualifier	M	an	1/3	Used
		Description: Specification of the application of the physical measurement used.				
		<u>Code</u>		<u>Name</u>		
		PD		Physical dimensions (product ordered)		
MEA020	C502	MEASUREMENT DETAILS	M	Comp		Must use
		Description: Identification of measurement type.				
MEA020-010	6313	Measurement dimension, coded	M	an	1/3	Must use
		Description: Specification of the type of dimension to be measured.				
		<u>Code</u>		<u>Name</u>		
		AAL		Net weight		
MEA020-020	6321	Measurement significance, coded	C	an	1/3	Not used
		Description: Code specifying the significance of a measurement value.				
MEA020-030	6155	Measurement attribute, coded	C	an	1/3	Not used
		Description: Code used to specify non-discrete measurement values.				
MEA020-040	6154	Measurement attribute	C	an	1/70	Not used
		Description: To specify non-discrete measurement values.				
MEA030	C174	VALUE/RANGE	M	Comp		Must use
		Description: Measurement value and relevant minimum and maximum tolerances in that order.				
MEA030-010	6411	Measure unit qualifier	M	an	1/3	Must use
		Description: Indication of the unit of measurement in which weight (mass), capacity, length, area, volume or other quantity is expressed.				
MEA030-020	6314	Measurement value	M	n	1/18	Must use
		Description: Value of the measured unit.				
MEA030-030	6162	Range minimum	C	n	1/18	Not used
		Description: Minimum of a range.				
MEA030-040	6152	Range maximum	C	n	1/18	Not used
		Description: Maximum of a range.				
MEA030-050	6432	Significant digits	C	n	1/2	Not used
		Description: To specify the number of significant digits.				
MEA040	7383	Surface/layer indicator, coded	C	an	1/3	Not used
		Description: Code indicating the surface or layer of a product that is being described.				

Example:

MEA+PD+AAL+KGM:50'

QTY QUANTITY

Pos: 0600	Max: 10
Conditional	
Group: 15	Elements: 1

User Option (Usage): Must use
Function: To specify a pertinent quantity.

Element Summary:

<u>Ref</u>	<u>Tag</u>	<u>Element Name</u>	<u>Status</u>	<u>Type</u>	<u>Min/Max</u>	<u>Usage</u>
QTY010	C186	QUANTITY DETAILS	M	Comp		Must use
Description: Quantity information in a transaction, qualified when relevant.						
QTY010-010	6063	Quantity qualifier	M	an	1/3	Must use
Description: Code giving specific meaning to a quantity.						
		<u>Code</u>		<u>Name</u>		
		12		Despatch quantity		
QTY010-020	6060	Quantity	M	n	1/15	Must use
Description: Numeric value of a quantity.						
QTY010-030	6411	Measure unit qualifier	C	an	1/3	Used
Description: Indication of the unit of measurement in which weight (mass), capacity, length, area, volume or other quantity is expressed.						

Example:

QTY+12:100'

ALI**ADDITIONAL INFORMATION**

Pos: 0610	Max: 10
Conditional	
Group: 15	Elements: 2

User Option (Usage): Must use**Function:** To indicate that special conditions due to the origin, customs preference, fiscal or commercial factors are applicable.**Element Summary:**

<u>Ref</u>	<u>Tag</u>	<u>Element Name</u>	<u>Status</u>	<u>Type</u>	<u>Min/Max</u>	<u>Usage</u>
ALI010	3239	Country of origin, coded	M	an	1/3	Must use

Description: Country in which the goods have been produced or manufactured, according to criteria laid down for the purposes of application of the Customs tariff, of quantitative restrictions, or of any other measure related to trade.

Internal Note: Oracle 2100 Position 132 Length 80

ALI020	9213	Type of duty regime, coded	C	an	1/3	Used
--------	------	----------------------------	---	----	-----	------

Description: Identification of the statement of the full/preferential regime according to which duty is assessed.

Code**Name**

1	Origin subject to EC/EFTA preference
---	--------------------------------------

Note:

Mandatory for transactions between EC and EFTA countries. mandatory information for trade between EFTA countries (Iceland, Norway, Switzerland) and the EU. In this case, confirmation is to be given if the delivered article complies with the terms for origin goods specified in the current free trade agreement.

3	No preference origin
---	----------------------

Note:

Mandatory for transactions between EC and EFTA countries. mandatory information for trade between EFTA countries (Iceland, Norway, Switzerland) and the EU. In this case, confirmation is to be given if the delivered article complies with the terms for origin goods specified in the current free trade agreement.

Example:

ALI+SE'

RFF REFERENCE

Pos: 0690	Max: 1
Mandatory	
Group: 16	Elements: 1

User Option (Usage): Must use
Function: To specify a reference.

Element Summary:

<u>Ref</u>	<u>Tag</u>	<u>Element Name</u>	<u>Status</u>	<u>Type</u>	<u>Min/Max</u>	<u>Usage</u>
RFF010	C506	REFERENCE	M	Comp		Must use
Description: Identification of a reference.						
RFF010-010	1153	Reference qualifier	M	an	1/3	Must use
Description: Code giving specific meaning to a reference segment or a reference number.						
		Code	Name			
		IV	Invoice number			
		ON	Order number (purchase)			
		AAP	Part consignment number			
RFF010-020	1154	Reference number	O	an	1/35	Must use
Description: Identification number the nature and function of which can be qualified by an entry in data element 1153 Reference qualifier.						
Internal Note: See internal note for tag 1153						
RFF010-030	1156	Line number	C	an	1/6	Not used
Description: Number of the line in the document/message referenced in 1154 Reference number.						
RFF010-040	4000	Reference version number	C	an	1/35	Not used
Description: To uniquely identify a reference by its revision number.						

Example:

RFF+ON:22222'
 RFF+AAP:33333'

UNT MESSAGE TRAILER

Pos: 0990	Max: 1
Mandatory	
Group: N/A	Elements: 2

User Option (Usage): Must use

Function: To end and check the completeness of a message.

Element Summary:

<u>Ref</u>	<u>Tag</u>	<u>Element Name</u>	<u>Status</u>	<u>Type</u>	<u>Min/Max</u>	<u>Usage</u>
UNT010	0074	Number of segments in a message	M	n	1/6	Must use
		Description: Control count of number of segments in a message.				
UNT020	0062	Message reference number	M	an	1/14	Must use
		Description: Unique message reference assigned by the sender.				

Example:

UNT+34+1'

UNZ INTERCHANGE TRAILER

Pos:	Max: 1
Mandatory	
Group: N/A	Elements: 2

User Option (Usage): Must use

Function: To end and check the completeness of an interchange.

Element Summary:

<u>Ref</u>	<u>Tag</u>	<u>Element Name</u>	<u>Status</u>	<u>Type</u>	<u>Min/Max</u>	<u>Usage</u>
UNZ010	0036	Interchange control count	M	n	1/6	Must use
Description: Count either of the number of messages or, if used, of the number of functional groups in an interchange.						
UNZ020	0020	Interchange control reference	M	an	1/14	Must use
Description: Unique reference assigned by the sender to an interchange.						

Example:

UNZ+1+00001'