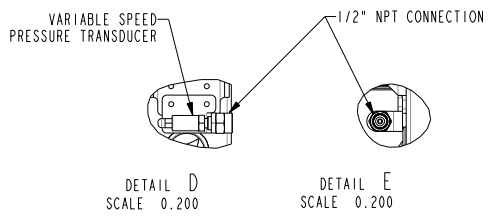
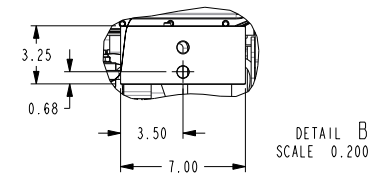
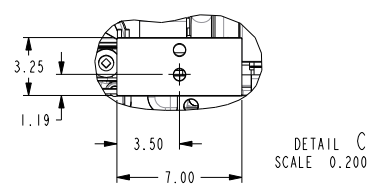
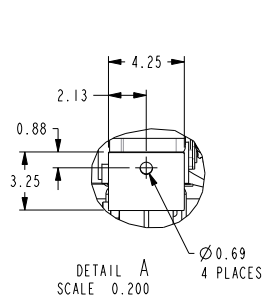
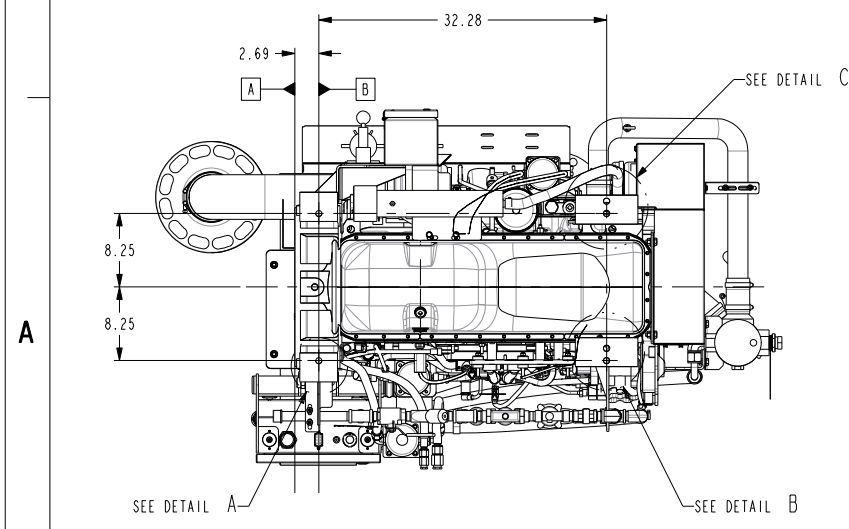
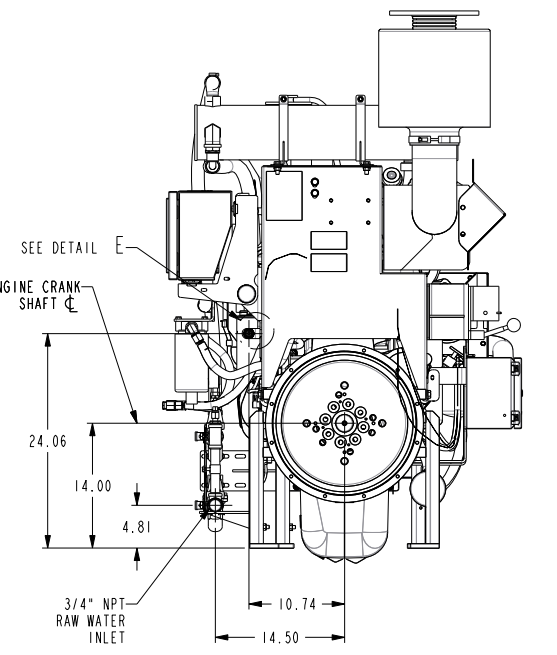
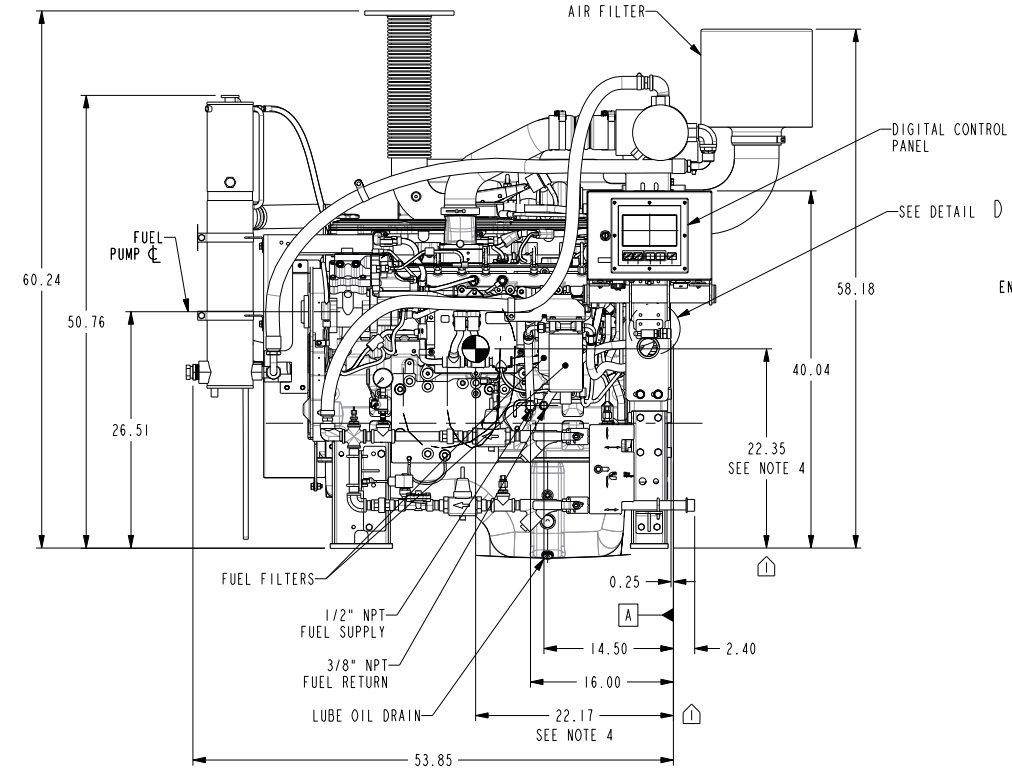
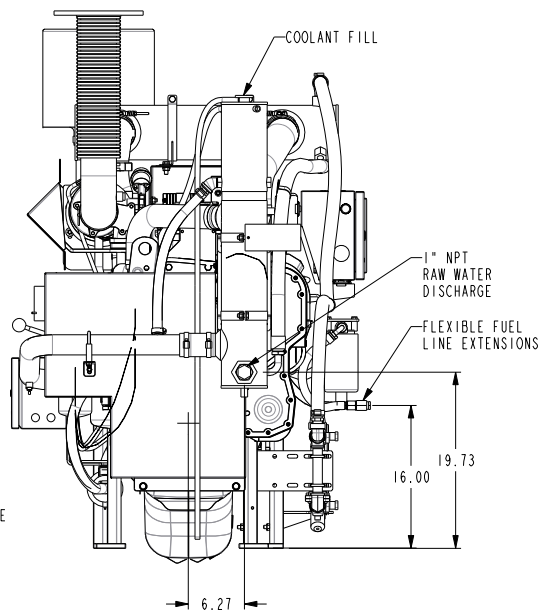
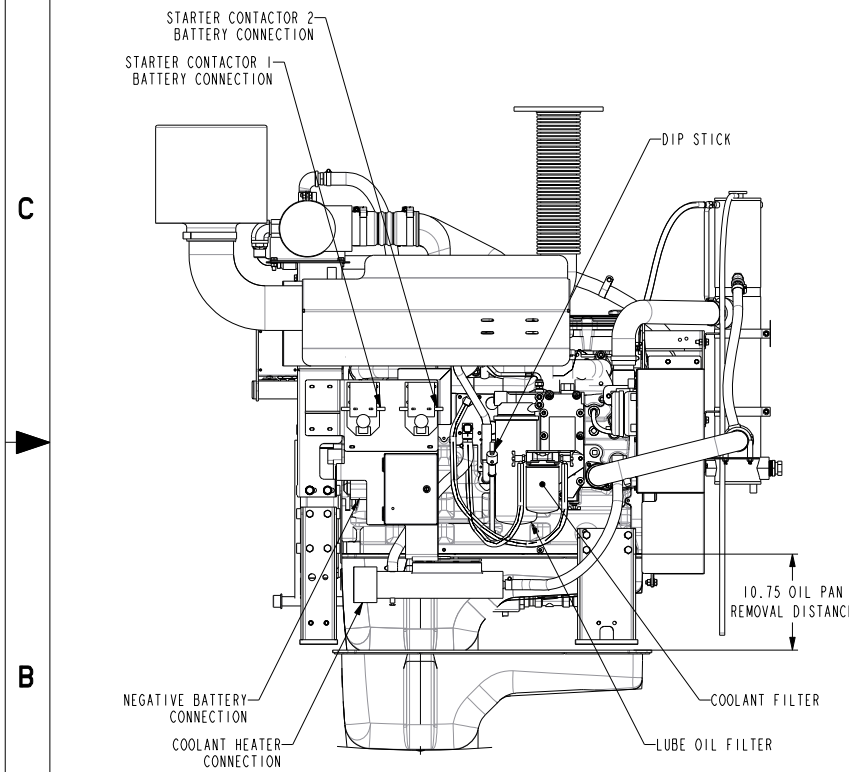
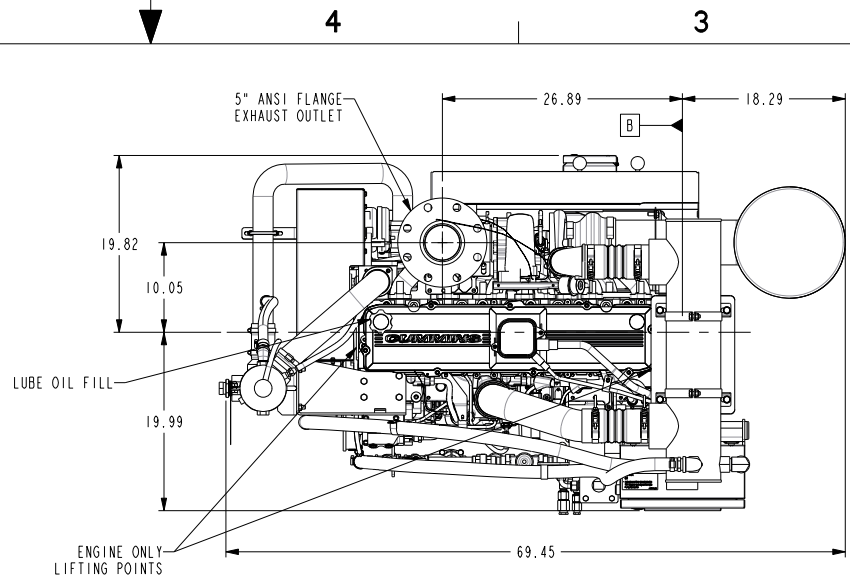


LEGEND AND DATUM IDENTIFIER	
SHEET 1	INSTALLATION DRAWING
SHEET 2	GENERAL ARRANGEMENT - HORIZONTAL SPLIT CASE PUMP BASE OPTION
SHEET 3	GENERAL ARRANGEMENT - VERTICAL TURBINE PUMP BASE OPTION
SHEET 4 & 5	DRIVE LINE OPTIONS
SHEET 6	ELECTRICAL INFORMATION
DATUM "A"	FACE OF FLYWHEEL HOUSING
DATUM "B"	REAR LEG BOLT LOCATION
DATUM "C"	FLYWHEEL MOUNTING SURFACE
DATUM "D"	U-JOINT ADAPTER MOUNTING SURFACE
DATUM "EOS"	END OF PUMP SHAFT

CFP9E CONNECTION INFORMATION	
SAE #3	FLYWHEEL HOUSING
1/2" NPT	FUEL INLET
3/8" NPT	FUEL OUTLET
3/4" NPT	RAW WATER INLET
1" NPT	RAW WATER DISCHARGE
120 / 240 VAC	COOLANT HEATER (1500WATTS)
5" DIA NPT, CUFF, OR FLANGE	EXHAUST CONNECTION
1/2" NPT	VSPLC CONNECTION

REV	REL NO	REVISION	DWN	CKD	APVD	DATE
0	2016-668	INITIAL RELEASE	HE392	-	-	10JAN17
1	2020-021	ADDED CG DIMENSIONS & NOTES. REMOVED CFP9E-F60 SPECS	NO134	MS707	MS707	30JAN20

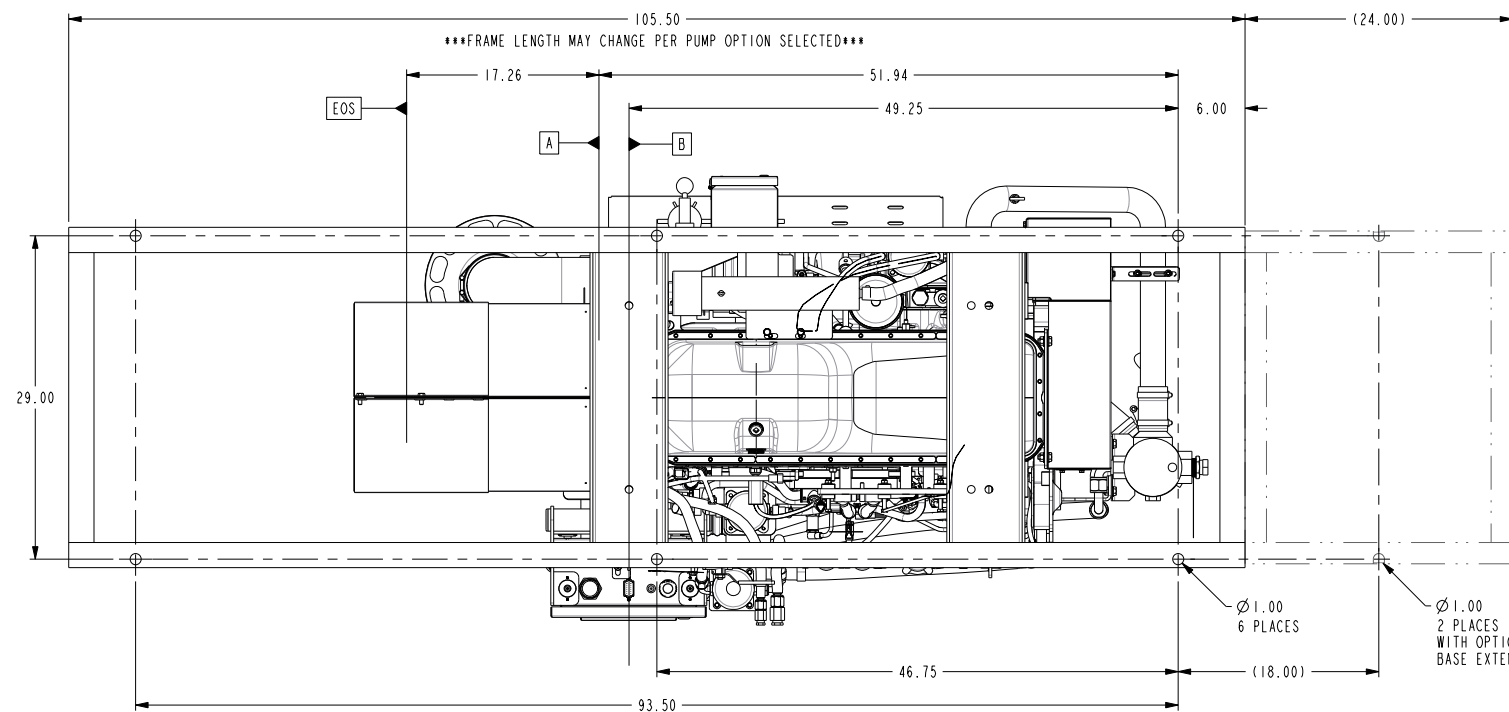
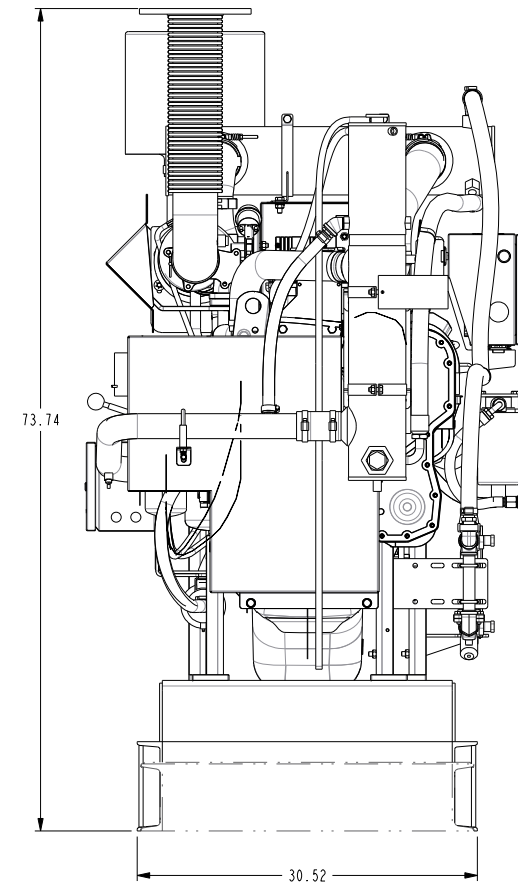
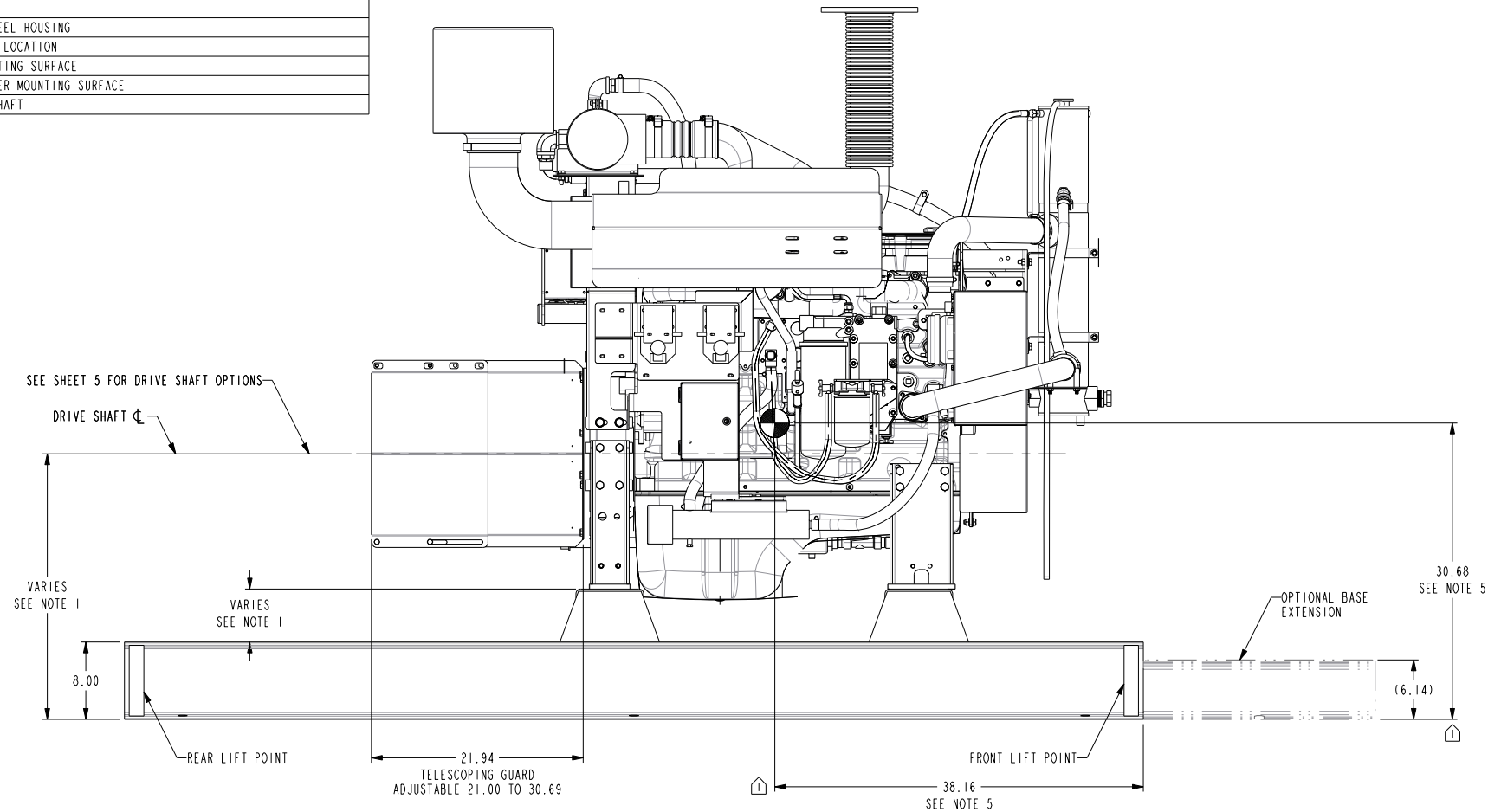


- NOTES:
- ALL PLUMBING MUST BE SUPPORTED AND/OR ISOLATED SO THAT NO WEIGHT OR STRESS IS APPLIED TO ANY ENGINE COMPONENT
 - REFER TO ENGINE DATA SHEET FOR CUSTOMER CONNECTION RECOMMENDATIONS
 - DRAWING SUBJECT TO CHANGE WITH OUT NOTICE
 - CENTER OF GRAVITY LOCATION IS APPROXIMATE

DIMENSIONS ARE IN: INCHES () ARE IN:	DO NOT SCALE PRINT SCALE 0.100	CMI DATA CLASSIFICATION Cummins Confidential	Cummins Inc.		
			DWN HE392 CKD - APVD - DATE 10JAN2017	ITEM NAME GENERAL ARRANGEMENT CFP9E-F10/20/30/40/50	
DRAWING TOLERANCES APPLY TO PRIMARY DIMENSIONS UNLESS OTHERWISE SPECIFIED X: ± 1 IN OR 4 mm X.2: ± 1 IN OR 0.7 mm X.125: ± 0.00 IN OR 0.25 mm X.5: ± 0.01 IN OR 0.51 mm ANGULAR TOLERANCE: ±	FOR INTERPRETATION OF DIMENSIONING AND TOLERANCING, SEE ASME Y14.5-2009	MUST CONFORM TO CES 10903	CAD SHEET 1 OF 6	ITEM NUMBER A042J658	REV 1

LEGEND AND DATUM IDENTIFIER	
SHEET 1	INSTALLATION DRAWING
SHEET 2	GENERAL ARRANGEMENT - HORIZONTAL SPLIT CASE PUMP BASE OPTION
SHEET 3	GENERAL ARRANGEMENT - VERTICAL TURBINE PUMP BASE OPTION
SHEET 4 & 5	DRIVE LINE OPTIONS
SHEET 6	ELECTRICAL INFORMATION
DATUM "A"	FACE OF FLYWHEEL HOUSING
DATUM "B"	REAR LEG BOLT LOCATION
DATUM "C"	FLYWHEEL MOUNTING SURFACE
DATUM "D"	U-JOINT ADAPTER MOUNTING SURFACE
DATUM "EOS"	END OF PUMP SHAFT

REV	REL NO	REVISION	DWN	CKD	APVD	DATE
0	2016-668	INITIAL RELEASE	HE392	-	-	10JAN17
1	2020-021	SEE SHEET 1 FOR REVISION DETAILS	NO134	MS707	MS707	30JAN20

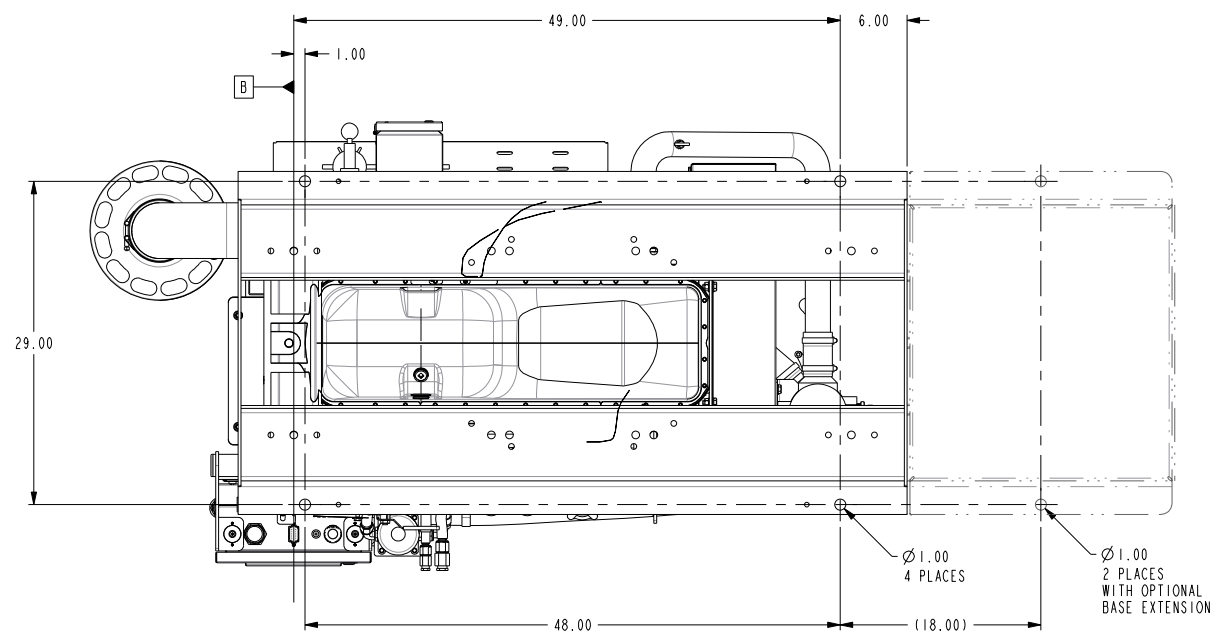
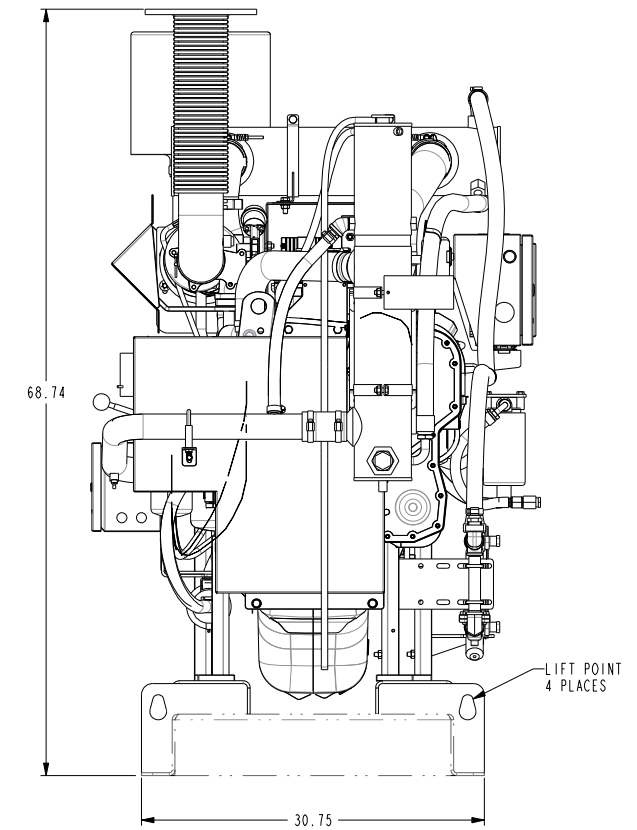
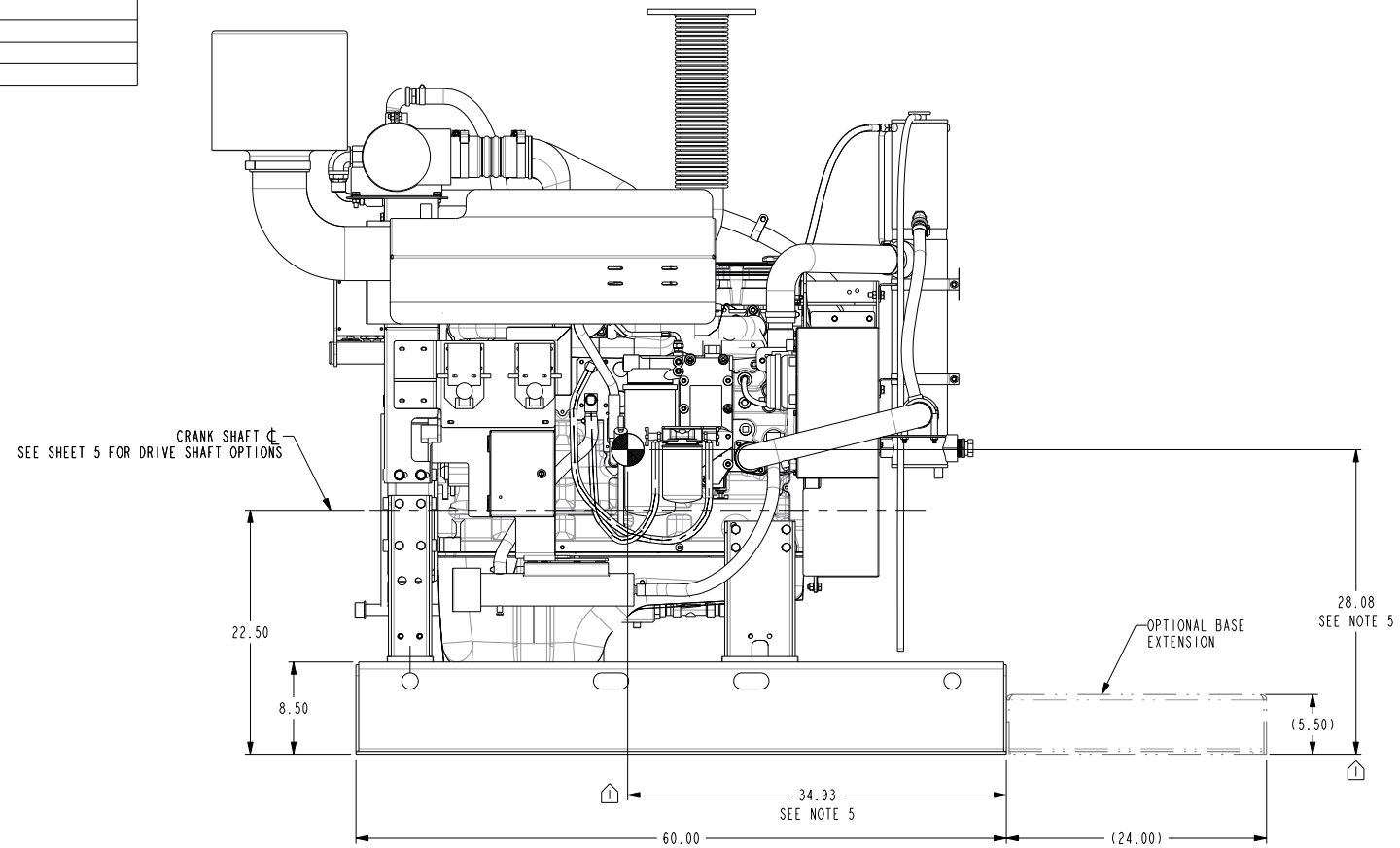


- NOTES:
1. RISER HEIGHT VARIES TO ACCOMMODATE CUSTOMER SUPPLIED PUMPS
 2. REFERENCE OWNERS MANUAL FOR DRIVE SHAFT ALIGNMENT SPECS
 3. DRAWING SUBJECT TO CHANGE WITH OUT NOTICE.
 4. REFERENCE SHEET 1 FOR BASE FIRE PUMP INTERFACE
 5. CENTER OF GRAVITY LOCATION IS APPROXIMATE & DOES NOT INCLUDE U-JOINT ADAPTER, DRIVE SHAFT, COMPANION FLANGE, DRIVE SHAFT GUARDS OR BASE EXTENSION

DIMENSIONS ARE IN: INCHES 1.1 ARE IN.	DO NOT SCALE PRINT SCALE 0.125	CM1 DATA CLASSIFICATION Cummins Confidential		Cummins Inc.	
DRAWING TOLERANCES APPLY TO PRIMARY DIMENSIONS UNLESS OTHERWISE SPECIFIED X: ± 0.004 IN OR 0.1 mm X.X: ± 0.003 IN OR 0.25 mm X.XX: ± 0.002 IN OR 0.152 mm ANGULAR TOLERANCE: ± 0.005	DWN HE392 CKD - APVD - DATE 10JAN2017	FOR INTERPRETATION OF DIMENSIONING AND TOLERANCING, SEE ASME Y14.5-2009		ITEM NAME GENERAL ARRANGEMENT CFP9E-F10/20/30/40/50	CAD SHEET 2 OF 6
THIS DOCUMENT AND THE INFORMATION SHOWN HEREON IS CONFIDENTIAL AND PROPRIETARY AND SHALL NOT BE DISCLOSED TO OTHERS IN HARD COPY OR ELECTRONIC FORM, REPRODUCED BY ANY MEANS, OR USED FOR ANY PURPOSE WITHOUT WRITTEN CONSENT OF CUMMINS INC.			MUST CONFORM TO CES 10903	REV 1	

LEGEND AND DATUM IDENTIFIER	
SHEET 1	INSTALLATION DRAWING
SHEET 2	GENERAL ARRANGEMENT - HORIZONTAL SPLIT CASE PUMP BASE OPTION
SHEET 3	GENERAL ARRANGEMENT - VERTICAL TURBINE PUMP BASE OPTION
SHEET 4 & 5	DRIVE LINE OPTIONS
SHEET 6	ELECTRICAL INFORMATION
DATUM "A"	FACE OF FLYWHEEL HOUSING
DATUM "B"	REAR LEG BOLT LOCATION
DATUM "C"	FLYWHEEL MOUNTING SURFACE
DATUM "D"	U-JOINT ADAPTER MOUNTING SURFACE
DATUM "EOS"	END OF PUMP SHAFT

REV	REL NO	REVISION	DWN	CKD	APVD	DATE
0	2016-668	INITIAL RELEASE	HE392	-	-	10JAN17
1	2020-021	SEE SHEET 1 FOR REVISION DETAILS	NO134	MS707	MS707	30JAN20

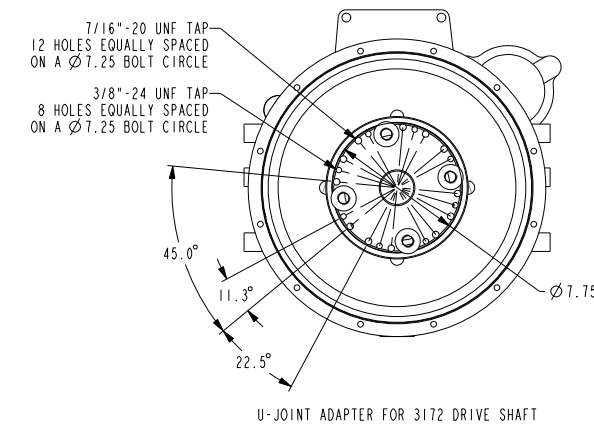
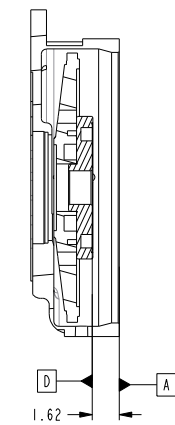
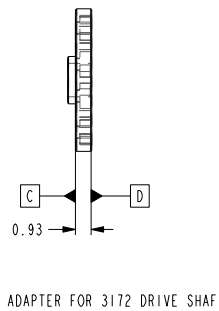
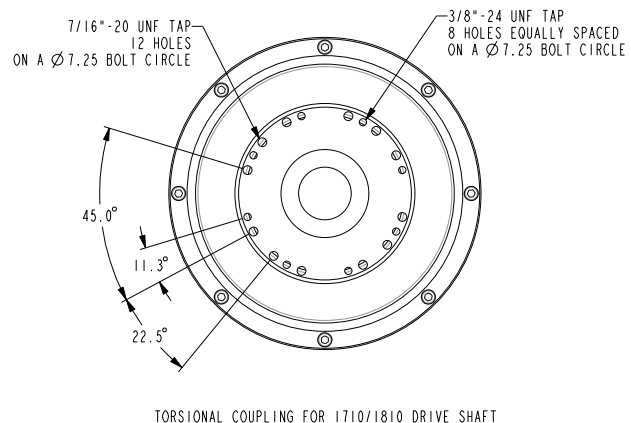
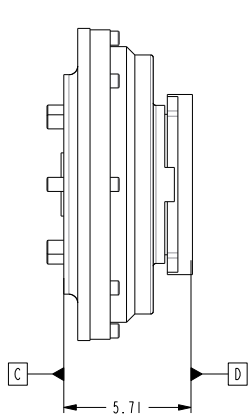
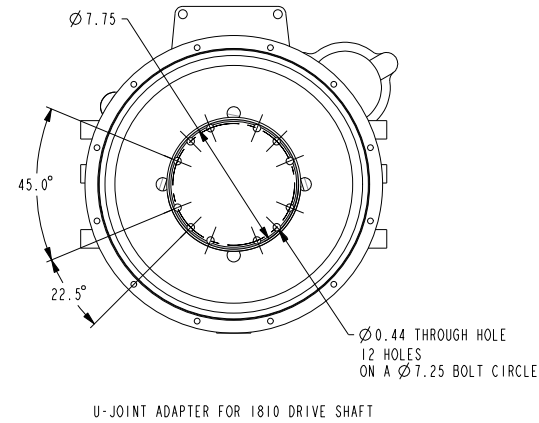
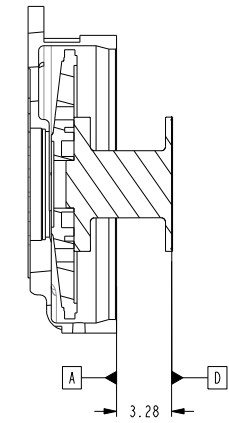
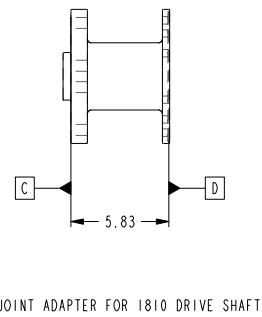
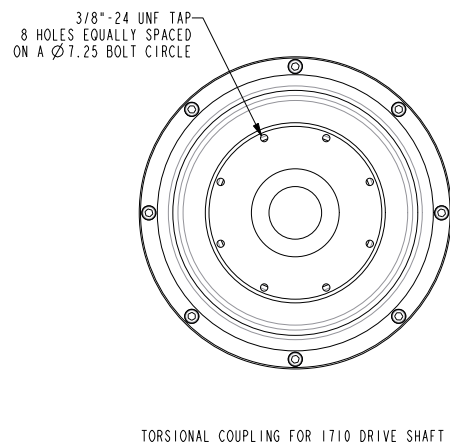
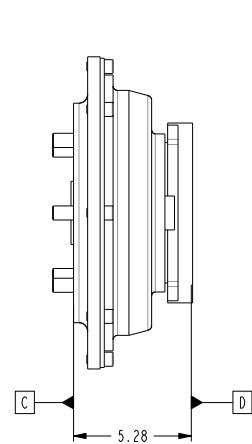
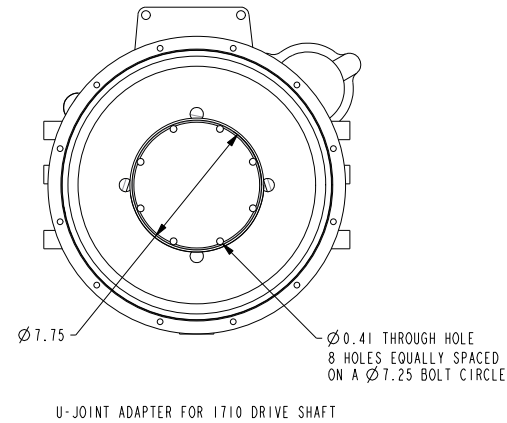
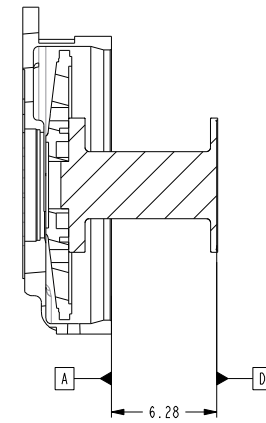
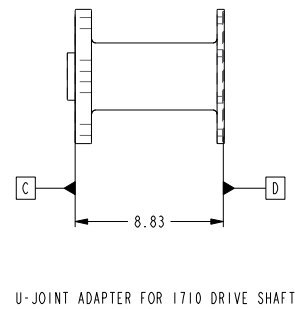
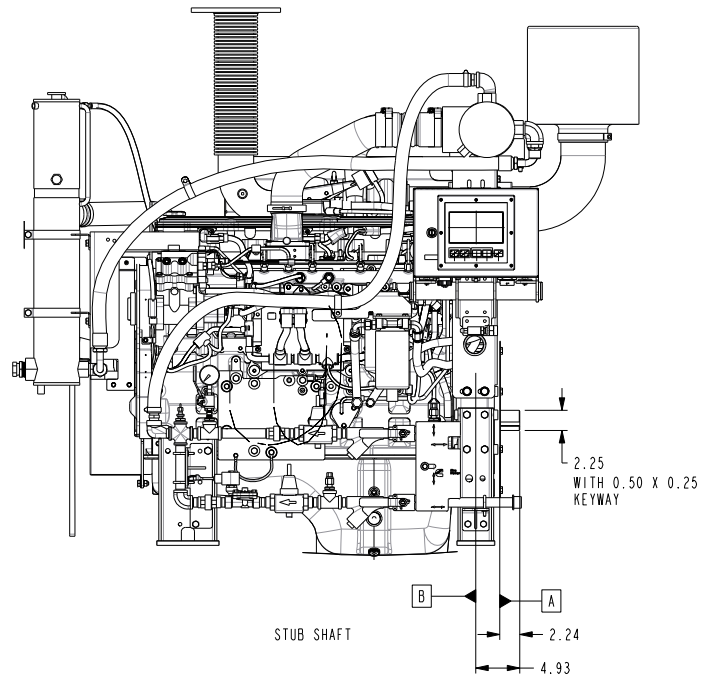


- NOTES:
- TORSIONAL ANALYSIS REQUIRED FOR VERTICAL TURBINE INSTALLATION
 - REFERENCE OWNERS MANUAL FOR DRIVE SHAFT ALIGNMENT SPECS
 - DRAWING SUBJECT TO CHANGE WITH OUT NOTICE
 - REFERENCE SHEET 1 FOR BASE FIRE PUMP INTERFACE
 - CENTER OF GRAVITY LOCATION IS APPROXIMATE & DOES NOT INCLUDE BASE EXTENSION

DIMENSIONS ARE IN: INCHES () ARE IN:	DO NOT SCALE PRINT SCALE 0.125	CMI DATA CLASSIFICATION Cummins Confidential		Cummins Inc.	
				DWN HE392 CKD - APVD - DATE 10JAN2017	ITEM NAME GENERAL ARRANGEMENT CFP9E-F10/20/30/40/50
DRAWING TOLERANCES APPLY TO PRIMARY DIMENSIONS UNLESS OTHERWISE SPECIFIED X: ± 1 IN OR 4 mm X.I: ± 1 IN OR 0.1 mm X.IX: ± 0.00 IN OR 0.25 mm X.IX: ± 0.01 IN OR 0.25 mm ANGULAR TOLERANCE: ±		FOR INTERPRETATION OF DIMENSIONING AND TOLERANCING, SEE ASME Y14.5-2009	MUST CONFORM TO CES 10903	CAD SHEET 3 OF 6	ITEM NUMBER A042J658
THIS DOCUMENT AND THE INFORMATION SHOWN HEREON IS CONFIDENTIAL AND PROPRIETARY AND SHALL NOT BE DISCLOSED TO OTHERS IN HARD COPY OR ELECTRONIC FORM, REPRODUCED BY ANY MEANS, OR USED FOR ANY PURPOSE WITHOUT WRITTEN CONSENT OF CUMMINS INC.			REV I		

LEGEND AND DATUM IDENTIFIER	
SHEET 1	INSTALLATION DRAWING
SHEET 2	GENERAL ARRANGEMENT - HORIZONTAL SPLIT CASE PUMP BASE OPTION
SHEET 3	GENERAL ARRANGEMENT - VERTICAL TURBINE PUMP BASE OPTION
SHEET 4 & 5	DRIVE LINE OPTIONS
SHEET 6	ELECTRICAL INFORMATION
DATUM "A"	FACE OF FLYWHEEL HOUSING
DATUM "B"	REAR LEG BOLT LOCATION
DATUM "C"	FLYWHEEL MOUNTING SURFACE
DATUM "D"	U-JOINT ADAPTER MOUNTING SURFACE
DATUM "EOS"	END OF PUMP SHAFT

REV	REL NO	REVISION	DWN	CKD	APVD	DATE
0	2016-668	INITIAL RELEASE	HE392	-	-	10JAN17
1	2020-021	SEE SHEET 1 FOR REVISION DETAILS	NO134	MS707	MS707	30JAN20

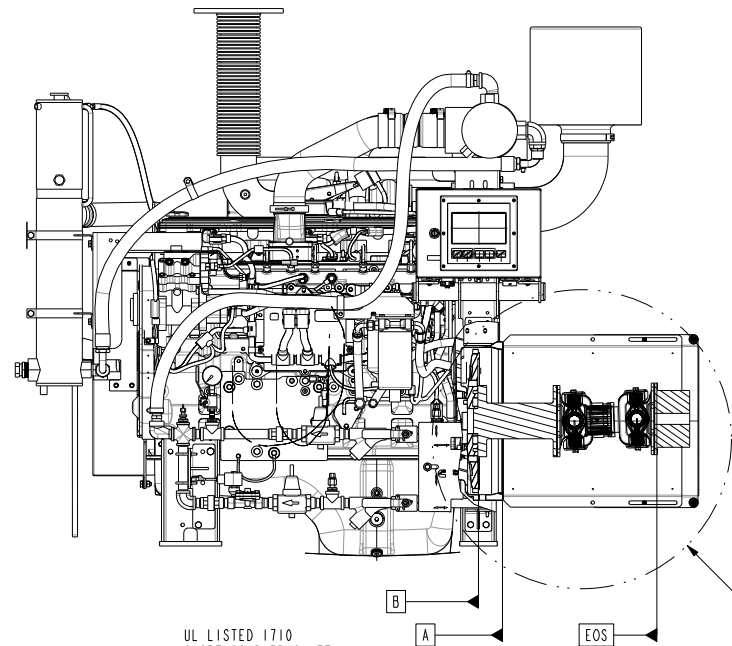


DIMENSIONS ARE IN: INCHES 1:1 ARE IN: DRAWING TOLERANCES APPLY TO PRIMARY DIMENSIONS UNLESS OTHERWISE SPECIFIED	DO NOT SCALE PRINT SCALE 0.100	CMV DATA CLASSIFICATION Cummins Confidential	Cummins Inc.
X: ± 1 IN OR 4 mm X.I: ± 1 IN OR 0.1 mm X.II: ± 0.00 IN OR 0.25 mm X.III: ± 0.01 IN OR 0.25 mm ANGULAR TOLERANCE: ±		DWN HE392 CKD - APVD - DATE 10JAN2017	ITEM NAME GENERAL ARRANGEMENT CFP9E-F10/20/30/40/50
THIS DOCUMENT AND THE INFORMATION SHOWN THEREON IS CONFIDENTIAL AND PROPRIETARY AND SHALL NOT BE DISCLOSED TO OTHERS IN HARD COPY OR ELECTRONIC FORM, REPRODUCED BY ANY MEANS, OR USED FOR ANY PURPOSE WITHOUT WRITTEN CONSENT OF CUMMINS INC.		FOR INTERPRETATION OF DIMENSIONING AND TOLERANCING, SEE ASME Y14.5-2009	MUST CONFORM TO CES 10903
			CAD SHEET 4 OF 6 ITEM NUMBER A042J658 REV I

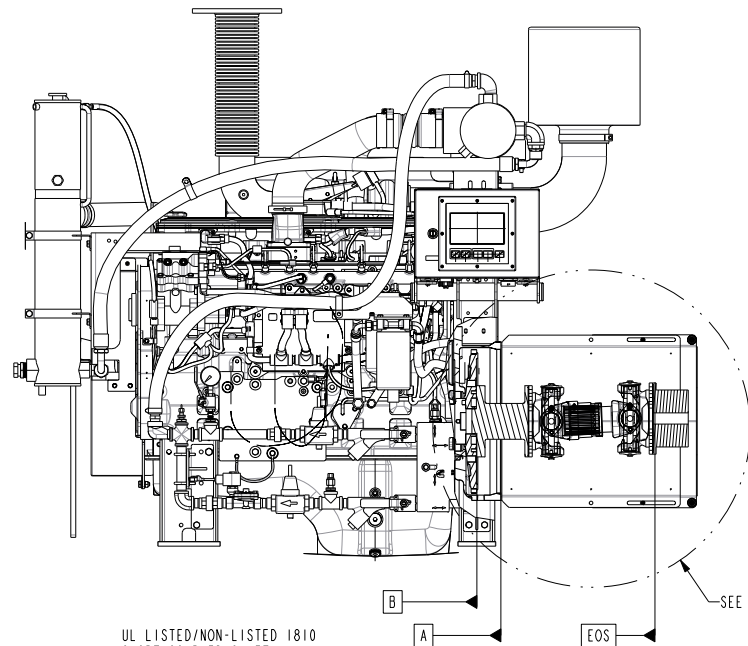
LEGEND AND DATUM IDENTIFIER	
SHEET 1	INSTALLATION DRAWING
SHEET 2	GENERAL ARRANGEMENT - HORIZONTAL SPLIT CASE PUMP BASE OPTION
SHEET 3	GENERAL ARRANGEMENT - VERTICAL TURBINE PUMP BASE OPTION
SHEET 4 & 5	DRIVE LINE OPTIONS
SHEET 6	ELECTRICAL INFORMATION
DATUM "A"	FACE OF FLYWHEEL HOUSING
DATUM "B"	REAR LEG BOLT LOCATION
DATUM "C"	FLYWHEEL MOUNTING SURFACE
DATUM "D"	U-JOINT ADAPTER MOUNTING SURFACE
DATUM "EOS"	END OF PUMP SHAFT

ENGINE MODELS	CFP F-RATINGS WITH MULTIPLE SHAFTS				
	RPM 1470	RPM 1710	RPM 1760	RPM 1900	RPM 2100
CFP9E-F10	1710 SHAFT	1710 SHAFT	1710 SHAFT	1710 SHAFT	1710 SHAFT
CFP9E-F20	1810 SHAFT	1810 SHAFT	1810 SHAFT	1710 SHAFT	1710 SHAFT
CFP9E-F30	1810 SHAFT	1810 SHAFT	1810 SHAFT	1710 SHAFT	1710 SHAFT
CFP9E-F40	1810 SHAFT	1810 SHAFT	1810 SHAFT	1710 SHAFT	1710 SHAFT
CFP9E-F50	3172 SHAFT	3172 SHAFT	1810 SHAFT	1810 SHAFT	1710 SHAFT

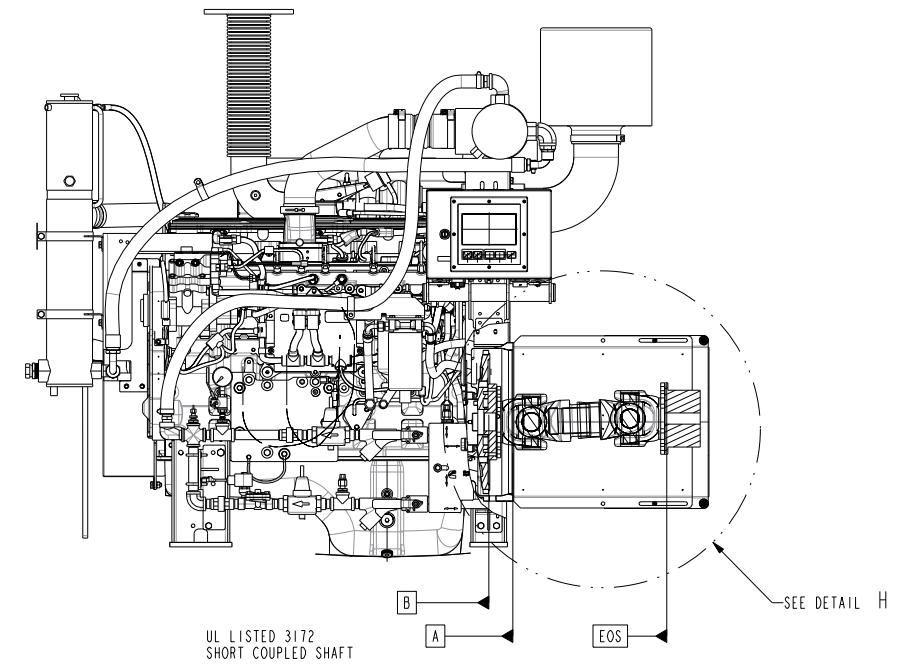
REV	REL NO	REVISION	DWN	CKD	APVD	DATE
0	2016-668	INITIAL RELEASE	HE392	-	-	10JAN17
1	2020-021	SEE SHEET 1 FOR REVISION DETAILS	NO134	MS707	MS707	30JAN20



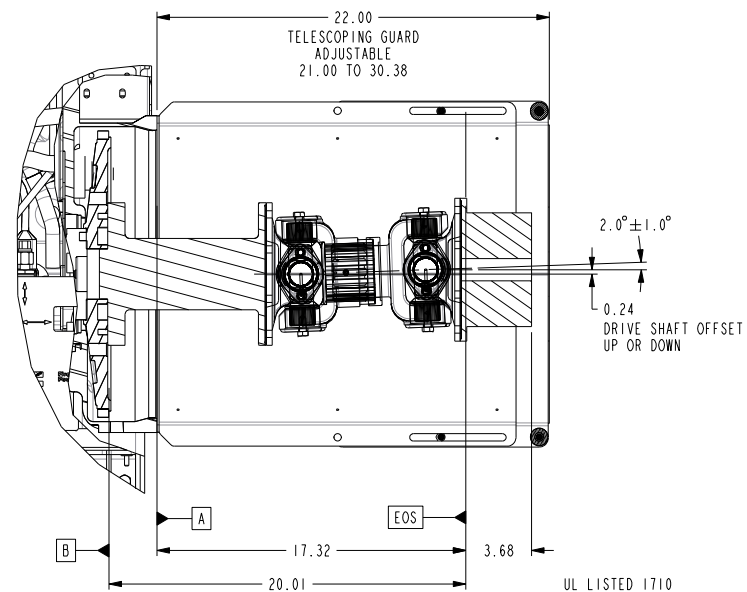
UL LISTED 1710
SHORT COUPLED SHAFT



UL LISTED/NON-LISTED 1810
SHORT COUPLED SHAFT

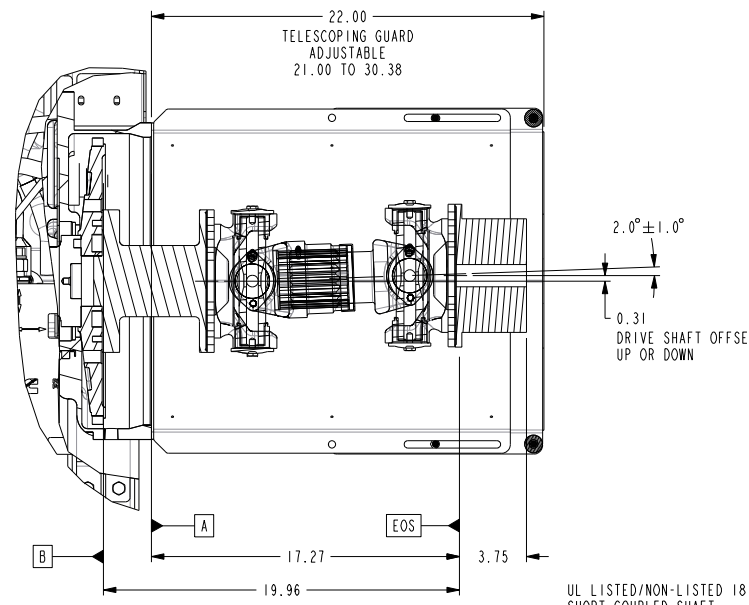


UL LISTED 3172
SHORT COUPLED SHAFT



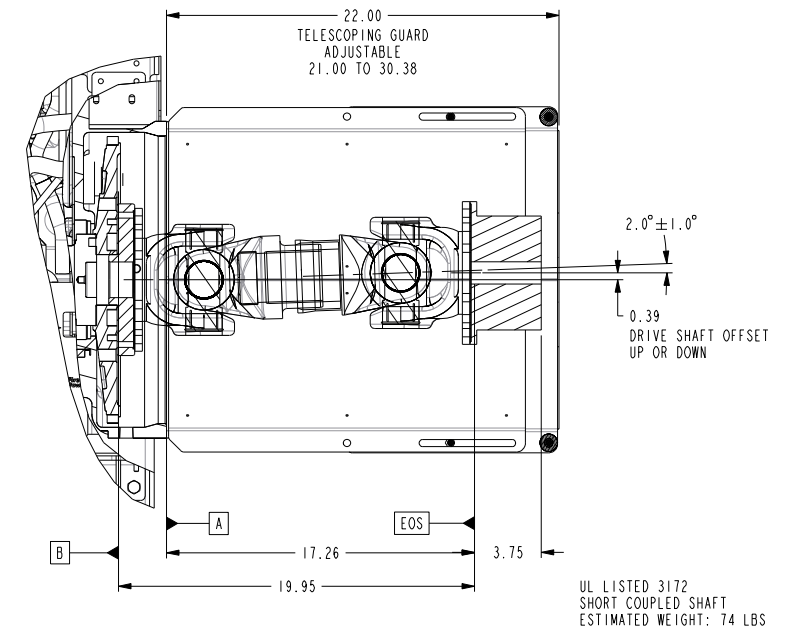
UL LISTED 1710
SHORT COUPLED SHAFT
ESTIMATED WEIGHT: 104 LBS

DETAIL F
SCALE 0.200



UL LISTED/NON-LISTED 1810
SHORT COUPLED SHAFT
ESTIMATED WEIGHT: 78 LBS

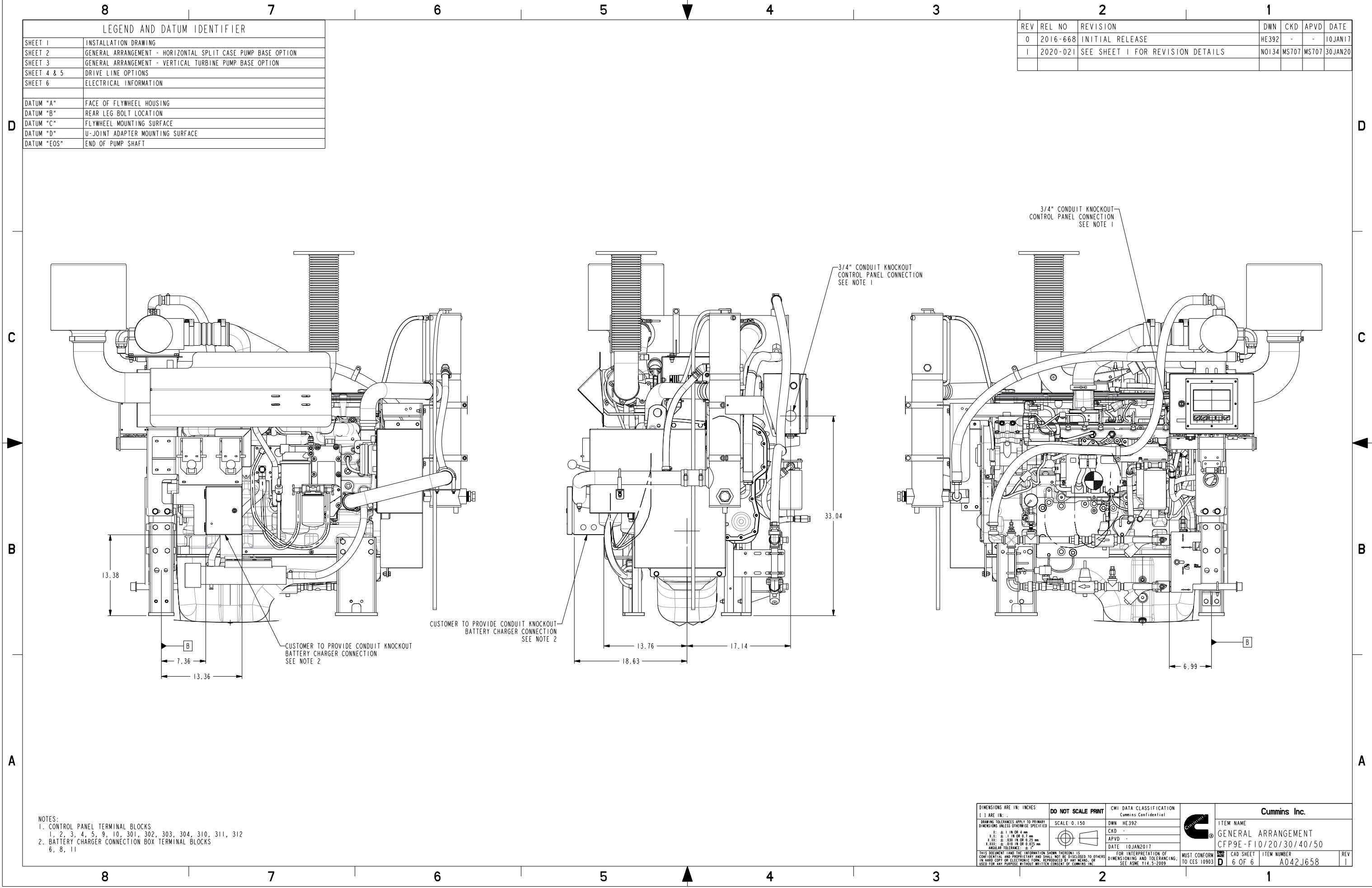
DETAIL G
SCALE 0.200



UL LISTED 3172
SHORT COUPLED SHAFT
ESTIMATED WEIGHT: 74 LBS

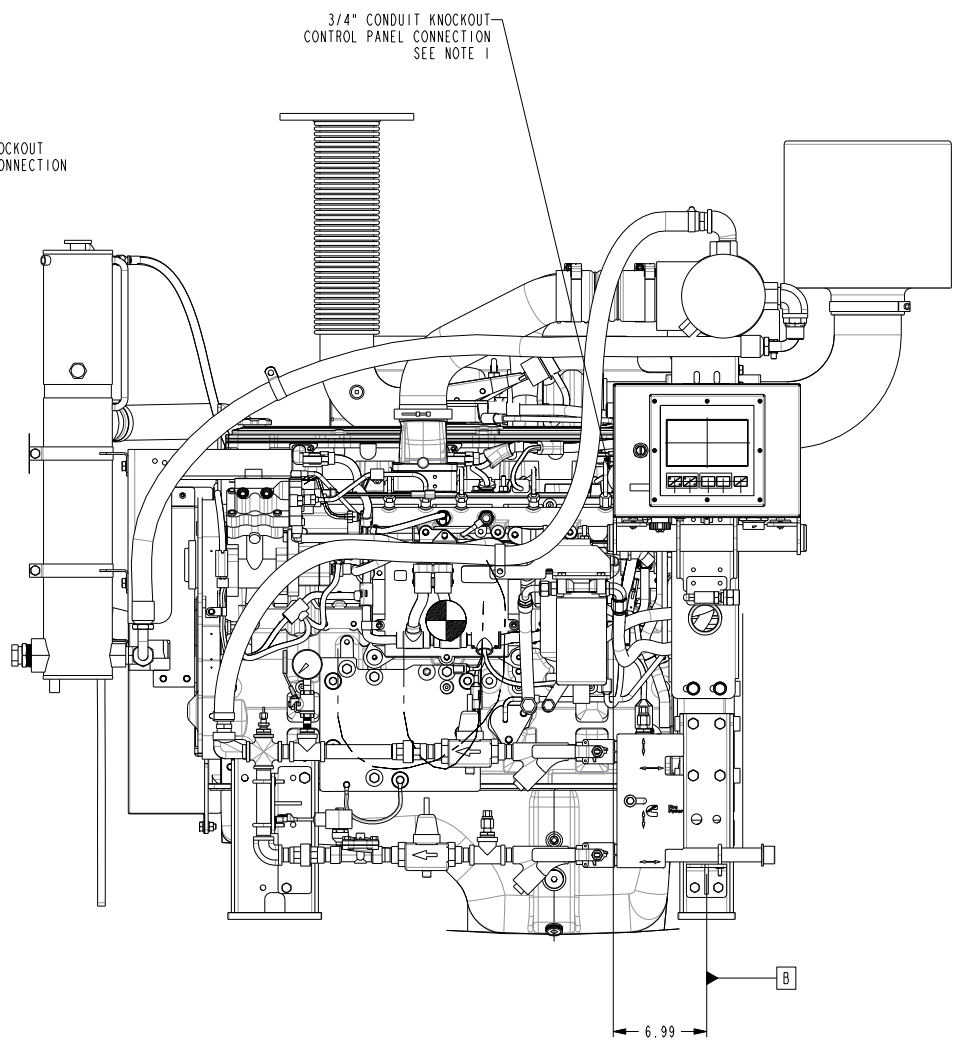
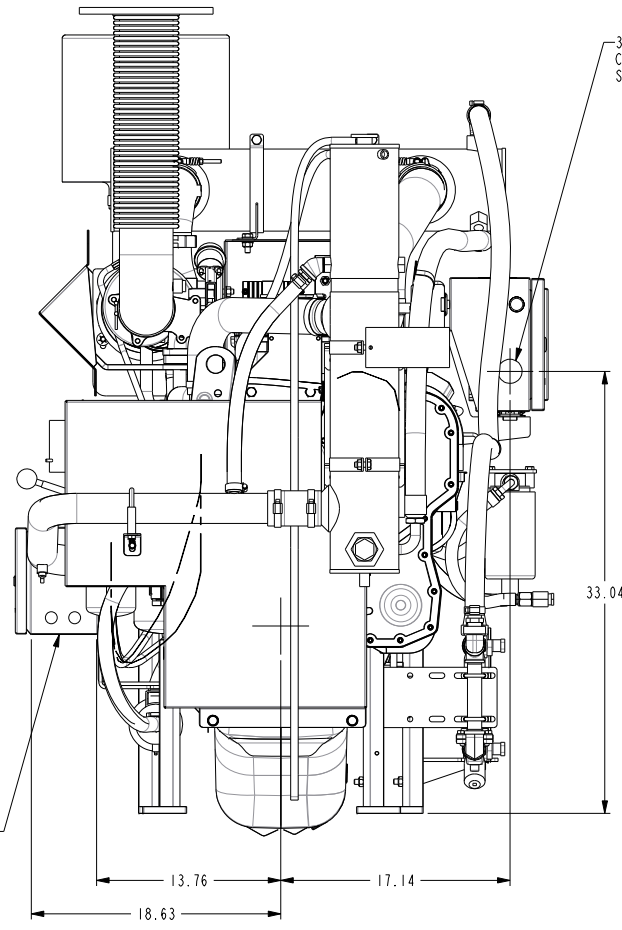
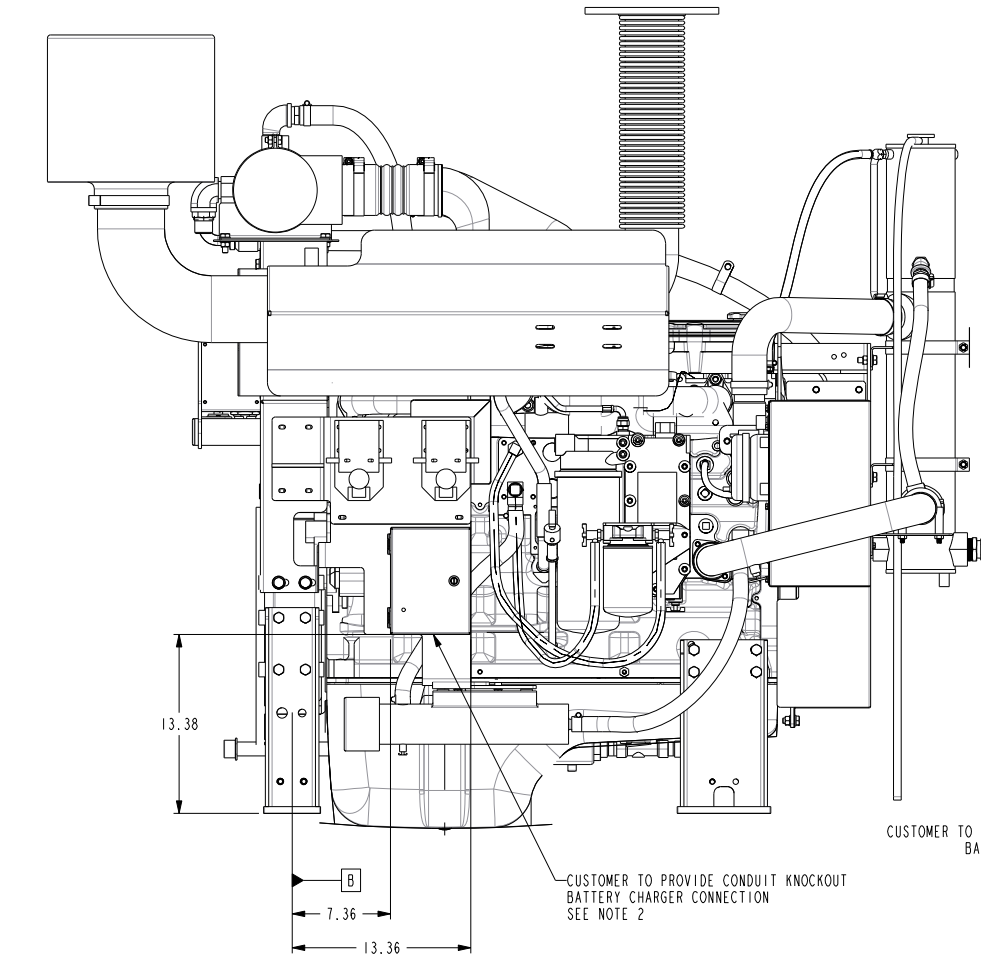
DETAIL H
SCALE 0.200

DIMENSIONS ARE IN: INCHES () ARE IN: MILLIMETERS DRAWING TOLERANCES APPLY TO PRIMARY DIMENSIONS UNLESS OTHERWISE SPECIFIED X: ± 1 IN OR 4 mm X.X: ± .1 IN OR 0.1 mm X.XX: ± .030 IN OR 0.25 mm X.XXX: ± .010 IN OR 0.025 mm ANGULAR TOLERANCES: ±	DO NOT SCALE PRINT SCALE 0.100	CMI DATA CLASSIFICATION Cummins Confidential DWN HE392 CKD - APVD - DATE 10JAN2017		Cummins Inc.	
				ITEM NAME GENERAL ARRANGEMENT CFP9E-F10/20/30/40/50	
THIS DOCUMENT AND THE INFORMATION SHOWN THEREON IS CONFIDENTIAL AND PROPRIETARY AND SHALL NOT BE DISCLOSED TO OTHERS IN HARD COPY OR ELECTRONIC FORM, REPRODUCED BY ANY MEANS, OR USED FOR ANY PURPOSE WITHOUT WRITTEN CONSENT OF CUMMINS INC.			FOR INTERPRETATION OF DIMENSIONING AND TOLERANCING, SEE ASME Y14.5-2009		MUST CONFORM TO CES 10903
CAD SHEET 5 OF 6		ITEM NUMBER A042J658		REV 1	



REV	REL NO	REVISION	DWN	CKD	APVD	DATE
0	2016-668	INITIAL RELEASE	HE392	-	-	10JAN17
1	2020-021	SEE SHEET 1 FOR REVISION DETAILS	NO134	MS707	MS707	30JAN20

LEGEND AND DATUM IDENTIFIER	
SHEET 1	INSTALLATION DRAWING
SHEET 2	GENERAL ARRANGEMENT - HORIZONTAL SPLIT CASE PUMP BASE OPTION
SHEET 3	GENERAL ARRANGEMENT - VERTICAL TURBINE PUMP BASE OPTION
SHEET 4 & 5	DRIVE LINE OPTIONS
SHEET 6	ELECTRICAL INFORMATION
DATUM "A"	FACE OF FLYWHEEL HOUSING
DATUM "B"	REAR LEG BOLT LOCATION
DATUM "C"	FLYWHEEL MOUNTING SURFACE
DATUM "D"	U-JOINT ADAPTER MOUNTING SURFACE
DATUM "EOS"	END OF PUMP SHAFT



- NOTES:
- CONTROL PANEL TERMINAL BLOCKS
1, 2, 3, 4, 5, 9, 10, 301, 302, 303, 304, 310, 311, 312
 - BATTERY CHARGER CONNECTION BOX TERMINAL BLOCKS
6, 8, 11

DIMENSIONS ARE IN: INCHES 1, 1 ARE IN:	DO NOT SCALE PRINT SCALE 0.150	CMI DATA CLASSIFICATION Cummins Confidential		Cummins Inc.		
DRAWING TOLERANCES APPLY TO PRIMARY DIMENSIONS UNLESS OTHERWISE SPECIFIED X: ± 1 IN OR 4 mm X.I: ± .1 IN OR 0.7 mm X.IX: ± .030 IN OR 0.25 mm X.IX: ± .015 IN OR 0.35 mm ANGULAR TOLERANCE: ±	FOR INTERPRETATION OF DIMENSIONING AND TOLERANCING, SEE ASME Y14.5-2009	DWN HE392 CKD - APVD - DATE 10JAN2017		ITEM NAME GENERAL ARRANGEMENT CFP9E-F10/20/30/40/50	MUST CONFORM TO CES 10903	CAD SHEET 6 OF 6 ITEM NUMBER A042J658