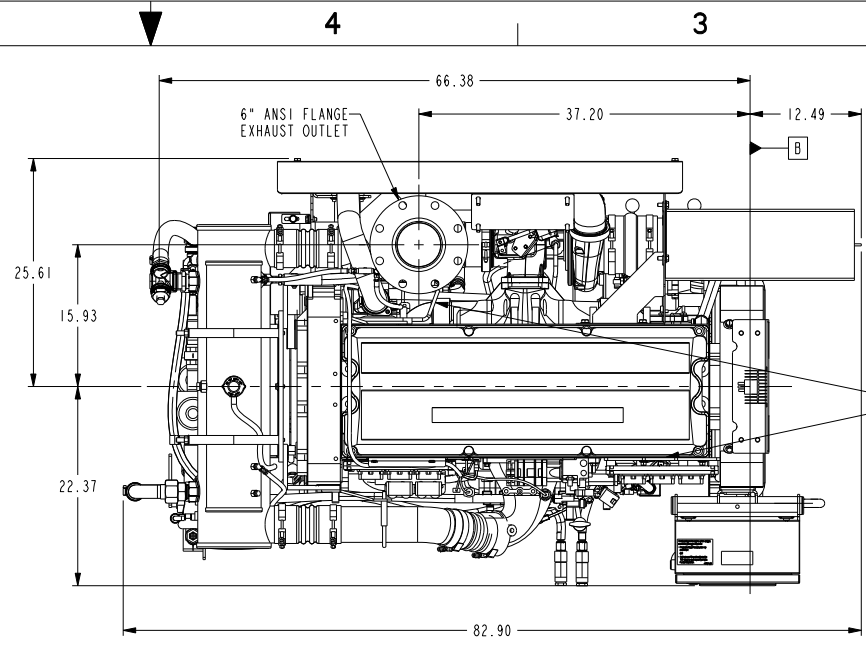


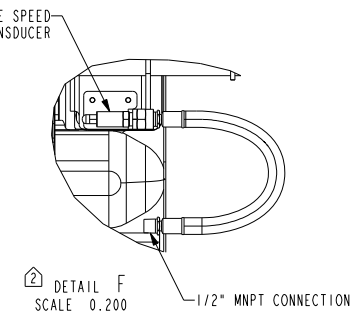
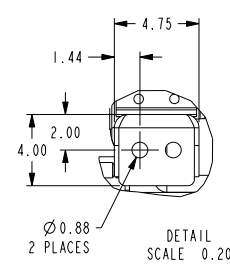
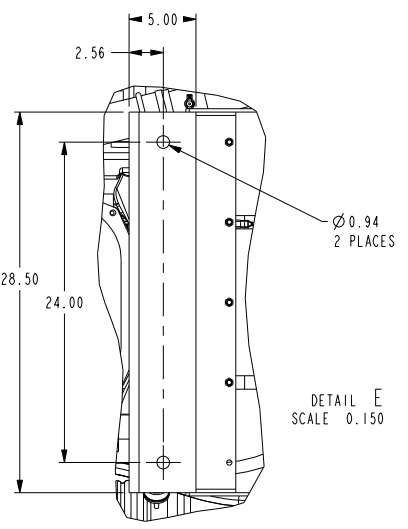
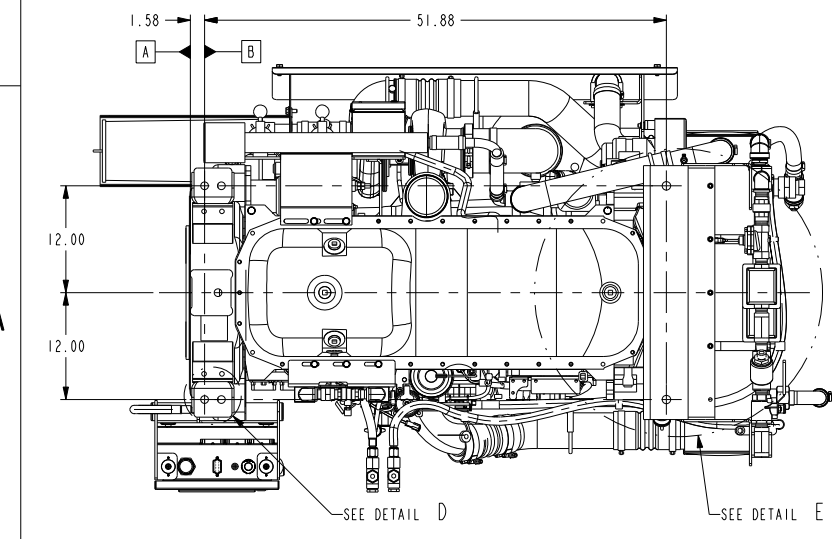
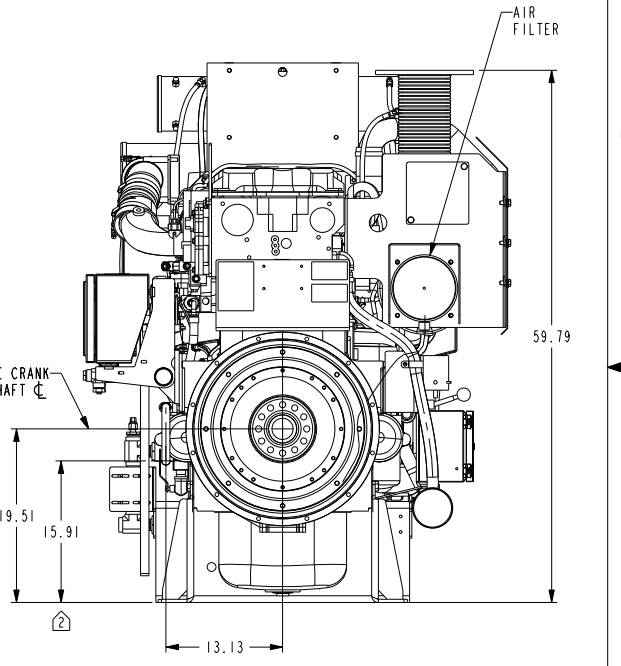
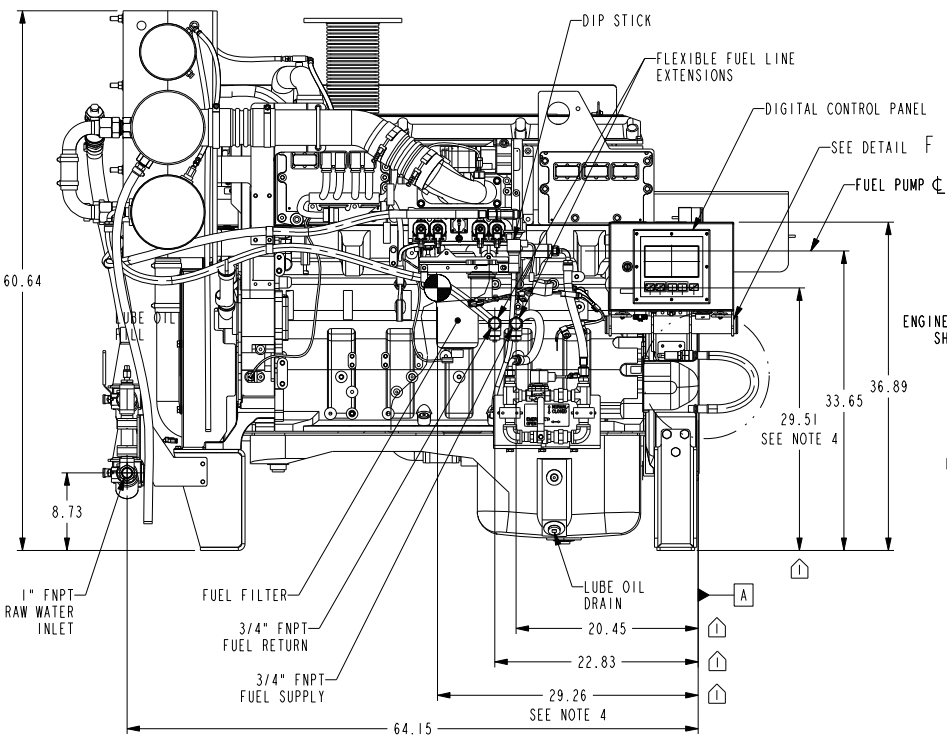
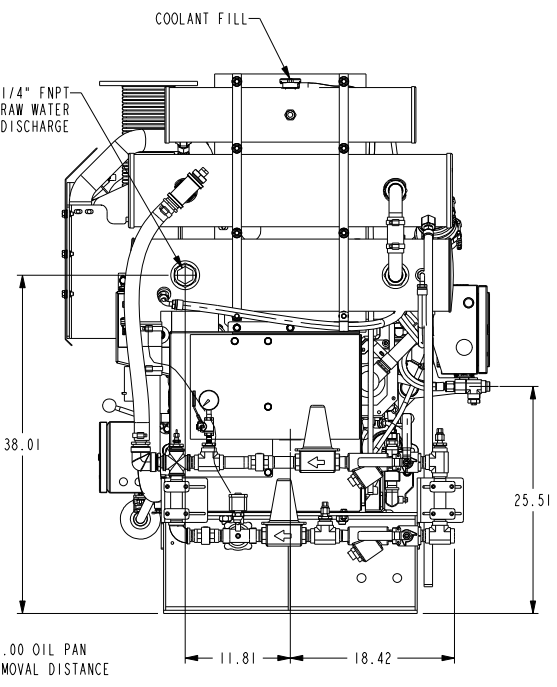
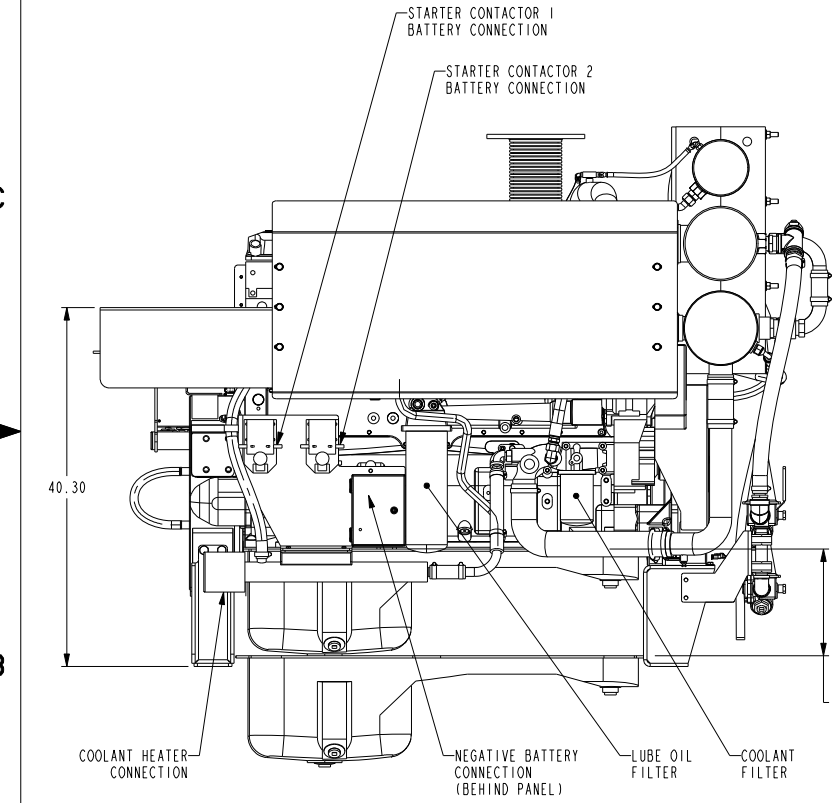
| LEGEND AND DATUM IDENTIFIER | |
|-----------------------------|--|
| SHEET 1 | INSTALLATION DRAWING |
| SHEET 2 | GENERAL ARRANGEMENT - HORIZONTAL SPLIT CASE PUMP BASE OPTION |
| SHEET 3 | GENERAL ARRANGEMENT - VERTICAL TURBINE PUMP BASE OPTION |
| SHEET 4 | DRIVE LINE OPTIONS |
| SHEET 5 | ELECTRICAL INFORMATION |
| DATUM "A" | FACE OF FLYWHEEL HOUSING |
| DATUM "B" | REAR LEG BOLT LOCATION |
| DATUM "C" | FLYWHEEL MOUNTING SURFACE |
| DATUM "D" | UJOINT ADAPTER MOUNTING SURFACE |
| DATUM "EOS" | END OF PUMP SHAFT |

| CFP15E CONNECTION INFORMATION | |
|-------------------------------|-----------------------------|
| SAE #1 | FLYWHEEL HOUSING |
| 3/4" FNPT | FUEL INLET |
| 3/4" FNPT | FUEL OUTLET |
| 1" FNPT | RAW WATER INLET |
| 1 1/4" FNPT | RAW WATER DISCHARGE |
| 120 / 240 VAC | COOLANT HEATER (3000 WATTS) |
| 6" DIA NPT, CUFF, OR FLANGE | EXHAUST CONNECTION |
| 1/2" MNPT | VSPLC CONNECTION |

| REV | REL NO | REVISION | DWN | CKD | APVD | DATE |
|-----|----------|--|-----|-----|------|---------|
| 0 | 2016-668 | INITIAL RELEASE | PBS | - | - | 12JAN17 |
| 1 | 2020-021 | ADDED CG DIMENSIONS & NOTES; REMOVED CFP15E-F40 SPECS; REPLACED ECM & WIRE HARNESS; UPDATED FUEL LINE KIT | KMS | JJW | JJW | 31JAN20 |
| 2 | 2021-153 | REPLACED ENGINE, DRIVE SHAFT GUARD & VARIABLE SPEED PRESSURE TRANSDUCER ASSEMBLIES; REMOVED WIRE HARNESS; ADDED DIMS; UPDATED DETAILED VIEW & DIMS | KMS | MJD | MJD | 03JUN21 |



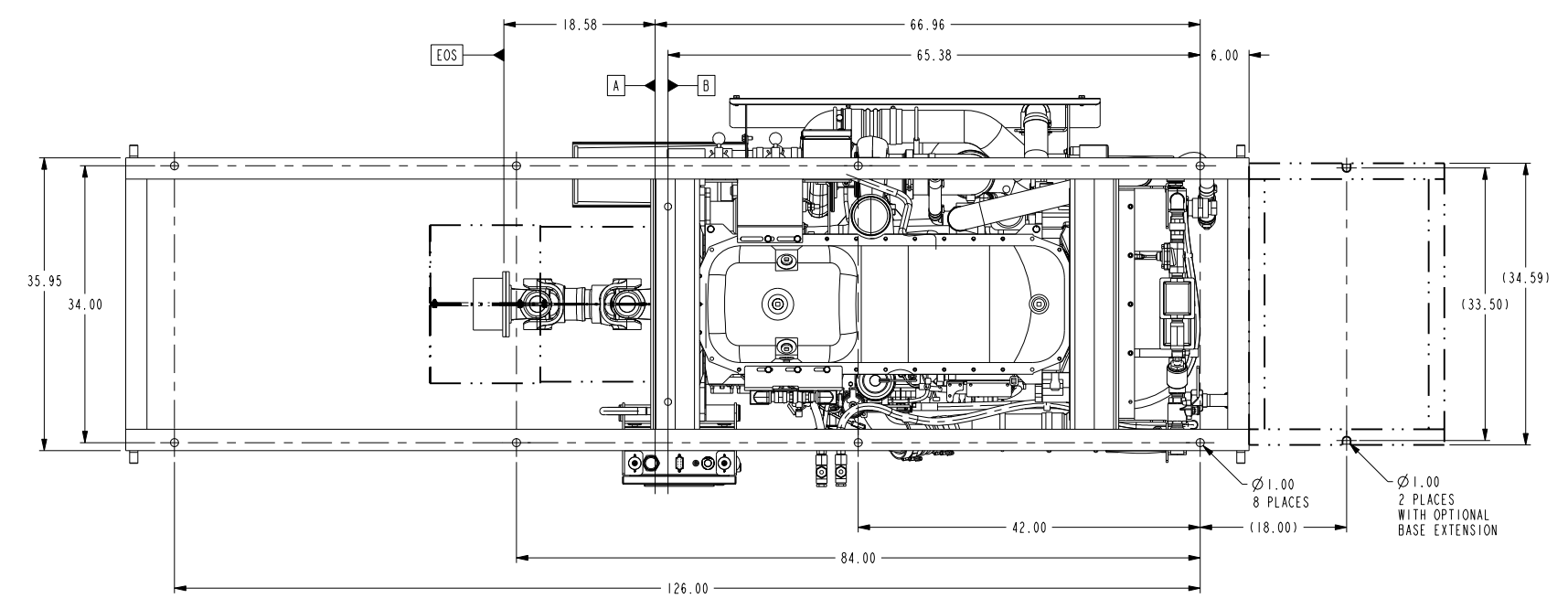
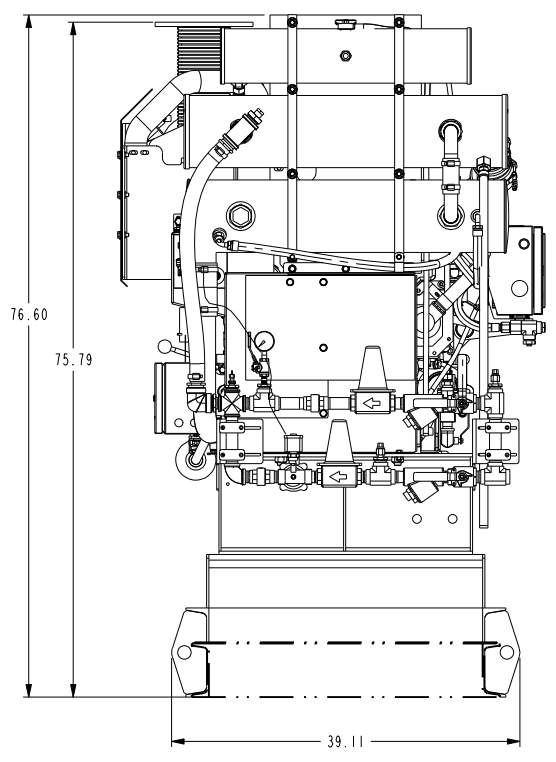
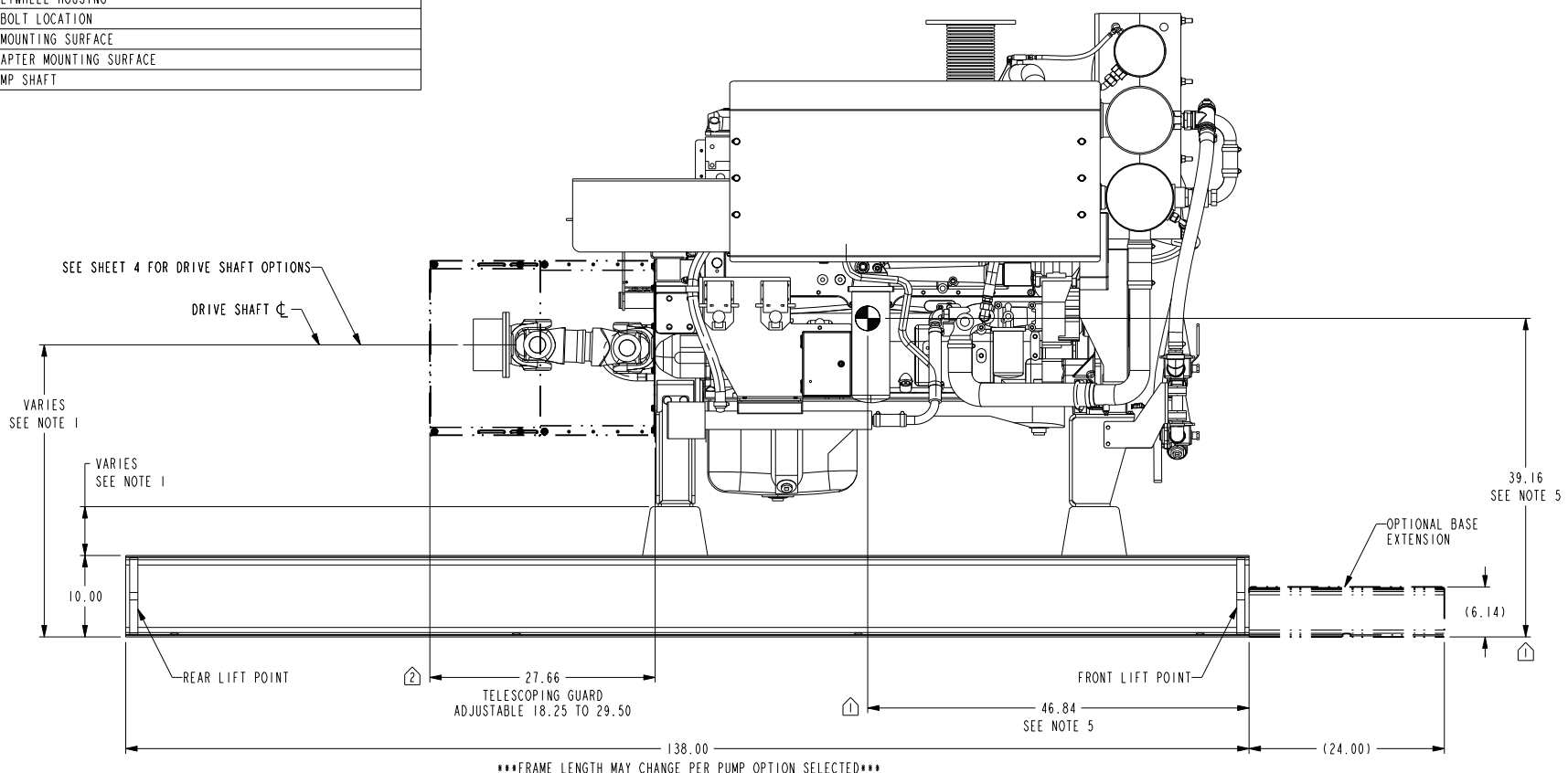
ENGINE ONLY LIFTING POINTS



- NOTES:
- ALL PLUMBING MUST BE SUPPORTED AND/OR ISOLATED SO THAT NO WEIGHT OR STRESS IS APPLIED TO ANY ENGINE COMPONENT
 - REFER TO ENGINE DATA SHEET FOR CUSTOMER CONNECTION RECOMMENDATIONS
 - DRAWING SUBJECT TO CHANGE WITH OUT NOTICE
 - CENTER OF GRAVITY LOCATION IS APPROXIMATE

| | | | | |
|---|--|-----------------------------------|---|---|
| DIMENSIONS ARE IN: INCHES 1. ARE IN: DRAWING TOLERANCES APPLY TO PRIMARY DIMENSIONS UNLESS OTHERWISE SPECIFIED F: ± 0.005 IN OR 0.127 mm M: ± 0.004 IN OR 0.102 mm H: ± 0.003 IN OR 0.076 mm K: ± 0.002 IN OR 0.051 mm R: ± 0.001 IN OR 0.025 mm S: ± 0.001 IN OR 0.025 mm T: ± 0.001 IN OR 0.025 mm U: ± 0.001 IN OR 0.025 mm V: ± 0.001 IN OR 0.025 mm W: ± 0.001 IN OR 0.025 mm X: ± 0.001 IN OR 0.025 mm Y: ± 0.001 IN OR 0.025 mm Z: ± 0.001 IN OR 0.025 mm | | DO NOT SCALE PRINT SCALE 0.100 | CMI DATA CLASSIFICATION Cummins Confidential DWN: P.B. SALM CKD: - APVD: - DATE: 12JAN2017 | Cummins Inc. ITEM NAME GENERAL ARRANGEMENT CFP15E-F10/20/30 REV 2 |
|---|--|-----------------------------------|---|---|

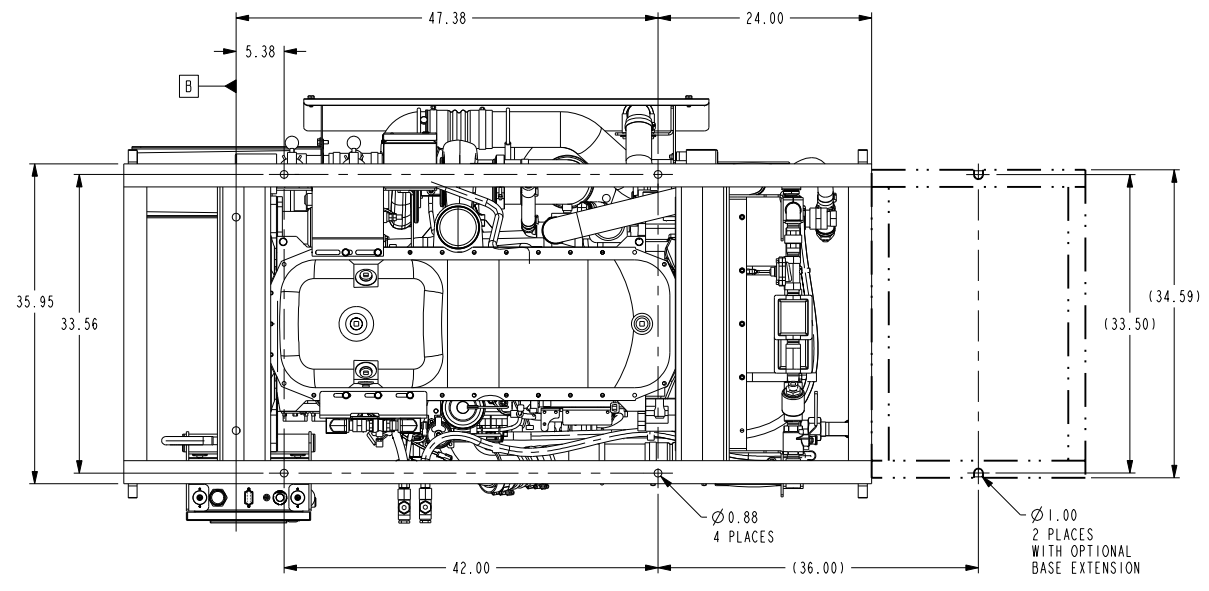
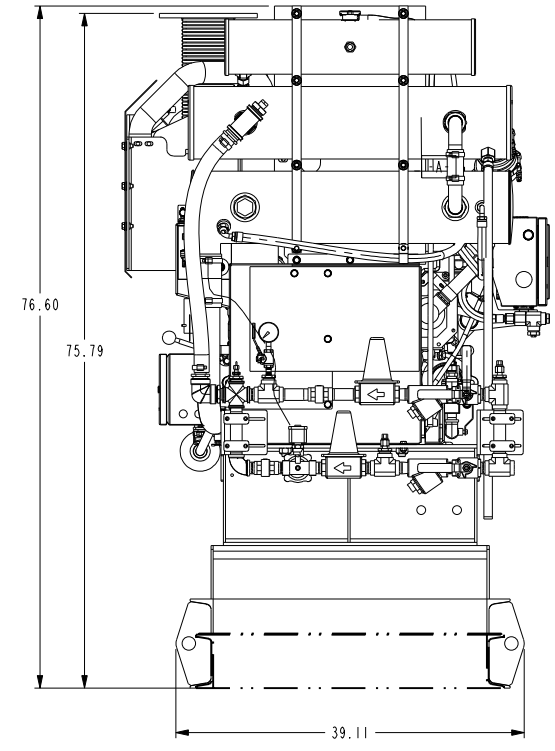
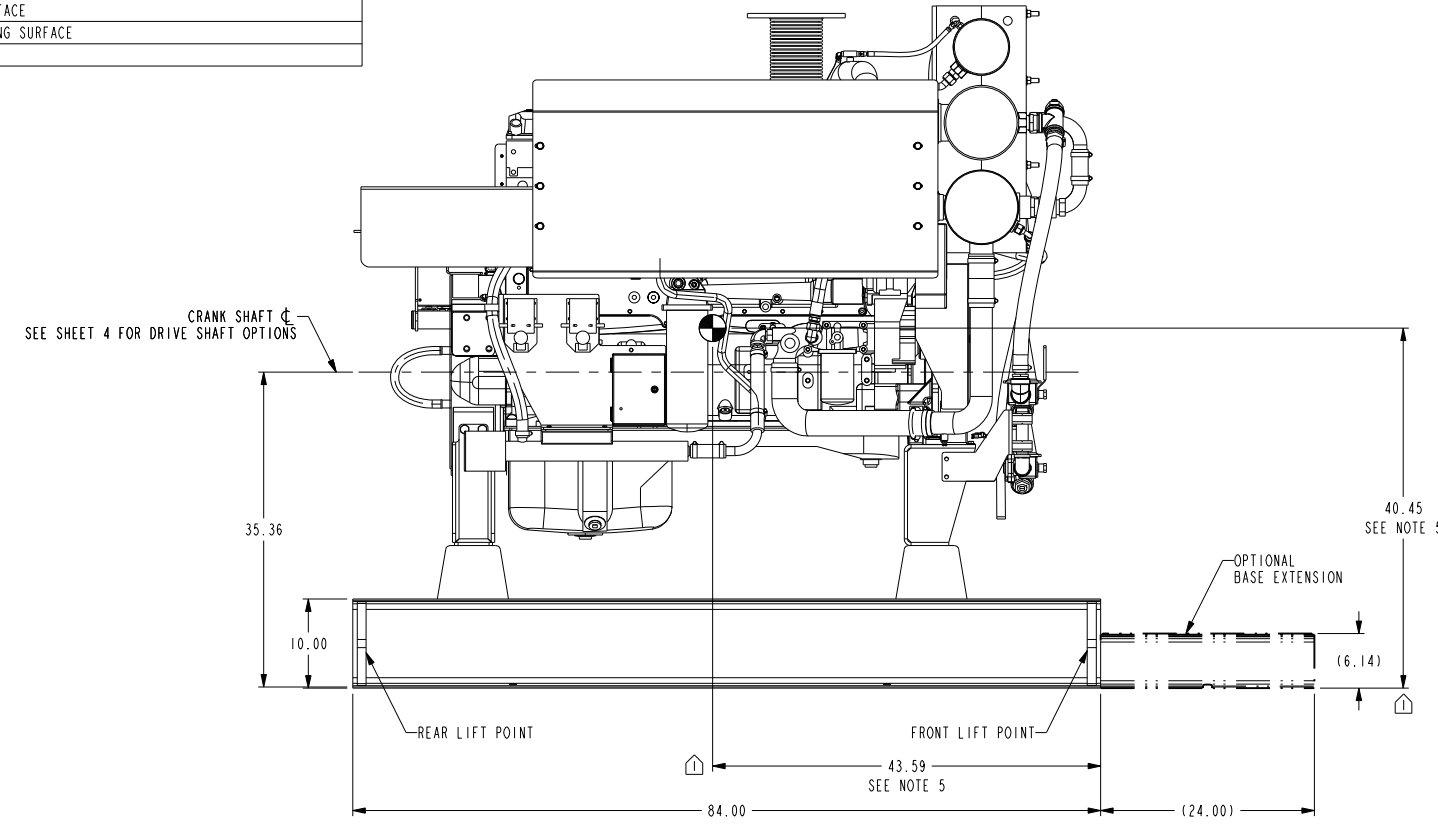
| LEGEND AND DATUM IDENTIFIER | |
|-----------------------------|--|
| SHEET 1 | INSTALLATION DRAWING |
| SHEET 2 | GENERAL ARRANGEMENT - HORIZONTAL SPLIT CASE PUMP BASE OPTION |
| SHEET 3 | GENERAL ARRANGEMENT - VERTICAL TURBINE PUMP BASE OPTION |
| SHEET 4 | DRIVE LINE OPTIONS |
| SHEET 5 | ELECTRICAL INFORMATION |
| DATUM "A" | FACE OF FLYWHEEL HOUSING |
| DATUM "B" | REAR LEG BOLT LOCATION |
| DATUM "C" | FLYWHEEL MOUNTING SURFACE |
| DATUM "D" | UJOINT ADAPTER MOUNTING SURFACE |
| DATUM "EOS" | END OF PUMP SHAFT |



- NOTES:
1. RISER HEIGHT VARIES TO ACCOMMODATE CUSTOMER SUPPLIED PUMPS
 2. REFERENCE OWNERS MANUAL FOR DRIVE SHAFT ALIGNMENT SPECS
 3. DRAWING SUBJECT TO CHANGE WITHOUT NOTICE
 4. REFERENCE SHEET 1 FOR BASE FIRE PUMP INTERFACE
 5. CENTER OF GRAVITY LOCATION IS APPROXIMATE & DOES NOT INCLUDE U-JOINT ADAPTER, DRIVE SHAFT, COMPANION FLANGE, DRIVE SHAFT GUARDS OR BASE EXTENSION

| | | | |
|--|--|---|--|
| DIMENSIONS ARE IN: INCHES 1.1 ARE IN: | DO NOT SCALE PRINT SCALE 0.100 | CMI DATA CLASSIFICATION Cummins Confidential | Cummins Inc. ITEM NAME GENERAL ARRANGEMENT CFP15E-F10/20/30 |
| DRAWING TOLERANCES APPLY TO PRIMARY DIMENSIONS UNLESS OTHERWISE SPECIFIED X: ± .10 IN OR 3 mm Y: ± .10 IN OR 3 mm Z: ± .10 IN OR 3 mm R: ± .010 IN OR 0.25 mm F: ± .010 IN OR 0.25 mm ANGULAR TOLERANCE: ± | DWN: P.B. SALM CRD: - APVD: - DATE: 12 JAN 2017 | MUST CONFORM TO CES 10903 | |

| LEGEND AND DATUM IDENTIFIER | |
|-----------------------------|--|
| SHEET 1 | INSTALLATION DRAWING |
| SHEET 2 | GENERAL ARRANGEMENT - HORIZONTAL SPLIT CASE PUMP BASE OPTION |
| SHEET 3 | GENERAL ARRANGEMENT - VERTICAL TURBINE PUMP BASE OPTION |
| SHEET 4 | DRIVE LINE OPTIONS |
| SHEET 5 | ELECTRICAL INFORMATION |
| DATUM "A" | FACE OF FLYWHEEL HOUSING |
| DATUM "B" | REAR LEG BOLT LOCATION |
| DATUM "C" | FLYWHEEL MOUNTING SURFACE |
| DATUM "D" | UJOINT ADAPTER MOUNTING SURFACE |
| DATUM "EOS" | END OF PUMP SHAFT |

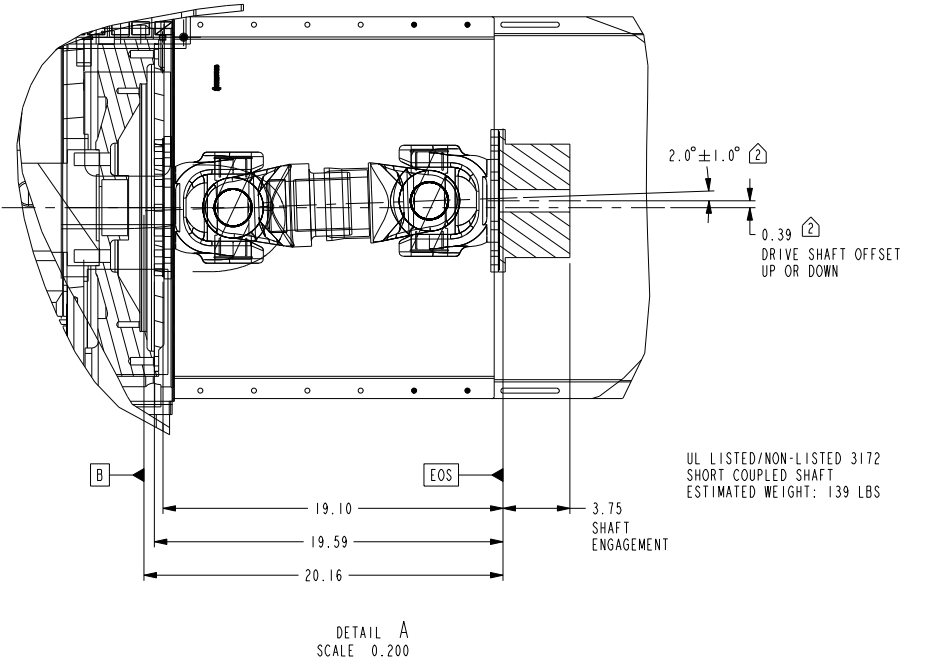
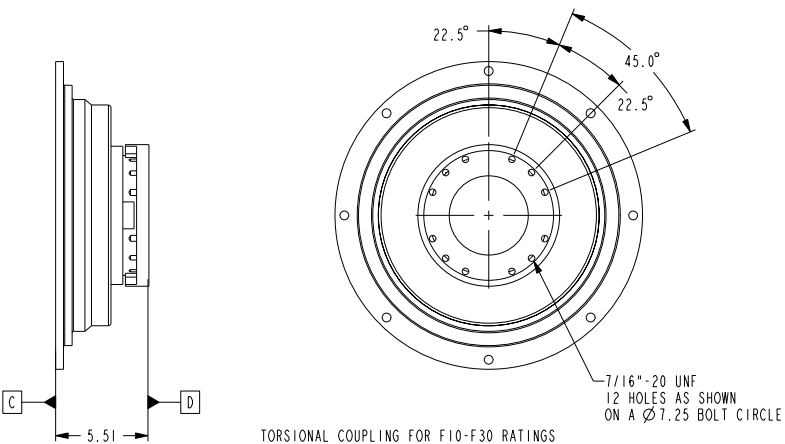
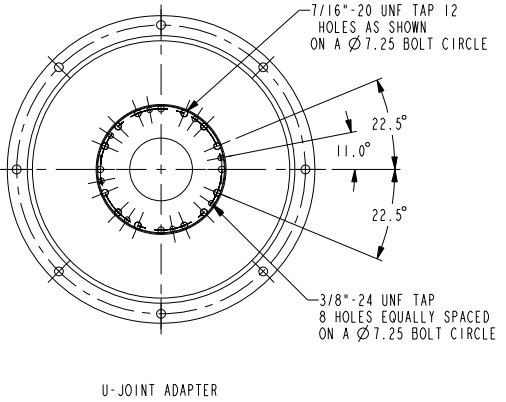
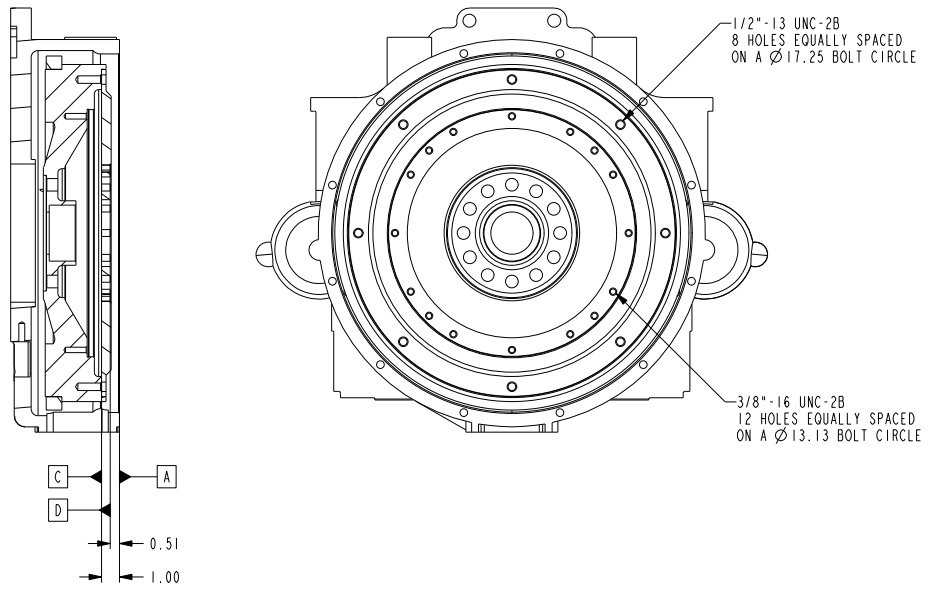
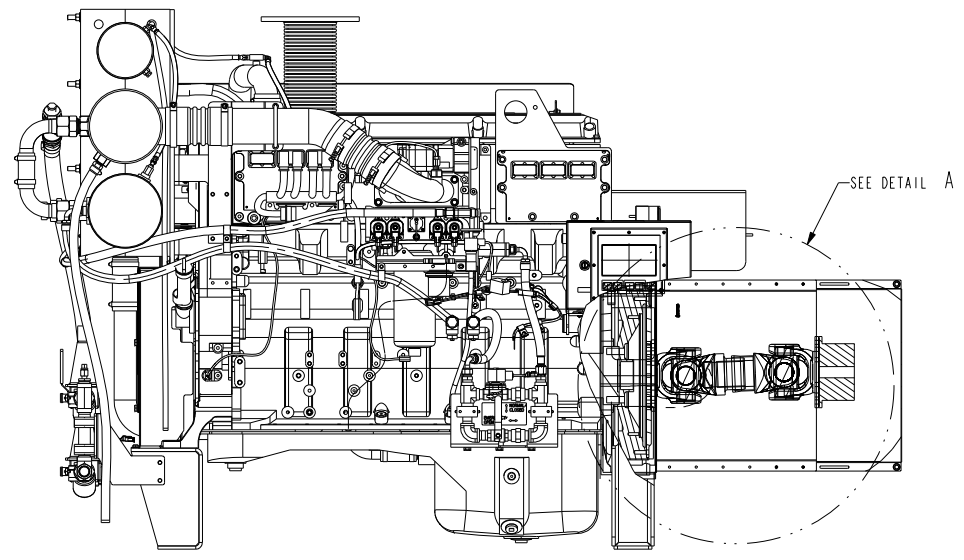
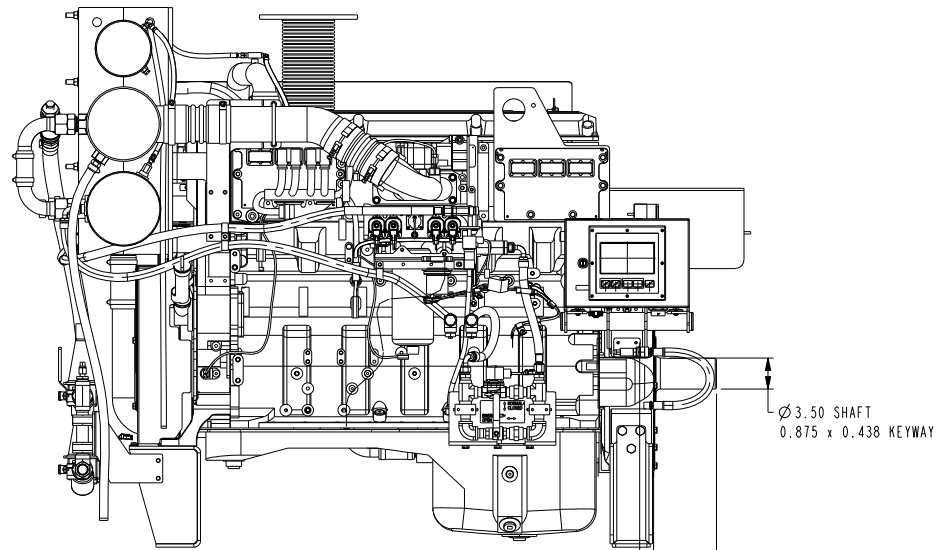


- NOTE:
1. TORSIONAL ANALYSIS REQUIRED FOR VERTICAL TURBINE INSTALLATION
 2. REFERENCE OWNERS MANUAL FOR DRIVE SHAFT ALIGNMENT SPECS
 3. DRAWING SUBJECT TO CHANGE WITHOUT NOTICE
 4. REFERENCE SHEET 1 FOR BASE FIRE PUMP INTERFACE
 5. CENTER OF GRAVITY LOCATION IS APPROXIMATE & DOES NOT INCLUDE BASE EXTENSION

| | | | |
|--|--------------------|--|---|
| DIMENSIONS ARE IN: INCHES [] ARE IN: MILLIMETERS | DO NOT SCALE PRINT | CMI DATA CLASSIFICATION Cummins Confidential | Cummins Inc. |
| DRAWING TOLERANCES APPLY TO PRIMARY DIMENSIONS UNLESS OTHERWISE SPECIFIED | SCALE 0.100 | DWN: P.B. SALM CKD: - APVD: - DATE: 12 JAN 2017 | |
| THIS DOCUMENT (AND THE INFORMATION SHOWN THEREON) IS CONFIDENTIAL AND PROPRIETARY AND SHALL NOT BE DISCLOSED TO OTHERS IN HARD COPY OR ELECTRONIC FORM, REPRODUCED BY ANY MEANS, OR USED FOR ANY PURPOSE WITHOUT WRITTEN CONSENT OF CUMMINS INC. | | | FOR INTERPRETATION OF DIMENSIONING AND TOLERANCING, SEE ASME Y14.5-2009 |
| MUST CONFORM TO CES 10903 | | CAD SHEET 3 OF 5 | ITEM NUMBER A042J661 REV 2 |

| LEGEND AND DATUM IDENTIFIER | |
|-----------------------------|--|
| SHEET 1 | INSTALLATION DRAWING |
| SHEET 2 | GENERAL ARRANGEMENT - HORIZONTAL SPLIT CASE PUMP BASE OPTION |
| SHEET 3 | GENERAL ARRANGEMENT - VERTICAL TURBINE PUMP BASE OPTION |
| SHEET 4 | DRIVE LINE OPTIONS |
| SHEET 5 | ELECTRICAL INFORMATION |
| DATUM "A" | FACE OF FLYWHEEL HOUSING |
| DATUM "B" | REAR LEG BOLT LOCATION |
| DATUM "C" | FLYWHEEL MOUNTING SURFACE |
| DATUM "D" | UJOINT ADAPTER MOUNTING SURFACE |
| DATUM "EOS" | END OF PUMP SHAFT |

| ENGINE MODEL | CFP DRIVE SHAFT MATRIX | | | | |
|--------------|------------------------------------|-----------------------|-----------------------|-----------------------|-----------------------|
| | CFP F RATINGS WITH MULTIPLE SHAFTS | | | | |
| | RPM 1470 | RPM 1760 | RPM 1900 | RPM 2100 | RPM 2250 |
| CFP15E-F10 | 3172 SHAFT | 3172 SHAFT | NON LISTED 3172 SHAFT | NON LISTED 3172 SHAFT | NON LISTED 3172 SHAFT |
| CFP15E-F20 | 3172 SHAFT | NON LISTED 3172 SHAFT | NON LISTED 3172 SHAFT | NON LISTED 3172 SHAFT | NON LISTED 3172 SHAFT |
| CFP15E-F30 | NON LISTED 3172 SHAFT | NON LISTED 3172 SHAFT | NON LISTED 3172 SHAFT | NON LISTED 3172 SHAFT | NON LISTED 3172 SHAFT |



NOTE:
1. TORSIONAL ANALYSIS REQUIRED FOR VERTICAL TURBINE INSTALLATION
2. REFERENCE OWNERS MANUAL FOR DRIVE SHAFT ALIGNMENT SPECS
3. DRAWING SUBJECT TO CHANGE WITHOUT NOTICE
4. REFERENCE SHEET 1 FOR BASE FIRE PUMP INTERFACE

| | | | |
|--|-----------------------------------|--|--|
| DIMENSIONS ARE IN: INCHES 1.1 ARE IN: DRAWING TOLERANCES APPLY TO PRIMARY DIMENSIONS UNLESS OTHERWISE SPECIFIED | DO NOT SCALE PRINT SCALE 0.100 | CMV DATA CLASSIFICATION Cummins Confidential DWN P.B. SALM CKD - APVD - DATE: 12 JAN 2017 | Cummins Inc. ITEM NAME GENERAL ARRANGEMENT CFP15E-F10/20/30 |
| THIS DOCUMENT (AND THE INFORMATION SHOWN THEREIN) IS CONFIDENTIAL AND PROPRIETARY AND SHALL NOT BE DISCLOSED TO OTHERS IN HARD COPY OR ELECTRONIC FORM, REPRODUCED BY ANY MEANS, OR USED FOR ANY PURPOSE WITHOUT WRITTEN CONSENT OF CUMMINS INC. | | FOR INTERPRETATION OF DIMENSIONING AND TOLERANCING, SEE ASME Y14.5-2009 | MUST CONFORM TO CES 10903 |
| CAD SHEET 4 OF 5 | | ITEM NUMBER A042J661 | REV 2 |

8 7 6 5 4 3 2 1

LEGEND AND DATUM IDENTIFIER

| | |
|-------------|--|
| SHEET 1 | INSTALLATION DRAWING |
| SHEET 2 | GENERAL ARRANGEMENT - HORIZONTAL SPLIT CASE PUMP BASE OPTION |
| SHEET 3 | GENERAL ARRANGEMENT - VERTICAL TURBINE PUMP BASE OPTION |
| SHEET 4 | DRIVE LINE OPTIONS |
| SHEET 5 | ELECTRICAL INFORMATION |
| DATUM "A" | FACE OF FLYWHEEL HOUSING |
| DATUM "B" | REAR LEG BOLT LOCATION |
| DATUM "C" | FLYWHEEL MOUNTING SURFACE |
| DATUM "D" | UJOINT ADAPTER MOUNTING SURFACE |
| DATUM "EOS" | END OF PUMP SHAFT |

D

D

C

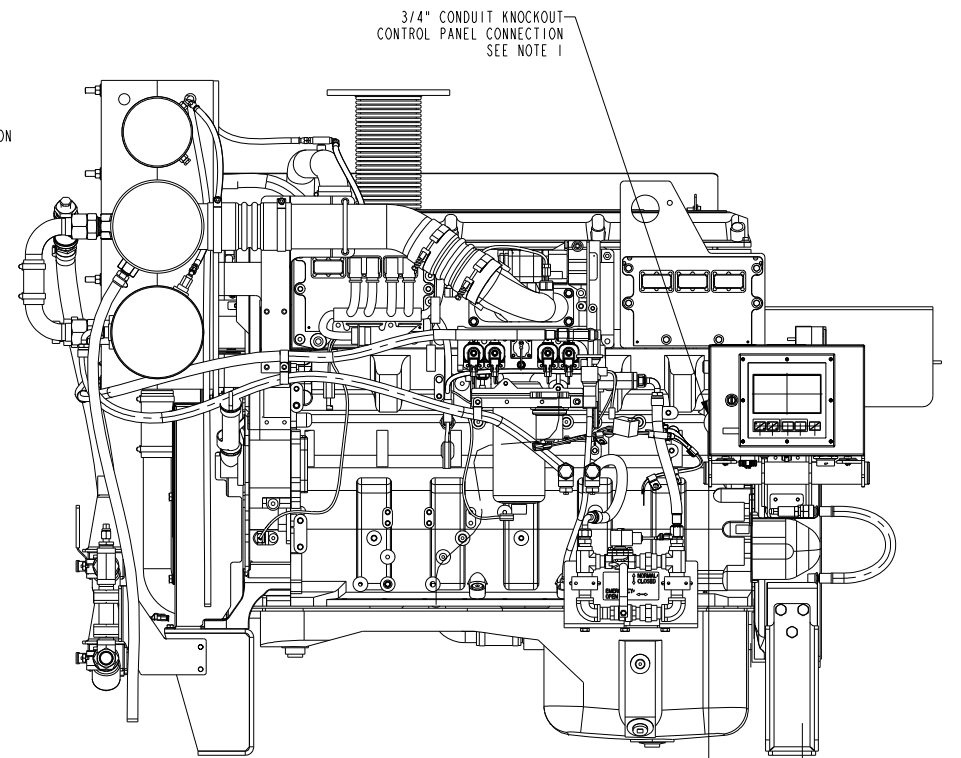
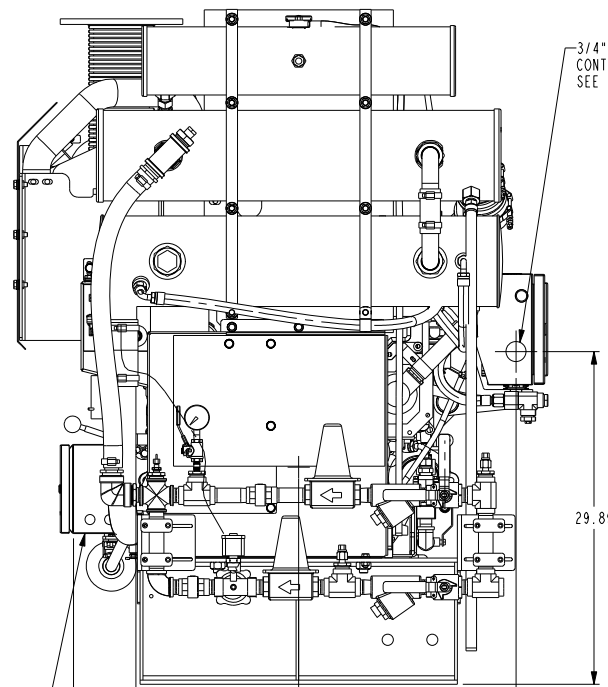
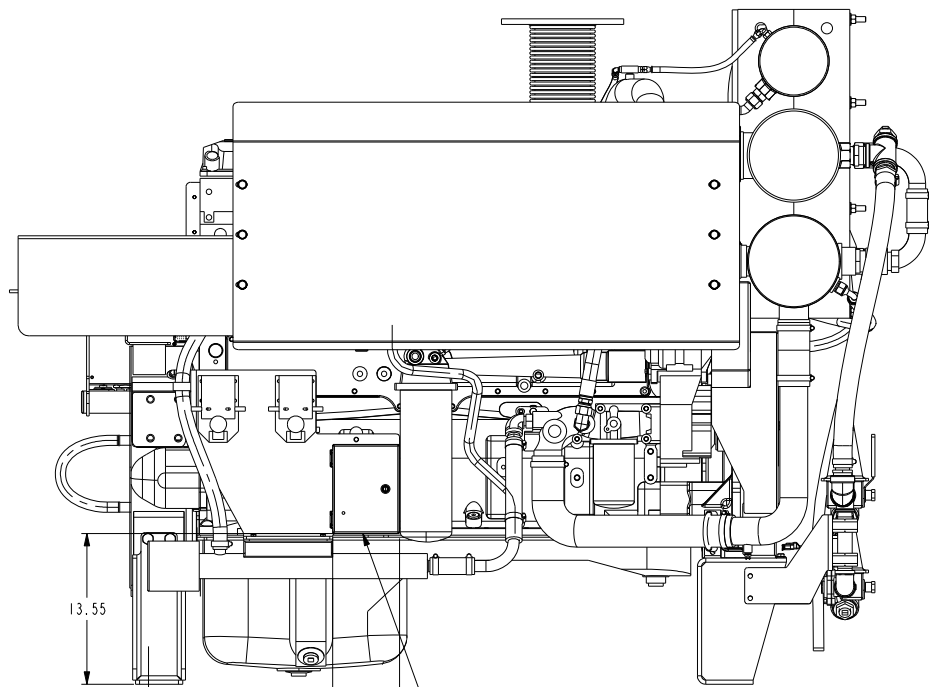
C

B

B

A

A



- NOTES:
- CONTROL PANEL TERMINAL BLOCKS
1, 2, 3, 4, 5, 9, 10, 301, 302, 303, 304, 310, 311, 312
 - BATTERY CHARGER CONNECTION BOX TERMINAL BLOCKS
6, 8, 11

| | | | | |
|---|---|--|--|--|
| DIMENSIONS ARE IN: INCHES 1.1 ARE IN: DRAWING TOLERANCES APPLY TO PRIMARY DIMENSIONS UNLESS OTHERWISE SPECIFIED | DO NOT SCALE PRINT SCALE 0.125 | CMI DATA CLASSIFICATION Cummins Confidential | | Cummins Inc. |
| <small> X: ± 0.004 mm Y: ± 0.004 mm Z: ± 0.004 mm ANGULAR TOLERANCE: ± 0.004 mm </small> | <small> DWN: P.B. SALM CKD: - APVD: - DATE: 12 JAN 2017 </small> | <small> FOR INTERPRETATION OF DIMENSIONING AND TOLERANCING, SEE ASME Y14.5-2009 </small> | | <small> MUST CONFORM TO CES 10903 </small> |
| <small> THIS DOCUMENT (AND THE INFORMATION SHOWN THEREON) IS CONFIDENTIAL AND PROPRIETARY AND SHALL NOT BE DISCLOSED TO OTHERS IN HARD COPY OR ELECTRONIC FORM, REPRODUCED BY ANY MEANS, OR USED FOR ANY PURPOSE WITHOUT WRITTEN CONSENT OF CUMMINS INC. </small> | <small> MUST CONFORM TO CES 10903 </small> | <small> CAD SHEET 5 OF 5 </small> | <small> ITEM NUMBER A042J661 </small> | <small> REV 2 </small> |

8 7 6 5 4 3 2 1