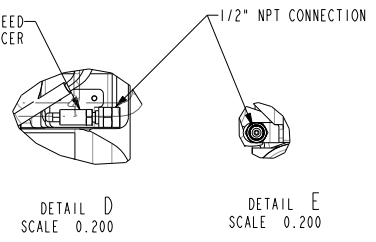
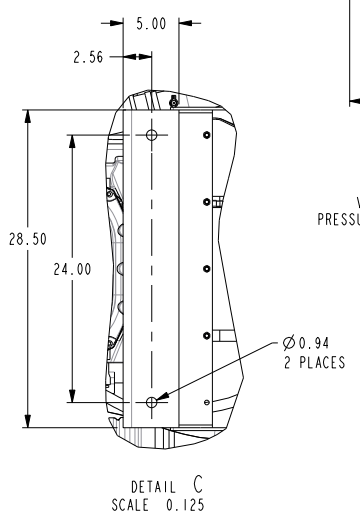
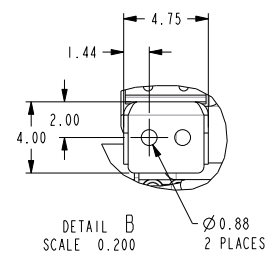
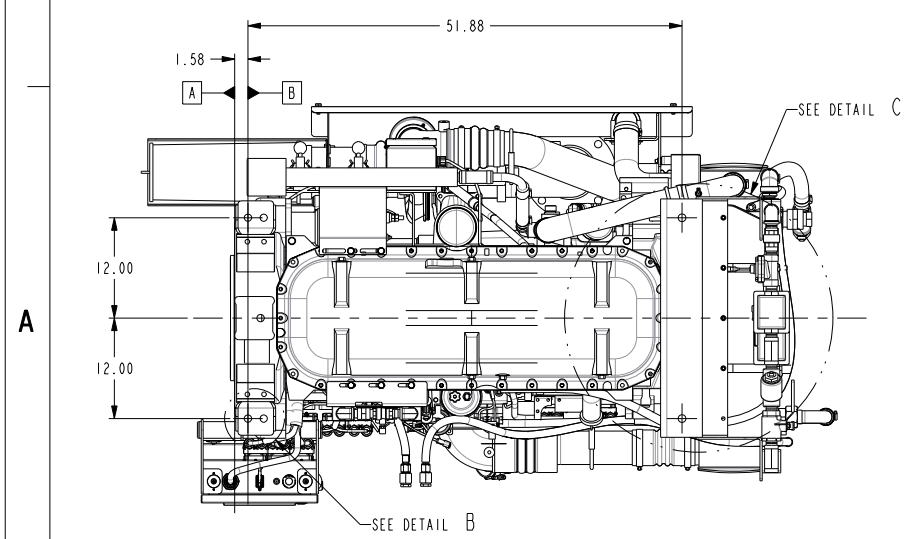
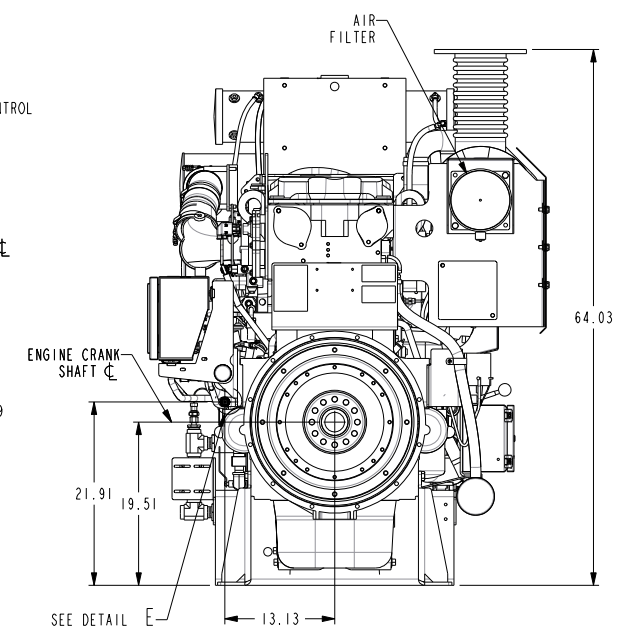
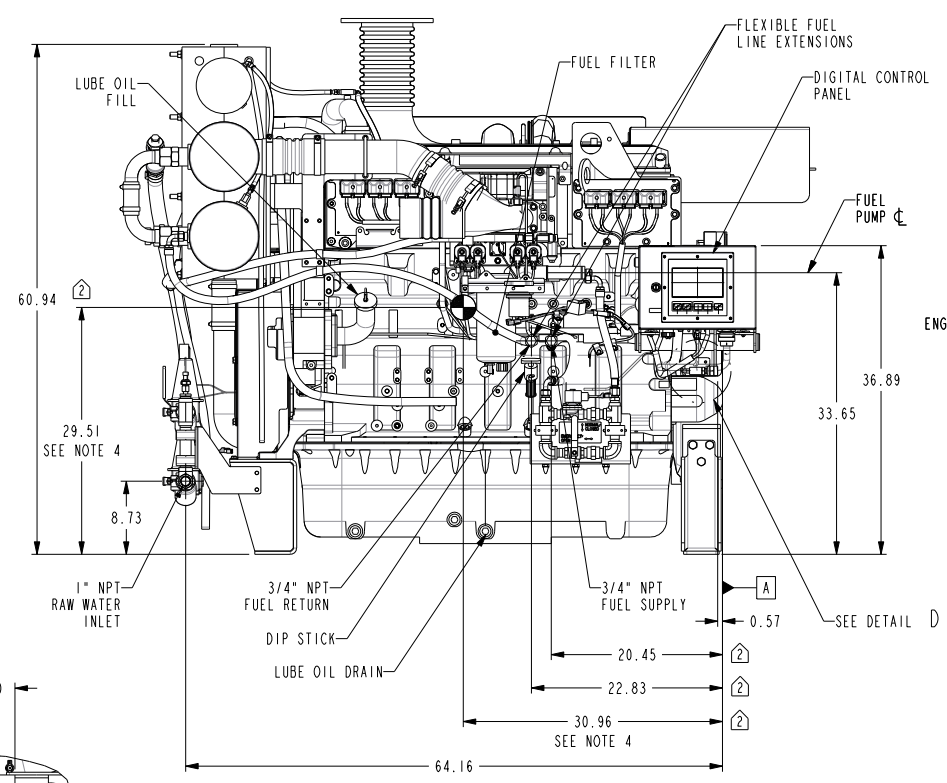
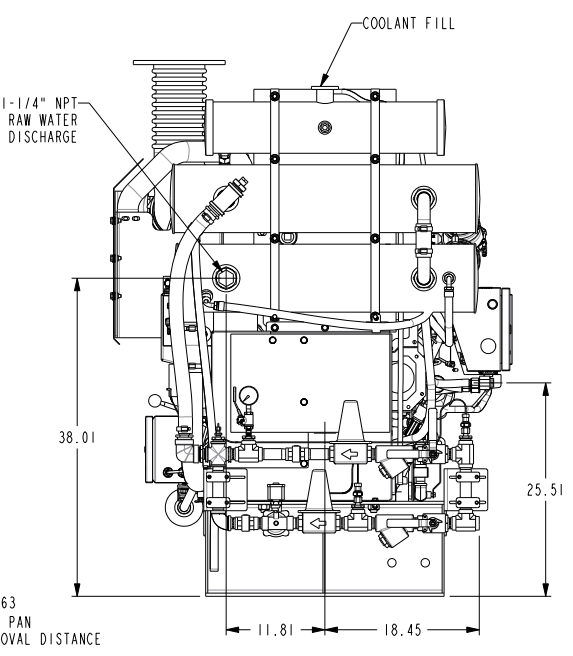
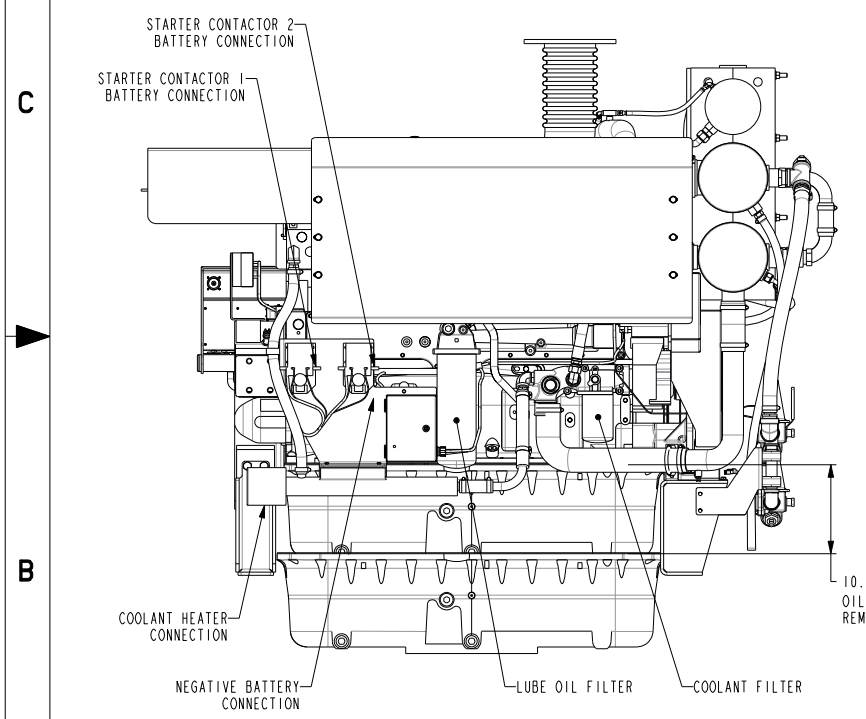
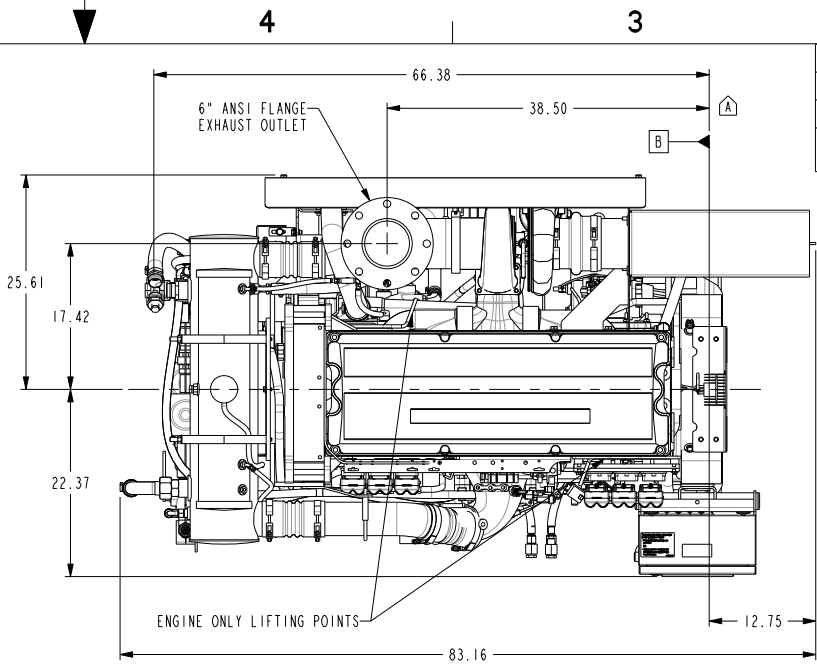


LEGEND AND DATUM IDENTIFIER	
SHEET 1	INSTALLATION DRAWING
SHEET 2	GENERAL ARRANGEMENT - HORIZONTAL SPLIT CASE PUMP BASE OPTION
SHEET 3	GENERAL ARRANGEMENT - VERTICAL TURBINE PUMP BASE OPTION
SHEET 4	DRIVE LINE OPTIONS
SHEET 5	ELECTRICAL INFORMATION
DATUM "A"	FACE OF FLYWHEEL HOUSING
DATUM "B"	REAR LEG BOLT LOCATION
DATUM "C"	FLYWHEEL MOUNTING SURFACE
DATUM "D"	UJOINT ADAPTER MOUNTING SURFACE
DATUM "EOS"	END OF PUMP SHAFT

CFPI5E CONNECTION INFORMATION	
SAE #1	FLYWHEEL HOUSING
3/4" NPT	FUEL INLET
3/4" NPT	FUEL OUTLET
1" NPT	RAW WATER INLET
1 1/4" NPT	RAW WATER DISCHARGE
120 / 240 VAC	COOLANT HEATER (3000WATTS)
6" DIA NPT, CUFF, OR FLANGE	EXHAUST CONNECTION

REV	REL NO	REVISION	DWN	CKD	APVD	DATE
-	2016-668	RELEASED TO PRODUCTION	HE392	NE627	NE627	16JAN17
A	2019-211	REPLACED EXHAUST TUBE WAS 13572	NO134	MS707	MS707	21MAY19
2	2020-021	ADDED CG DIMENSIONS & NOTES; REPLACED ECM & FUEL LINE KIT	NO134	MS707	MS707	03FEB20



- NOTES:
- ALL PLUMBING MUST BE SUPPORTED AND/OR ISOLATED SO THAT NO WEIGHT OR STRESS IS APPLIED TO ANY ENGINE COMPONENT
 - REFER TO ENGINE DATA SHEET FOR CUSTOMER CONNECTION RECOMMENDATIONS
 - DRAWING SUBJECT TO CHANGE WITH OUT NOTICE
 - CENTER OF GRAVITY LOCATION IS APPROXIMATE

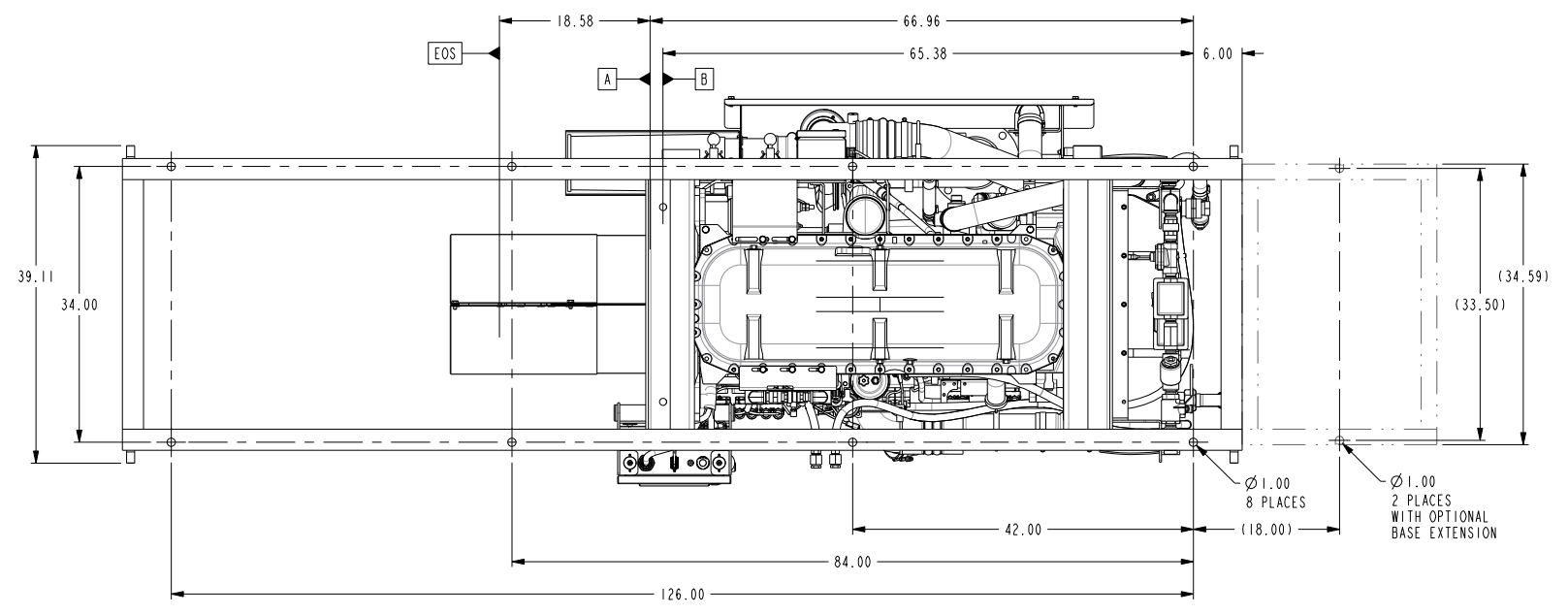
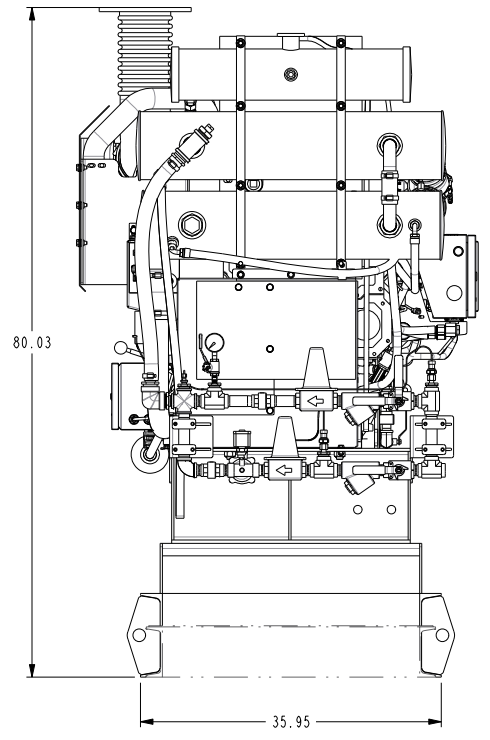
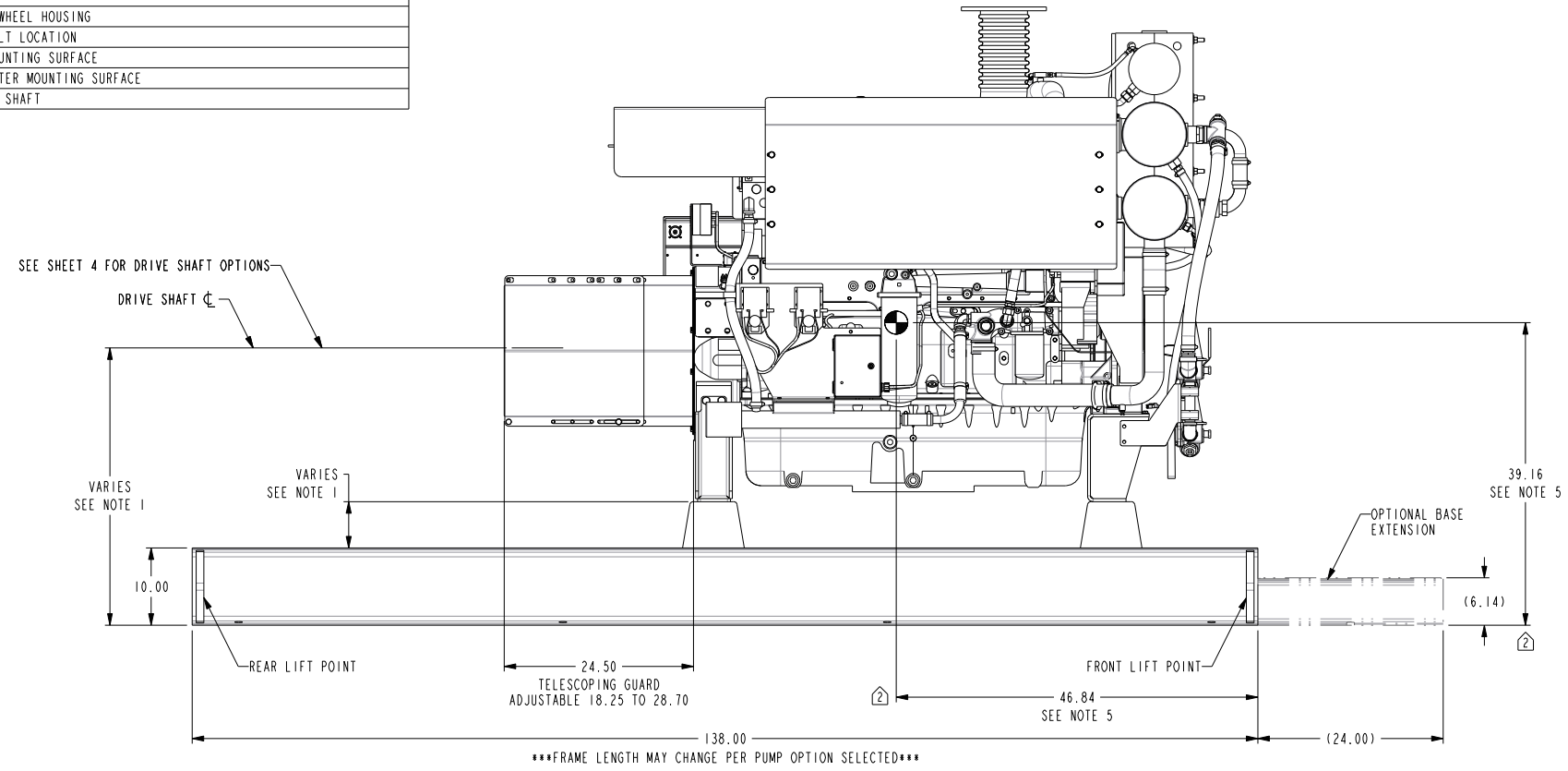
DIMENSIONS ARE IN: INCHES 1.1 ARE IN: DRAWING TOLERANCES APPLY TO PRIMARY DIMENSIONS UNLESS OTHERWISE SPECIFIED X: ± 1 IN OR 4 mm X.X: ± 1/16 IN OR 0.7 mm X.XX: ± 0.00 IN OR 0.25 mm X.XXX: ± 0.01 IN OR 0.25 mm ANGULAR TOLERANCE: ±	DO NOT SCALE PRINT SCALE 0.094	CMI DATA CLASSIFICATION Cummins Confidential DWN HE392 CKD NE627 APVD NE627 DATE 16JAN2017		Cummins Inc.	
				ITEM NAME GENERAL ARRANGEMENT CFPI5E-F70	
THIS DOCUMENT AND THE INFORMATION SHOWN THEREON IS CONFIDENTIAL AND PROPRIETARY AND SHALL NOT BE DISCLOSED TO OTHERS IN HARD COPY OR ELECTRONIC FORM, REPRODUCED BY ANY MEANS, OR USED FOR ANY PURPOSE WITHOUT WRITTEN CONSENT OF CUMMINS INC.			FOR INTERPRETATION OF DIMENSIONING AND TOLERANCING, SEE ASME Y14.5-2009		MUST CONFORM TO CES 10903
CAD SHEET 1 OF 5		ITEM NUMBER A042J662	REV 2		

8 7 6 5 4 3

2 1

LEGEND AND DATUM IDENTIFIER	
SHEET 1	INSTALLATION DRAWING
SHEET 2	GENERAL ARRANGEMENT - HORIZONTAL SPLIT CASE PUMP BASE OPTION
SHEET 3	GENERAL ARRANGEMENT - VERTICAL TURBINE PUMP BASE OPTION
SHEET 4	DRIVE LINE OPTIONS
SHEET 5	ELECTRICAL INFORMATION
DATUM "A"	FACE OF FLYWHEEL HOUSING
DATUM "B"	REAR LEG BOLT LOCATION
DATUM "C"	FLYWHEEL MOUNTING SURFACE
DATUM "D"	UJOINT ADAPTER MOUNTING SURFACE
DATUM "EOS"	END OF PUMP SHAFT

REV	REL NO	REVISION	DWN	CKD	APVD	DATE
-	2016-668	RELEASED TO PRODUCTION	HE392	NE627	NE627	16JAN17
A	2019-211	SEE SHEET 1 FOR REVISION DETAILS	NO134	MS707	MS707	21MAY19
2	2020-021	SEE SHEET 1 FOR REVISION DETAILS	NO134	MS707	MS707	03FEB20



- NOTES:
1. RISER HEIGHT VARIES TO ACCOMMODATE CUSTOMER SUPPLIED PUMPS
 2. REFERENCE OWNERS MANUAL FOR DRIVE SHAFT ALIGNMENT SPECS
 3. DRAWING SUBJECT TO CHANGE WITHOUT NOTICE
 4. REFERENCE SHEET 1 FOR BASE FIRE PUMP INTERFACE
 5. CENTER OF GRAVITY LOCATION IS APPROXIMATE & DOES NOT INCLUDE U-JOINT ADAPTER, DRIVE SHAFT, COMPANION FLANGE, DRIVE SHAFT GUARDS OR BASE EXTENSION

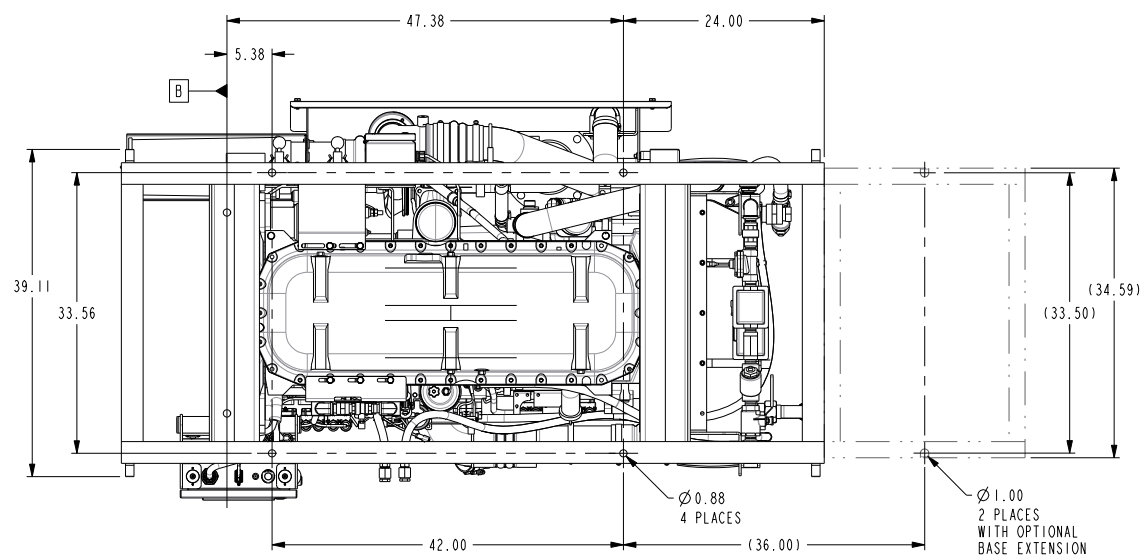
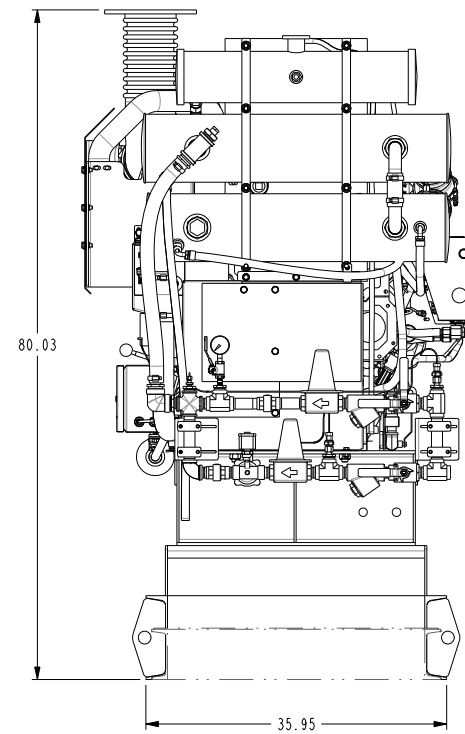
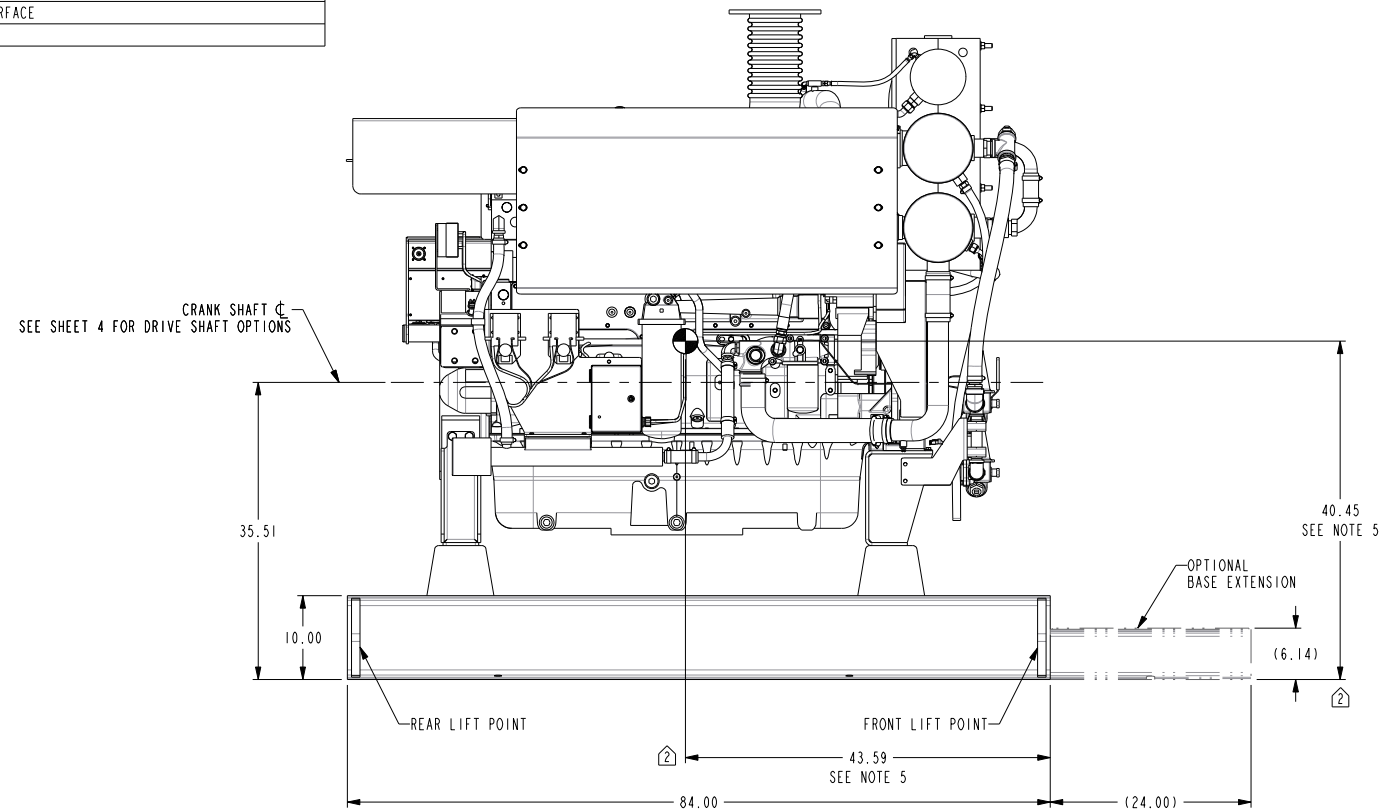
<small>DIMENSIONS ARE IN: INCHES 1:1 ARE IN: DRAWING TOLERANCES APPLY TO PRIMARY DIMENSIONS UNLESS OTHERWISE SPECIFIED</small>	<small>DO NOT SCALE PRINT SCALE 0.094</small>	<small>CM1 DATA CLASSIFICATION Cummins Confidential</small>		Cummins Inc.	
				ITEM NAME GENERAL, ARRANGEMENT CF15E-F70	
<small>THIS DOCUMENT AND THE INFORMATION SHOWN HEREON IS CONFIDENTIAL AND PROPRIETARY AND SHALL NOT BE DISCLOSED TO OTHERS IN HARD COPY OR ELECTRONIC FORM, REPRODUCED BY ANY MEANS, OR USED FOR ANY PURPOSE WITHOUT WRITTEN CONSENT OF CUMMINS INC.</small>	<small>FOR INTERPRETATION OF DIMENSIONING AND TOLERANCING, SEE ASME Y14.5-2009</small>	<small>MUST CONFORM TO CES 10903</small>	<small>CAD SHEET</small>	<small>ITEM NUMBER</small>	<small>REV</small>

8 7 6 5 4 3

2 1

LEGEND AND DATUM IDENTIFIER	
SHEET 1	INSTALLATION DRAWING
SHEET 2	GENERAL ARRANGEMENT - HORIZONTAL SPLIT CASE PUMP BASE OPTION
SHEET 3	GENERAL ARRANGEMENT - VERTICAL TURBINE PUMP BASE OPTION
SHEET 4	DRIVE LINE OPTIONS
SHEET 5	ELECTRICAL INFORMATION
DATUM "A"	FACE OF FLYWHEEL HOUSING
DATUM "B"	REAR LEG BOLT LOCATION
DATUM "C"	FLYWHEEL MOUNTING SURFACE
DATUM "D"	UJOINT ADAPTER MOUNTING SURFACE
DATUM "EOS"	END OF PUMP SHAFT

REV	REL NO	REVISION	DWN	CKD	APVD	DATE
-	2016-668	RELEASED TO PRODUCTION	HE392	NE627	NE627	16JAN17
A	2019-211	SEE SHEET 1 FOR REVISION DETAILS	NO134	MS707	MS707	21MAY19
2	2020-021	SEE SHEET 1 FOR REVISION DETAILS	NO134	MS707	MS707	03FEB20



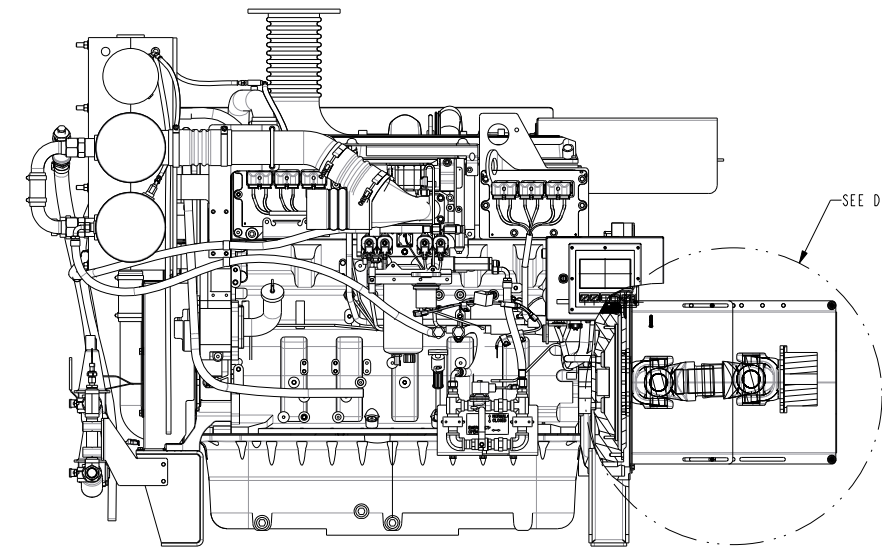
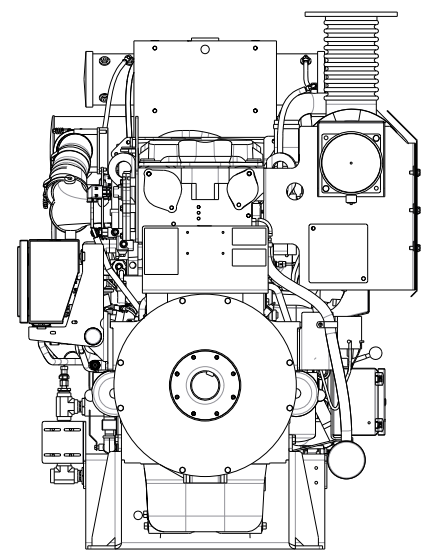
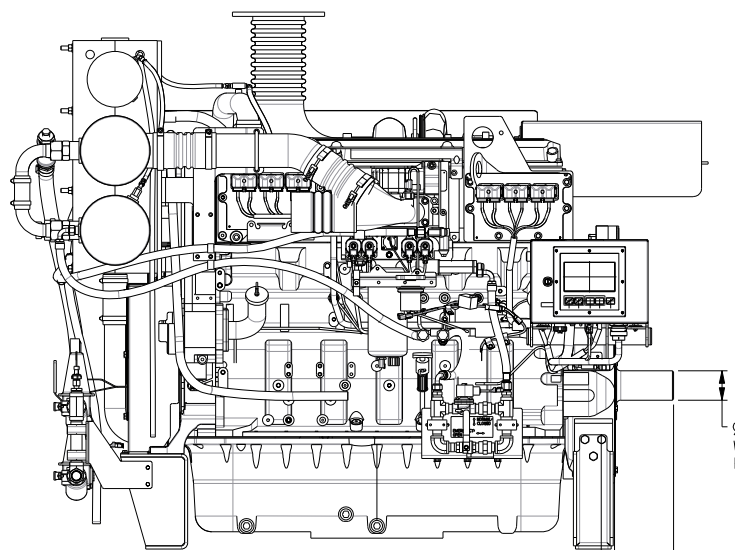
- NOTE:
- TORSIONAL ANALYSIS REQUIRED FOR VERTICAL TURBINE INSTALLATION
 - REFERENCE OWNERS MANUAL FOR DRIVE SHAFT ALIGNMENT SPECS
 - DRAWING SUBJECT TO CHANGE WITHOUT NOTICE
 - REFERENCE SHEET 1 FOR BASE FIRE PUMP INTERFACE
 - CENTER OF GRAVITY LOCATION IS APPROXIMATE & DOES NOT INCLUDE BASE EXTENSION

DIMENSIONS ARE IN: INCHES [] ARE IN: DRAWING TOLERANCES APPLY TO PRIMARY DIMENSIONS UNLESS OTHERWISE SPECIFIED	DO NOT SCALE PRINT SCALE: 0.094	CM1 DATA CLASSIFICATION Cummins Confidential		Cummins Inc.	
X: ± 1 IN OR 4 mm X.2: ± 1 IN OR 0.7 mm X.12: ± 0.00 IN OR 0.25 mm X.125: ± 0.01 IN OR 0.25 mm ANGULAR TOLERANCE: ±		DWN: HE392 CKD: NE627 APVD: NE627 DATE: 16JAN2017		ITEM NAME GENERAL, ARRANGEMENT CFPI5E-F70	CAD SHEET 3 OF 5
THIS DOCUMENT AND THE INFORMATION SHOWN HEREON IS CONFIDENTIAL AND PROPRIETARY AND SHALL NOT BE DISCLOSED TO OTHERS IN HARD COPY OR ELECTRONIC FORM, REPRODUCED BY ANY MEANS, OR USED FOR ANY PURPOSE WITHOUT WRITTEN CONSENT OF CUMMINS INC.			FOR INTERPRETATION OF DIMENSIONING AND TOLERANCING, SEE ASME Y14.5-2009	MUST CONFORM TO CES 10903	REV 2

LEGEND AND DATUM IDENTIFIER	
SHEET 1	INSTALLATION DRAWING
SHEET 2	GENERAL ARRANGEMENT - HORIZONTAL SPLIT CASE PUMP BASE OPTION
SHEET 3	GENERAL ARRANGEMENT - VERTICAL TURBINE PUMP BASE OPTION
SHEET 4	DRIVE LINE OPTIONS
SHEET 5	ELECTRICAL INFORMATION
DATUM "A"	FACE OF FLYWHEEL HOUSING
DATUM "B"	REAR LEG BOLT LOCATION
DATUM "C"	FLYWHEEL MOUNTING SURFACE
DATUM "D"	UJOINT ADAPTER MOUNTING SURFACE
DATUM "EOS"	END OF PUMP SHAFT

CFP DRIVE SHAFT MATRIX	
CFP F RATINGS WITH MULTIPLE SHAFTS	
ENGINE MODEL	RPM
CFP15E-F70	NON LISTED 3172 SHAFT

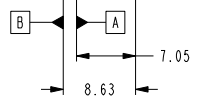
REV	REL NO	REVISION	DWN	CKD	APVD	DATE
-	2016-668	RELEASED TO PRODUCTION	HE392	NE627	NE627	16JAN17
A	2019-211	SEE SHEET 1 FOR REVISION DETAILS	NO134	MS707	MS707	21MAY19
2	2020-021	SEE SHEET 1 FOR REVISION DETAILS	NO134	MS707	MS707	03FEB20



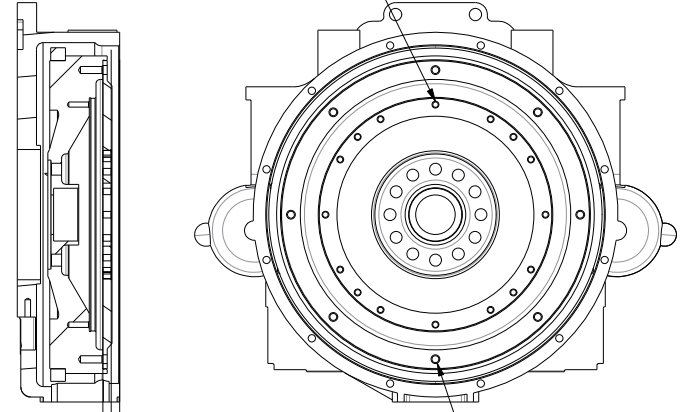
SECTION A-A

SEE DETAIL A

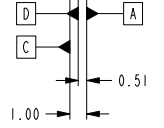
Ø 3.50 STUB SHAFT
WITH 0.875 x 0.438
KEYWAY



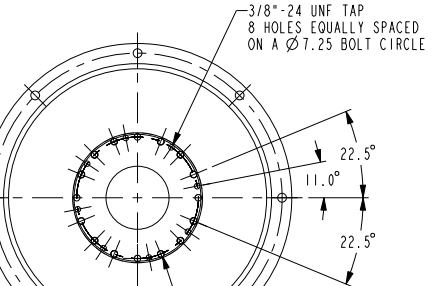
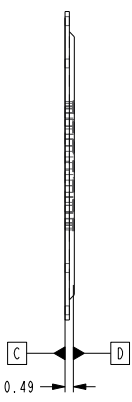
3/8"-16 UNC TAP
12 HOLES EQUALLY SPACED
ON A Ø13.13 BOLT CIRCLE



1/2"-13 UNC TAP
8 HOLES EQUALLY SPACED
ON A Ø17.25 BOLT CIRCLE

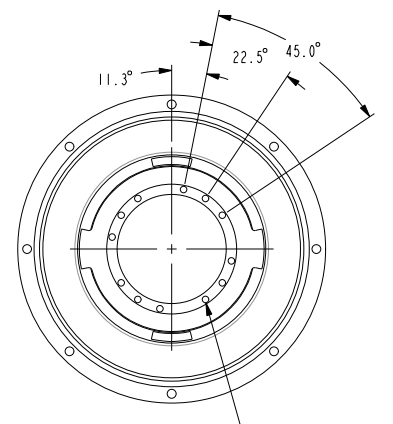
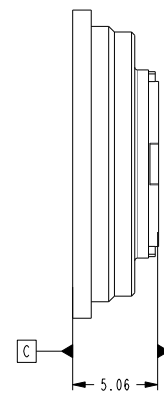


SECTION A-A



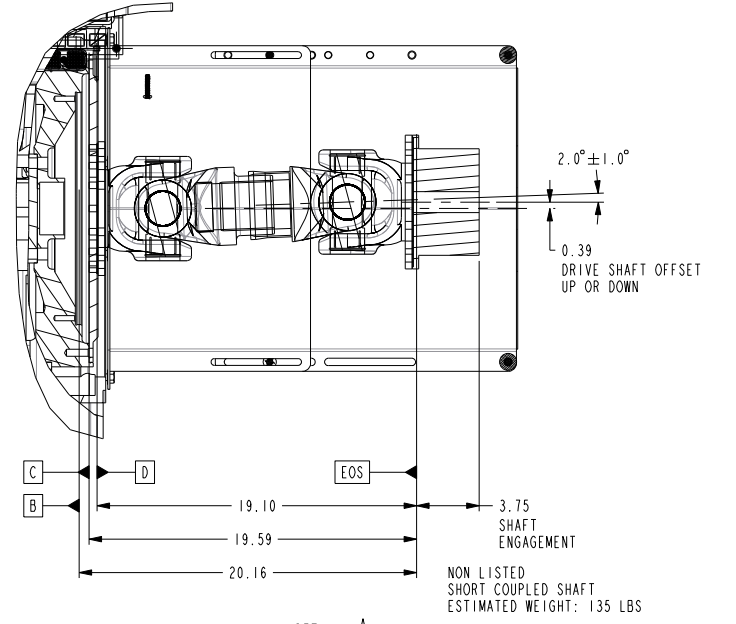
7/16"-20 UNF TAP
12 HOLES AS SHOWN
ON A Ø7.25 BOLT CIRCLE

U-JOINT ADAPTER



TORSIONAL COUPLING

7/16"-20 UNF TAP
12 HOLES AS SHOWN
ON A Ø7.25 BOLT CIRCLE



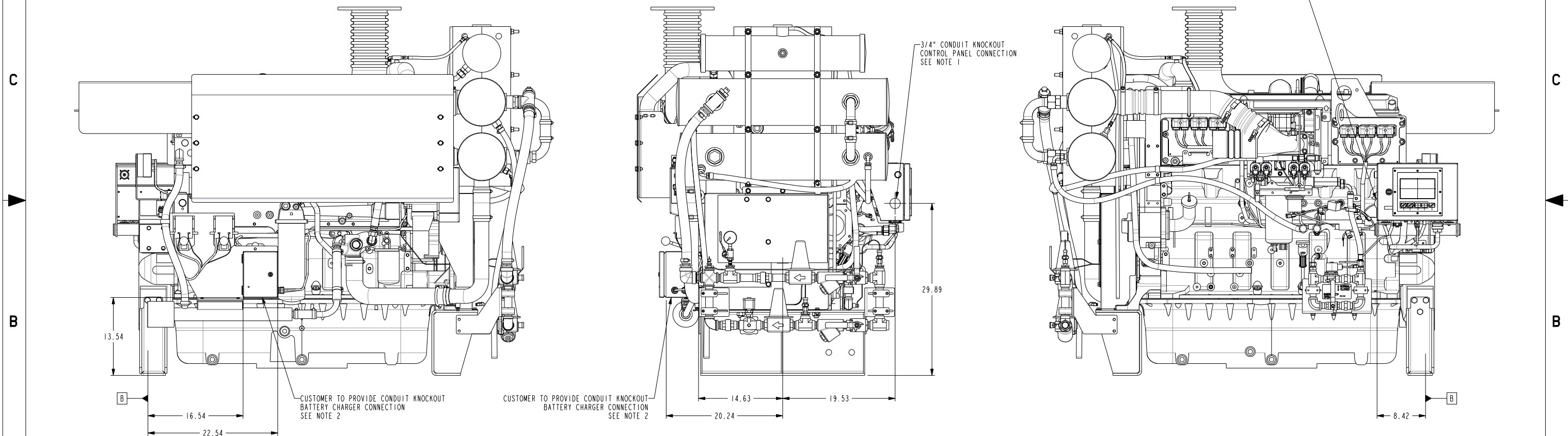
DETAIL A
SCALE 0.188

- NOTE:
1. TORSIONAL ANALYSIS REQUIRED FOR VERTICAL TURBINE INSTALLATION
 2. REFERENCE OWNERS MANUAL FOR DRIVE SHAFT ALIGNMENT SPECS
 3. DRAWING SUBJECT TO CHANGE WITHOUT NOTICE.
 4. REFERENCE SHEET 1 FOR BASE FIRE PUMP INTERFACE

DIMENSIONS ARE IN: INCHES () ARE IN:	DO NOT SCALE PRINT SCALE 0.094	CMI DATA CLASSIFICATION Cummins Confidential		Cummins Inc.	
				DWN HE392 CKD NE627 APVD NE627 DATE 16JAN2017	ITEM NAME GENERAL, ARRANGEMENT CFP15E-F70
THIS DOCUMENT AND THE INFORMATION SHOWN THEREON IS CONFIDENTIAL AND PROPRIETARY AND SHALL NOT BE DISCLOSED TO OTHERS IN HARD COPY OR ELECTRONIC FORM, REPRODUCED BY ANY MEANS, OR USED FOR ANY PURPOSE WITHOUT WRITTEN CONSENT OF CUMMINS INC.	FOR INTERPRETATION OF DIMENSIONING AND TOLERANCING, SEE ASME Y14.5-2009	MUST CONFORM TO CES 10903	CAD SHEET 4 OF 5	ITEM NUMBER A042J662	REV 2

LEGEND AND DATUM IDENTIFIER	
SHEET 1	INSTALLATION DRAWING
SHEET 2	GENERAL ARRANGEMENT - HORIZONTAL SPLIT CASE PUMP BASE OPTION
SHEET 3	GENERAL ARRANGEMENT - VERTICAL TURBINE PUMP BASE OPTION
SHEET 4	DRIVE LINE OPTIONS
SHEET 5	ELECTRICAL INFORMATION
DATUM "A"	FACE OF FLYWHEEL HOUSING
DATUM "B"	REAR LEG BOLT LOCATION
DATUM "C"	FLYWHEEL MOUNTING SURFACE
DATUM "D"	UJOINT ADAPTER MOUNTING SURFACE
DATUM "EOS"	END OF PUMP SHAFT

REV	REL NO	REVISION	DWN	CKD	APVD	DATE
-	2016-668	RELEASED TO PRODUCTION	HE392	NE627	NE627	16JAN17
A	2019-211	SEE SHEET 1 FOR REVISION DETAILS	NO134	MS707	MS707	21MAY19
2	2020-021	SEE SHEET 1 FOR REVISION DETAILS	NO134	MS707	MS707	03FEB20



- NOTES:
- CONTROL PANEL TERMINAL BLOCKS
1, 2, 3, 4, 5, 9, 10, 301, 302, 303, 304, 310, 311, 312
 - BATTERY CHARGER CONNECTION BOX TERMINAL BLOCKS
6, 8, 11

DIMENSIONS ARE IN: INCHES [] ARE IN:	DO NOT SCALE PRINT SCALE 0.125	CMI DATA CLASSIFICATION Cummins Confidential		Cummins Inc.	
DRAWING TOLERANCES APPLY TO PRIMARY DIMENSIONS UNLESS OTHERWISE SPECIFIED X: ± 1 IN OR 4 mm X.I: ± 1 IN OR 0.1 mm X.IX: ± 0.00 IN OR 0.25 mm X.IIX: ± 0.01 IN OR 0.25 mm ANGULAR TOLERANCE: ±		FOR INTERPRETATION OF DIMENSIONING AND TOLERANCING, SEE ASME Y14.5-2009		ITEM NAME GENERAL, ARRANGEMENT CFP15E-F70	CAD SHEET 5 OF 5
THIS DOCUMENT AND THE INFORMATION SHOWN HEREON IS CONFIDENTIAL AND PROPRIETARY AND SHALL NOT BE DISCLOSED TO OTHERS IN HARD COPY OR ELECTRONIC FORM, REPRODUCED BY ANY MEANS, OR USED FOR ANY PURPOSE WITHOUT WRITTEN CONSENT OF CUMMINS INC.			MUST CONFORM TO CES 10903	REV 2	