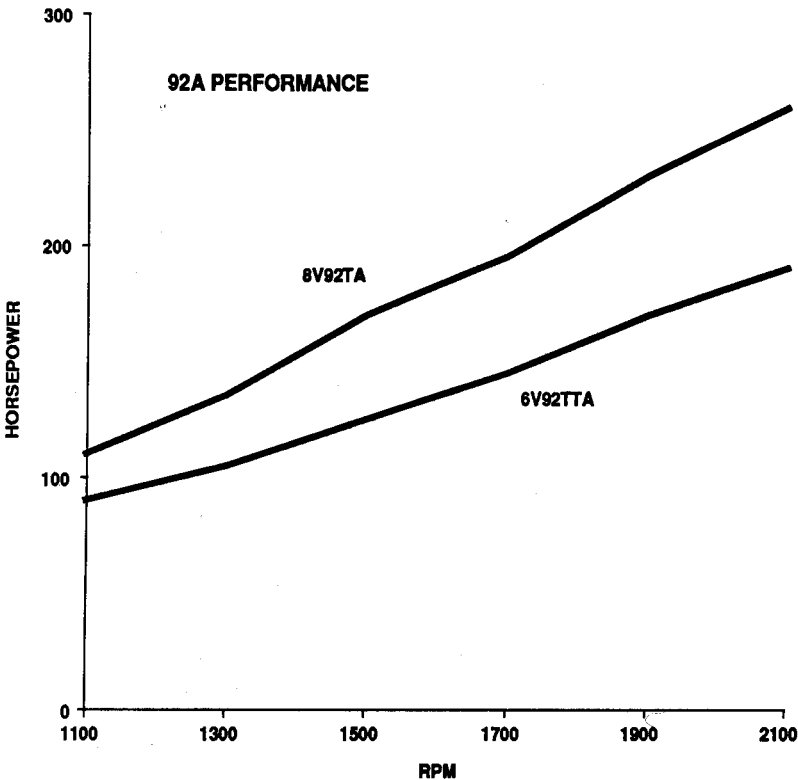
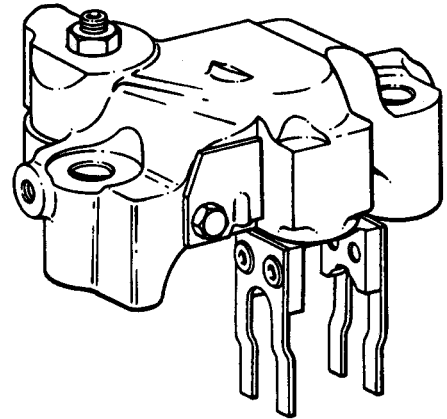


MODELS 71A and 92A

JAKE BRAKE®
FOR DDC 71 AND 92 ENGINES



- Available for all DDC 71 and 92 engines with four valve cyl. head configuration
- Adaptable to DDEC and standard fuel system controls
- Proven *Jake Brake* technology
- Common components with other *Jake Brake* models for easy serviceability



Retarding HP varies by Engine Type and Brake Model				
RPM	6V		8V	
	71A	92A	71A	92A
1100	75	90	100	110
1300	95	105	125	135
1500	110	125	150	170
1700	130	145	180	185
1900	155	170	220	230
2100	180	190	260	260

All horsepowers listed at SAE standard atmospheric conditions.

**JACOBS® MODELS 71A AND 92A
ENGINE BRAKES
FOR DDC ENGINES**



ENGINE BRAKE MODELS 71A AND 92A	6V		8V	
	in.	mm	in.	mm
Overall Dimensions of Basic Engine Brake Housing				
Height	2.5	64	2.5	64
Length	5.1	130	5.1	130
Width	4.4	111	4.4	111
Added Engine Height (Valve Cover Spacers)¹	0.9	23	0.9	23
Weight of Standard Engine Brake Kit	lbs.	kg	lbs.	kg
Shipping Weight	40	18	48	22
Added Vehicle Weight ²	33	15	39	18
Number of Housings per Kit	2 Supply, 4 Drone		4 Supply, 4 Drone	

¹ Added height refers to overall vertical increase.

² Because some engine brake components replace standard engine parts, added Vehicle Weight does not necessarily equal weight of pre-installed Jacobs Engine Brake.

Torque Specifications

Part Name	Torque	Part Name	Torque
Exhaust Valve Bridge Adjusting Screw Locknut	22 lbft. (30 N•m)	Slave Piston Adjusting Screw Locknut	18 lbft. (24 N•m)
Fuel Pipe Nuts (Jacobs)	10 lbft. (13 N•m)	Rocker Cover Hold-down Bolts	20 lbft. (27 N•m)
Fuel Pipe Nuts (DDEC)	140 lbin. (16 N•m)	Solenoid Valve	60 lbin. (7 N•m)
Injector Clamp Bolt	22 lbft. (30 N•m)		
Engine Brake Hold-down Bolt	90 lbft. (120 N•m)		

Engine Brake Application and Adjustment

Engine	Engine Brake Model	Slave Piston Lash Adjustment	Slave Piston Adjusting Tool P/N
71	71A	.059 in. (1.50 mm)	7959
92	92A	.059 in. (1.50 mm)	7959

J*, Jacobs®, Jake Brake® and Auto-Lash® are registered trademarks of Jacobs Vehicle Equipment Company. Jake is a Marc. Reg. in Mexico.