

# Models 760/760A/765

The Model 760A and 765 Jake Brake® engine retarders are designed and approved for use on Detroit Diesel® Series 60® engines. For specific engine application information, refer to the Model 760/760A/765 Installation Manual, P/N 014328. The Model 760A replaces the former Model 760. Information in this manual was current at the time of printing and is subject to change without notice or liability.

Refer to the Installation Manual, Jacobs Service Letters and instructional literature for specific application information.

# PARTS MANUAL

# Model 760, 760A and 765 Housing Assemblies

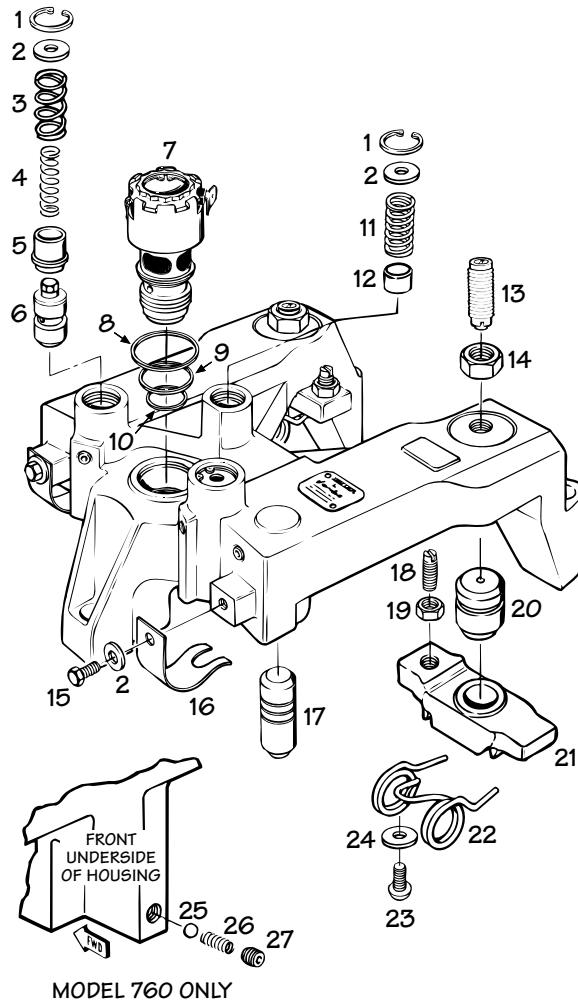
Engine Brake Model	Packaged Hsg. P/N	Description
765	021121	Housing assembly, 12 VDC, S/L
765	021122	Housing assembly, 24 VDC, S/L
760A	021131	Housing assembly, 12 VDC, S/L
760A	021132	Housing assembly, 24 VDC, S/L

Ill. No.	Part No.	Part Name	Qty./Hsg.
1	012991	Retaining ring	3
2	016505	Washer	5
3	001519	Stop spring	2
4	019504	Spring	2
5	016557	Collar	2
6	011930	Control valve	2
7	020239	Solenoid valve, 12 V, single lead	1
7	020236	Solenoid valve, 24 V, single lead	1
8	020229	Upper seal ring	1
9	001082	Center seal ring	1
10	001083	Lower seal ring	1
11	012990	Spring	1
12	012983	Accumulator piston	1
13	020382	POWER-LASH® assembly	2
14	011395	Hex nut	2
15	001492	Screw	2
16	017658	Flat spring, <b>760A/765</b>	2
16	016535	Flat spring, <b>760</b>	2
17	017565	Master piston, <b>765</b>	2
17	012981	Master piston, <b>760/760A</b>	2
18	011426	Adjusting screw	2
19	016766	Hex nut	2
20	017048	Slave piston	2
21	016771	Bridge*	2
22	019576	Torsion spring	2
23	019740	Buttonhead screw, <b>760A/765</b>	2
23	012996	Buttonhead screw, <b>760</b>	2
24	019741	Washer, <b>760A/765</b>	2

\* Use P/N 016884 Bridge for Model 760 with S/N below E-24052.

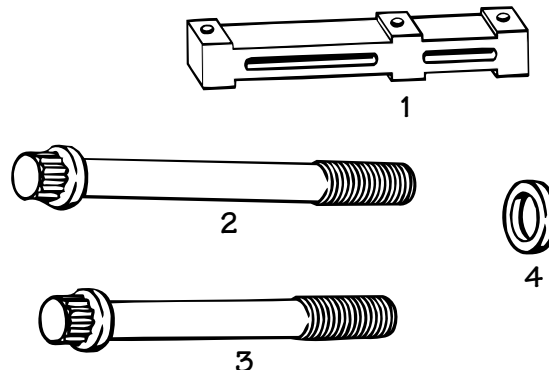
### Model 760 Only

25	001021	Ball	1
26	011720	Ball check spring	1
27	008888	Pipe plug	1



## Attaching Parts

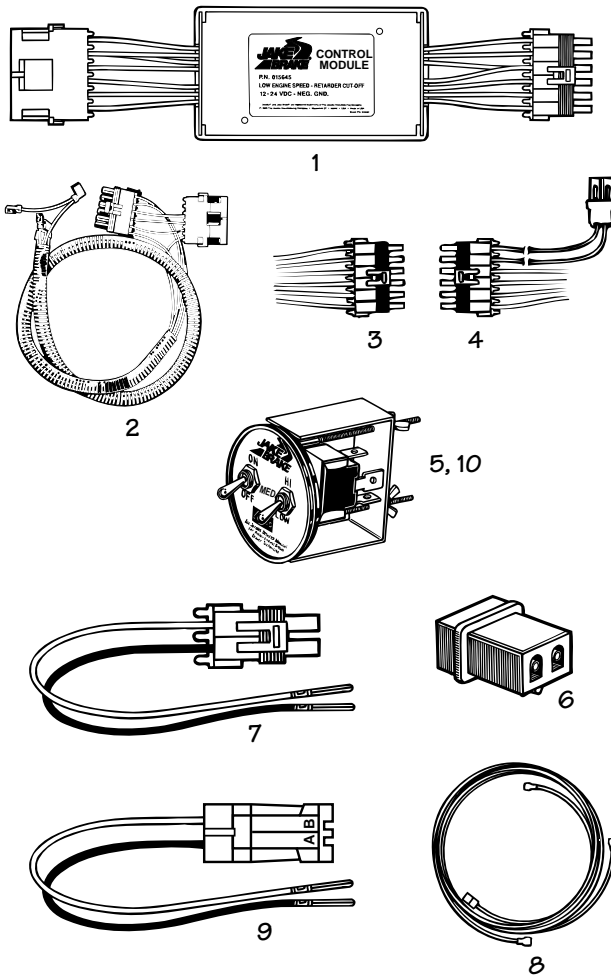
Ill. No.	Part No.	Part Name	Qty./Engine
1	016687	Spacer bar	2
	<b>016520</b>	<b>Hsg. Attg. Parts Group, 760</b>	
2	012995	• Bolt, 12 pt. 4.75" (120 mm)	6
3	021183	• Bolt, 12 pt. 4.375" (110 mm)	3
4	021184	• Flat washer	9
	<b>021268</b>	<b>Hsg. Attg. Parts Group, 760A/765</b>	
3	021183	• Bolt, 12 pt. 4.375" (110 mm)	9
4	021184	• Flat washer	9



# Control Groups

NOTE:

CONTROLS INSTALLED BY VEHICLE OEMS  
MAY BE DIFFERENT THAN CONTROLS  
SUPPLIED BY JACOBS.



## DDEC II

Ill. No.	Part No.	Part Name	Qty./ Engine
	<b>017332</b>	<b>DDEC II Control Group</b>	
1	017179	• Control module	1
2	017263	• In-line switch harness	1
3	015708	• Harness, module to power	1
4	015709	• Harness, module to out/clutch	1
5	017328	• Switch group	1
	<b>014325</b>	<b>DDEC II Engine Control Group</b>	
6	014828	• Pin housing (2 pin)	1
7	017393	• External solenoid harness	1
8	017392	• Internal solenoid harness	1

## DDEC II Optional Extension Harnesses Control Module to Solenoid Harness

NI	016216	Wire harness connector, 12 ft.
NI	016218	Wire harness connector, 8 ft.
NI	016217	Wire harness connector, 6 ft.

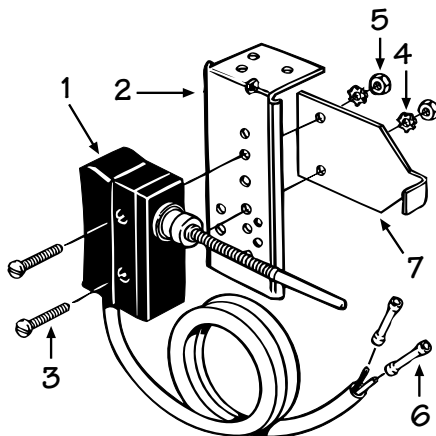
## DDEC III

Ill. No.	Part No.	Part Name	Qty./ Engine
	<b>020218</b>	<b>DDEC III Engine Control Group</b>	
6	014828	• Pin housing (2 pin)	1
9	020217	• External solenoid harness	1
8	017392	• Internal solenoid harness	1
NI	016207	• Split conduit	1
NI	020358	• Instruction sheet	1
	<b>020220</b>	<b>DDEC III Cab Control Group</b>	
NI	020244	• Harness group, 6 ft.	1
10	020035	• Switch group	1

## DDEC III Cab Control Group, Optional Equipment

NI	020245	Wire harness, 12 ft.
NI	020246	Wire harness, 8 ft.

# Clutch Switch



Ill. No.	Part No.	Part Name	Quantity
	<b>012261</b>	<b>Clutch Switch Assembly</b>	
1	012246	• Clutch switch	1
2	012269	• Switch mounting bracket	1
3	005377	• Pan head screw	2
4	005378	• Lockwasher	2
5	003306	• Hex nut	2
6	013708	• Butt splice	2
7	012262	• Overtravel bracket	1
NI	013674	• Instruction sheet	1

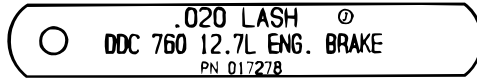
NOTE: Most vehicle equipped with DDEC III already have a vehicle OEM-installed Clutch Switch.

NI = Not Illustrated

---

# Service Parts

Part No.	Part Name
017671	Feeler gauge 0.026 in. (0.660 mm)
017278	Feeler gauge 0.020 in. (0.508 mm)
019875	Tune-up Kit, <b>760</b>
020531	Tune-up Kit, <b>760A/765</b>
019575	Torsion spring replacement group (6 springs)
020514	POWER-LASH® assembly (6 assemblies)



**Jacobs®**

Detroit Diesel® and Series 60® are registered trademarks of Detroit Diesel Corporation

Jacobs®, Jake Brake® and POWER-LASH® are registered trademarks of  
Jacobs Vehicle Equipment Company  
22 East Dudley Town Road  
Bloomfield CT 06002