

Jake Brake® Model 680B and Stealth™ Retarding System for Mack® Engines

Features and Benefits

- Fully integrated with V-MAC® I and V-MAC® II
- Stealth™ Retarding System provides increased performance along with quieter operation
- Factory installation available for all E7 Engines

Technical Specifications

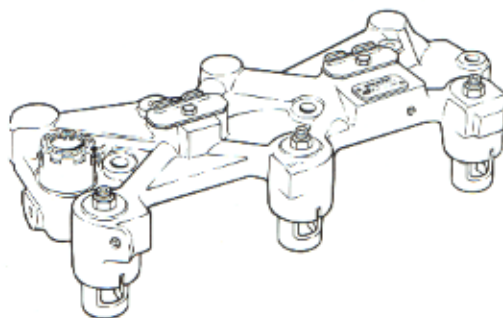
Height	3.7"	94 mm
Length	14.4"	366 mm
Width	5.5"	140 mm
Added Engine Weight	55 lbs	25 kg
Housings Per Engine	2	

RETARDING HORSEPOWER BY ENGINE APPLICATION

RPM	EM7-250, 275, 300	E7-300, 325, 350	E7-375, 400	E7-427, 454*
1100	75	75	70	100
1300	105	100	95	125
1500	150	140	130	165
1700	200	185	170	205
1900	250	230	215	250
2100	300	275	255	320

* Factory equipped with the Stealth Retarding System

All horsepower listed corrected to SAE Standard J1621 for pressure and adjusted for temperature where applicable.



Jacobs®

Mack® and V-MAC® are registered trademarks of Mack Trucks, Inc.

Jacobs® and Jake Brake® are registered trademarks and Stealth™ is a trademark of Jacobs Vehicle Equipment Company
22 East Dudley Town Road
Bloomfield CT 06002

© 3/96 Jacobs Vehicle Equipment Company
Printed in USA P/N 021587

**JAKE
BRAKE®**