



Model EX408

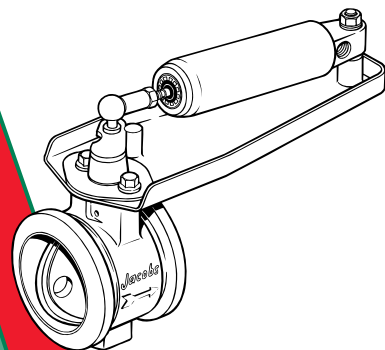
International[®] DT 408 Engines

Features

- Performance Optimized for Highest Available Horsepower
- Available for All Ratings of International DT 408 Engines
- Tamper-proof for Engine Reliability
- Lightweight
- Alloyed Cast-iron Housing and Butterfly Plate for High Strength and Long Life
- High Temperature Capability
- Backed by Jacobs Worldwide Network of Distributors and Dealers

Benefits

- Increased Vehicle Productivity
- Service Brake Savings
- Increased Vehicle Control
- Consistent Performance
- Low Overhung Weight on Turbocharger
- Installation Flexibility



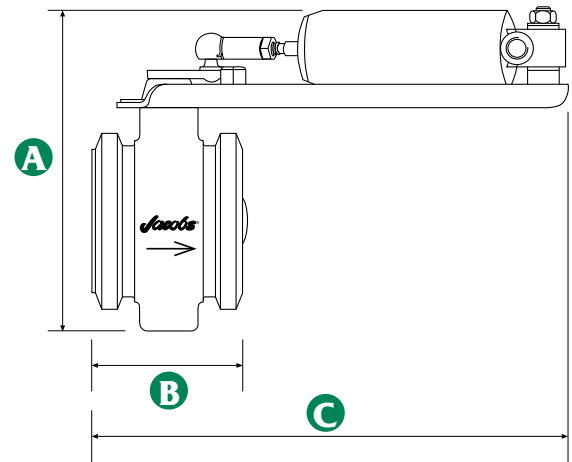


Model EX408

International® DT 408 Engines

Technical Specifications

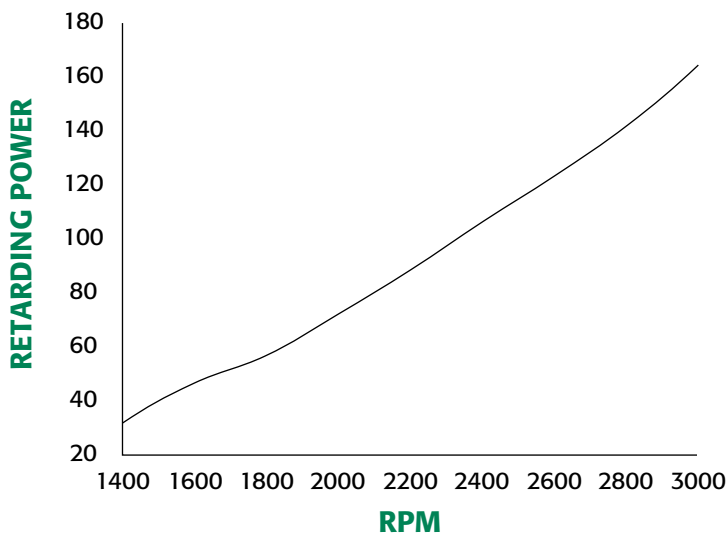
"A" Measurement:	7.52"	191 mm
"B" Measurement:	3.41"	86.6 mm
"C" Measurement:	10.83"	275 mm
Weight:	7.65 lbs.	3.67 Kg.
Exhaust Pipe Size:	3.5"	88.9 mm
Air Supply Pressure:	75 - 145 psi	5.2 - 10 BAR
Air Cylinder Thread:	1/4 - 18 NPT	



How an Extarder Works

The Jacobs Extarder is an engine compression retarder that generates its retarding power by a controlled restriction of the engine's exhaust gas flow. In restricting the engine exhaust, there is a resultant substantial increase in the engine back pressure. The power required to keep the engine running against this increased back pressure is obtained from the vehicle's forward momentum. That is, the vehicle's rear wheels are providing the power to turn the engine. This negative energy controls the vehicle's downhill speed while also providing vehicle speed reduction on a level surface.

Retarding Performance



Retarding Power	
RPM	HP
1400	32
1600	43
1800	56
2000	72
2200	88
2400	106
2600	123
2800	142
3000	164



Jacobs® is a registered trademark and Extarder™ is a trademark of Jacobs Vehicle Equipment Company • 22 East Dudley Town Road • Bloomfield, CT 06002