



Service Letter No. EX3 August, 1994

**Subject: In-line Pump Bracket, P/N 020255, and Switch Mounting Screws,
P/N 020180**

Models Affected: EXB59 and EXC83

All Extarder kits containing Engine Control Groups, P/N 019429 and P/N 019598, shipped **after August 1, 1994**, will contain a new In-line Pump Bracket, P/N 020255. This bracket replaces P/N 019048 or 020149.

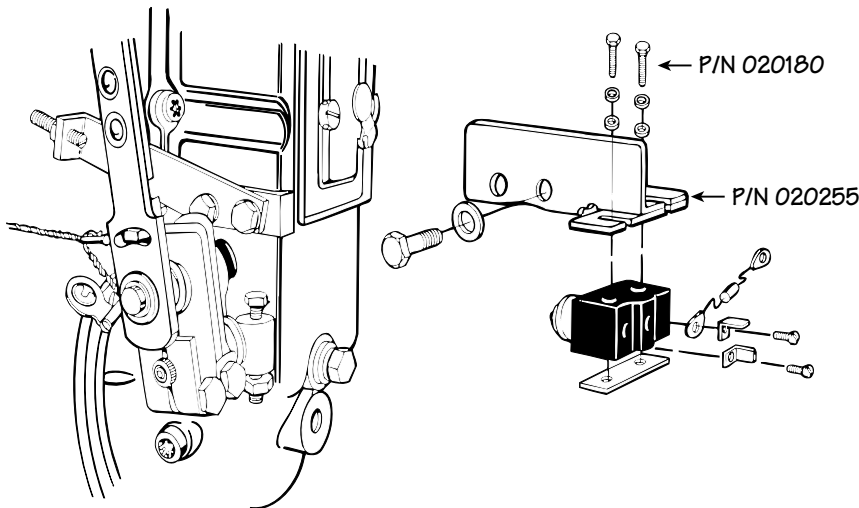
In addition, two (2) Hex-head Screws, P/N 020180, used to mount the switch (P/N 018188) to the new bracket have been added to the control group. This change has no effect on the mounting on the fuel pump switch arrangement to the fuel pump.

The new bracket/screw arrangement is interchangeable with the old bracket/screw arrangement.

Use the Bracket, P/N 020255, as a service replacement part for P/N 019048 or P/N 020149. Stock return of P/N 019048 and 020149 for credit will be accepted for 90 days from August 10, 1994.

Assembly of the new bracket is illustrated below.

In-line Pump



This is a product improvement and is not subject to campaign.

SERVICE LETTER