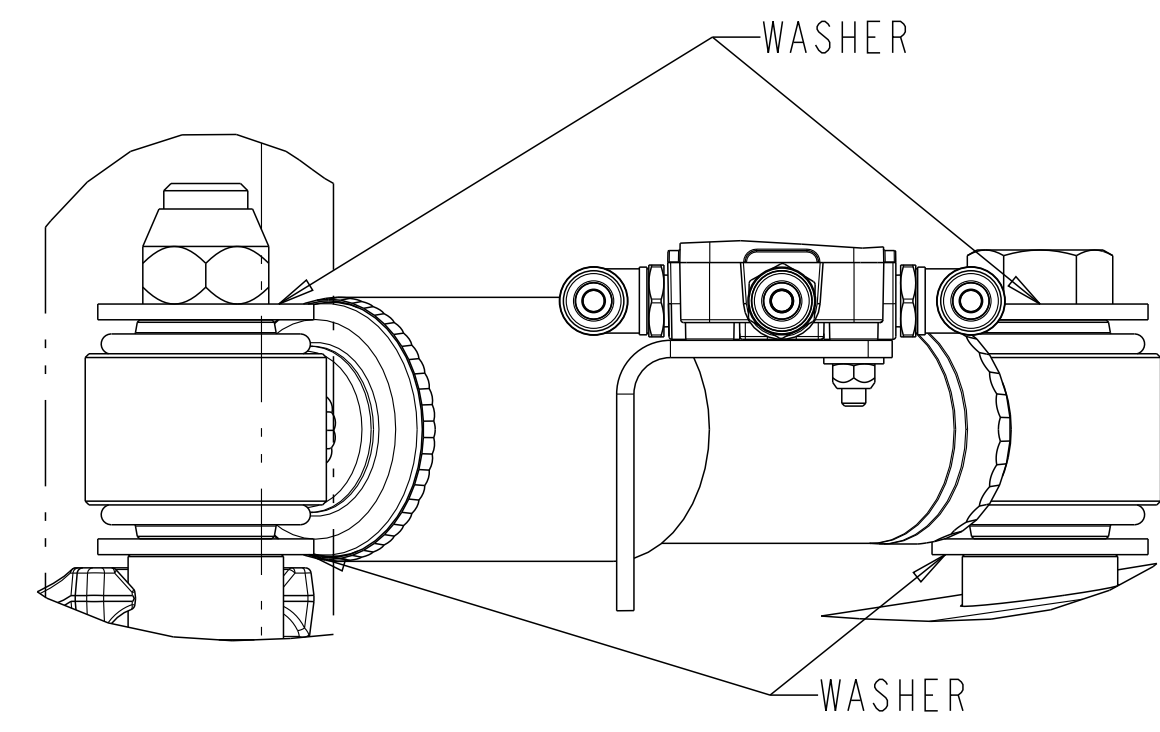
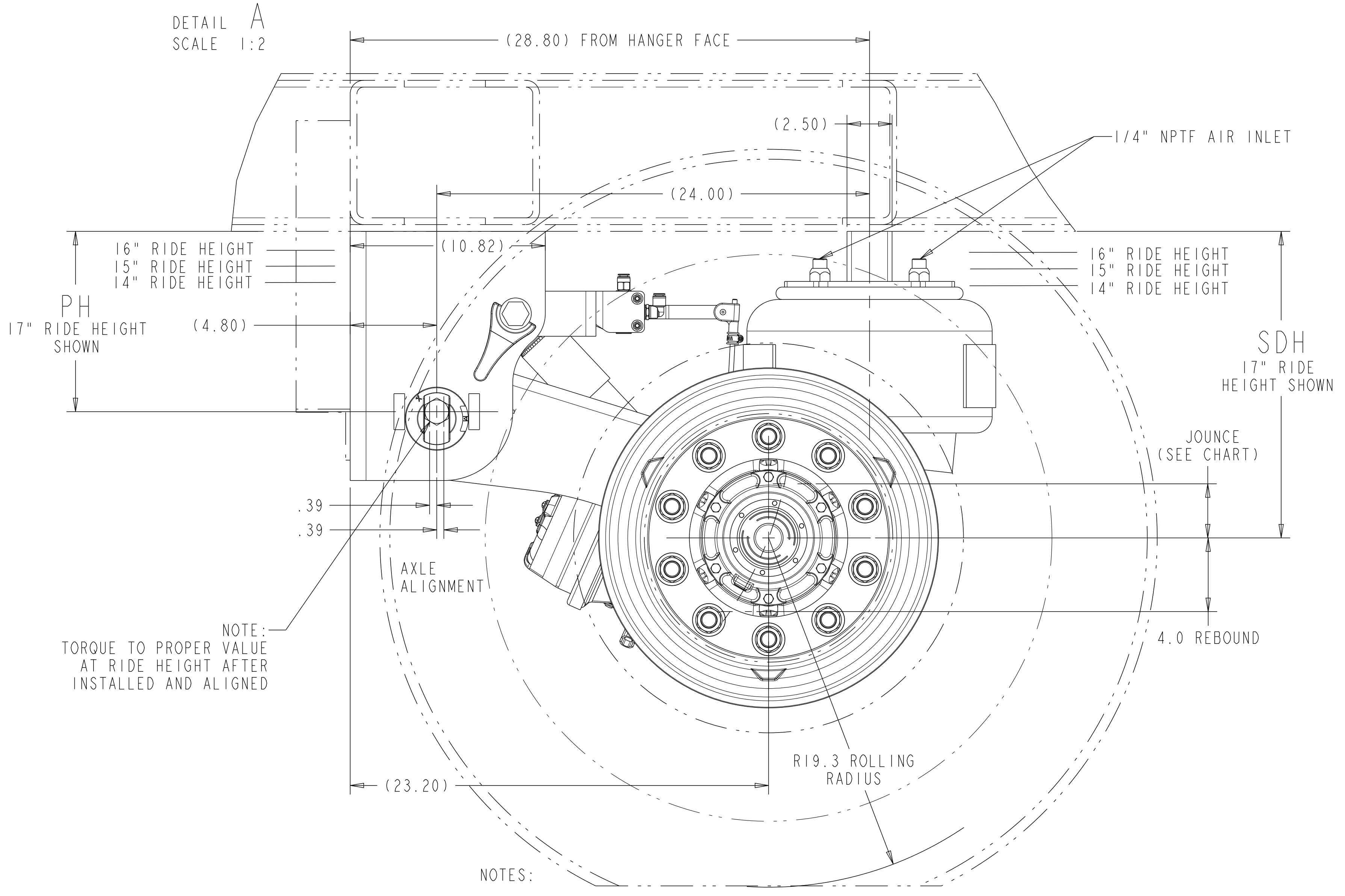


APPLICATION	STD TRACK REF	CAM CLOCKING	"X" REF	CBCB REF	SMC	TAC
DUAL WHEEL	77.5	BAR-99°	52.4	14.71	36.4	41.0
DUAL WHEEL	71.5	BAR-99°	46.4	8.71	30.4	35.0
● SUPER SINGLE	83.5	BAR-99°	66.4	20.71	42.4	47.0

SIM. PARTS			
5-66240A_01			
REVISIONS			
A	RELEASED 5-66241Q_01 FOR PRODUCTION.	109615	CH HN
B	REVISED LOWER AIR SPRING PEDESTAL, 1)ADDED JOUCE INFO.	111063	CH SS
C	1)ADDED NO WELDING OR DRILLING NOTE, 2)ADDED NOTE	113786	CH SS
D	SHOP CHART WAS 4-60559_09	115433	CH SS
E	WAS 1/2" FROM TOOLING HOLE	115875	CH SS
F	ADDED PAGE 2 WITH CAMS FRONT DETAILS.	118233	DP SVM
G	ADDED AIR CHAMBER PORT LOCATION NOTE.	123868	SD RS
H	UPDATED RHCV REPRESENTATION	ECN-165357	EN SD



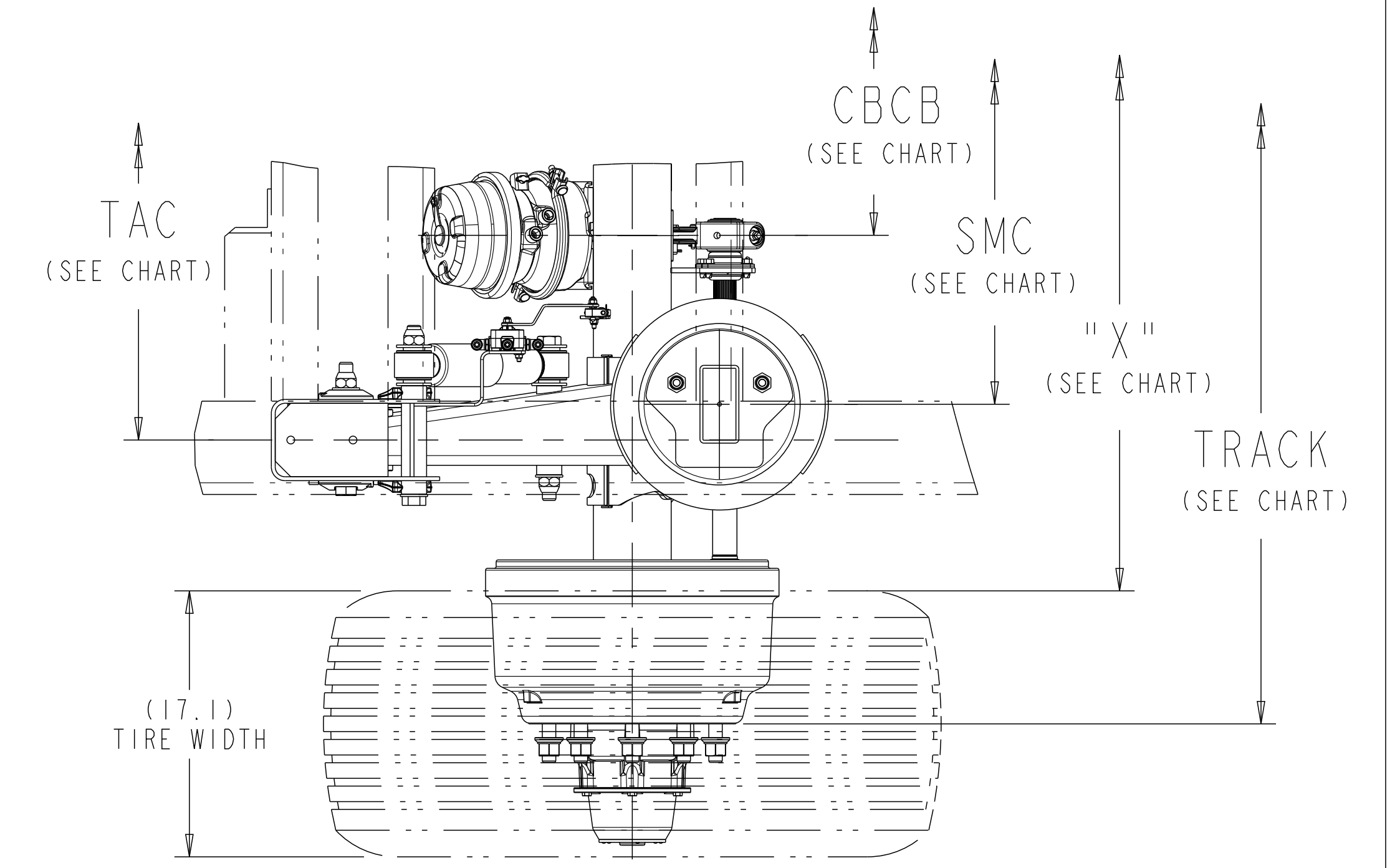
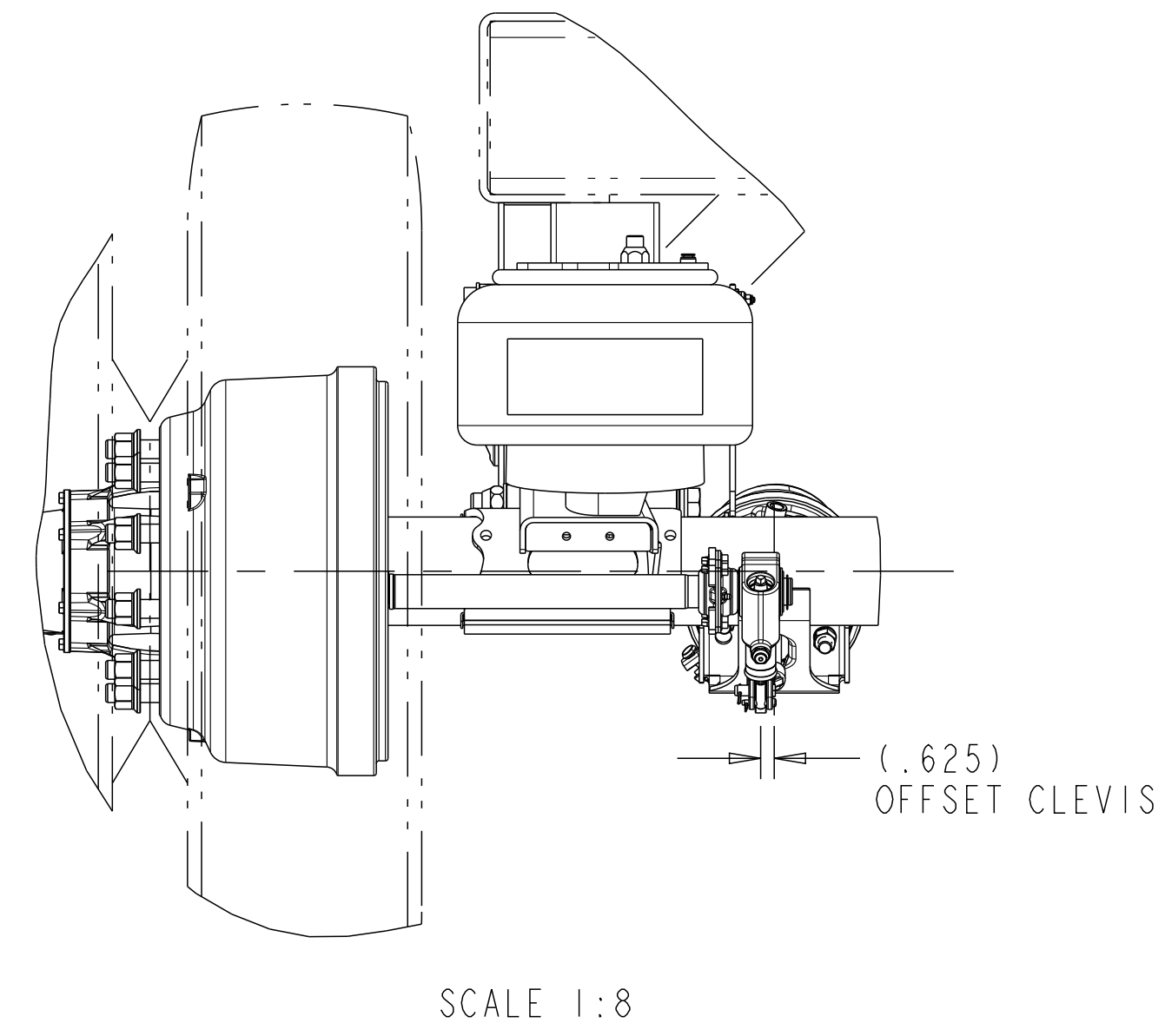
(C2)



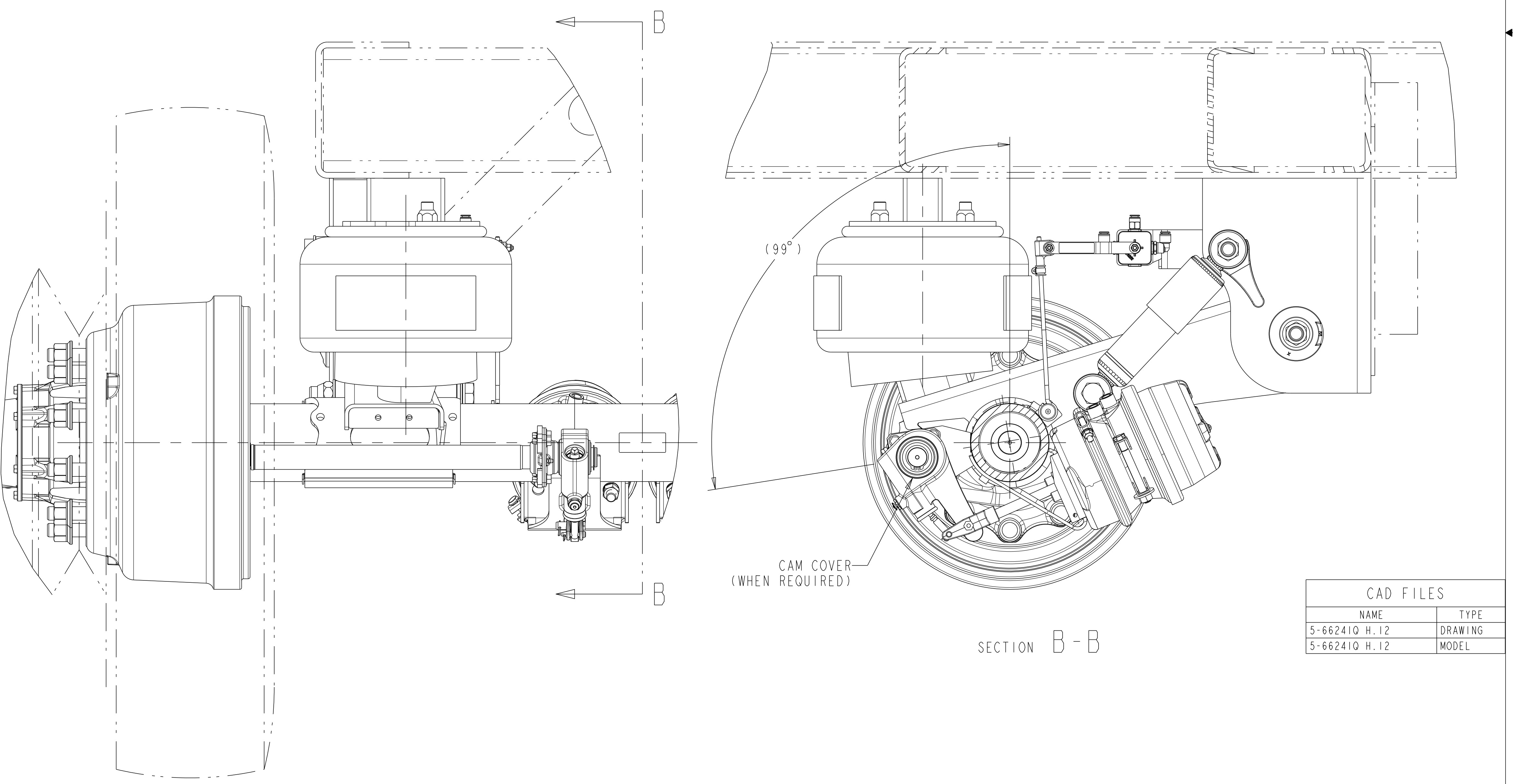
PH	SDH	RIDE HEIGHT	JOUCE
7.0	14.0	14"	2.8
8.0	15.0	15"	3.0
9.0	16.0	16"	3.0
10.0	17.0	17"	3.0

NOTES:  
 5.75 LONG PUSH ROD REQUIRED.  
 PROPER VEHICLE FRAME DESIGN IN THE AREA OF SUSPENSION ATTACHMENT IS THE RESPONSIBILITY OF THE INSTALLER.  
 SUSPENSION SERIES: MTA23T  
 SUSPENSION STATIC DESIGN CAPACITY = 23,000 LBS  
 RATING BASED ON APPLICATION APPROVAL  
 RATINGS FOR THE COMPONENTS WITHIN AN INDIVIDUAL MERITOR SUPPLIED SUSPENSION ASSEMBLY, INCLUDING BRAKES, HUBS, AND BEARINGS, MAY VARY AND MAY NOT BE EQUAL TO THE NOMINAL SUSPENSION RATING.  
 NO WELDING OR DRILLING ALLOWED ON TRAILING ARMS.  
 NO WELD WITHIN .25" OF FRAME BRACKET TOOLING HOLES.

FOR FINAL INSTALLATION TO TRAILER REFER TO 5-66240K\_01  
 REFER TO SHOP CHART 4-60559\_36 FOR TORQUE INFORMATION  
 DATA BASED ON:  
 DUAL: TIRE SIZE: 11R22.5  
 WHEEL OFFSET: .62  
 SINGLE: TIRE SIZE: 445/50R22.5  
 WHEEL OFFSET: .56



SCALE 1:8  
 SUPER SINGLE APPLICATION



CAD FILES	
NAME	TYPE
5-66241Q_H.12	DRAWING
5-66241Q_H.12	MODEL

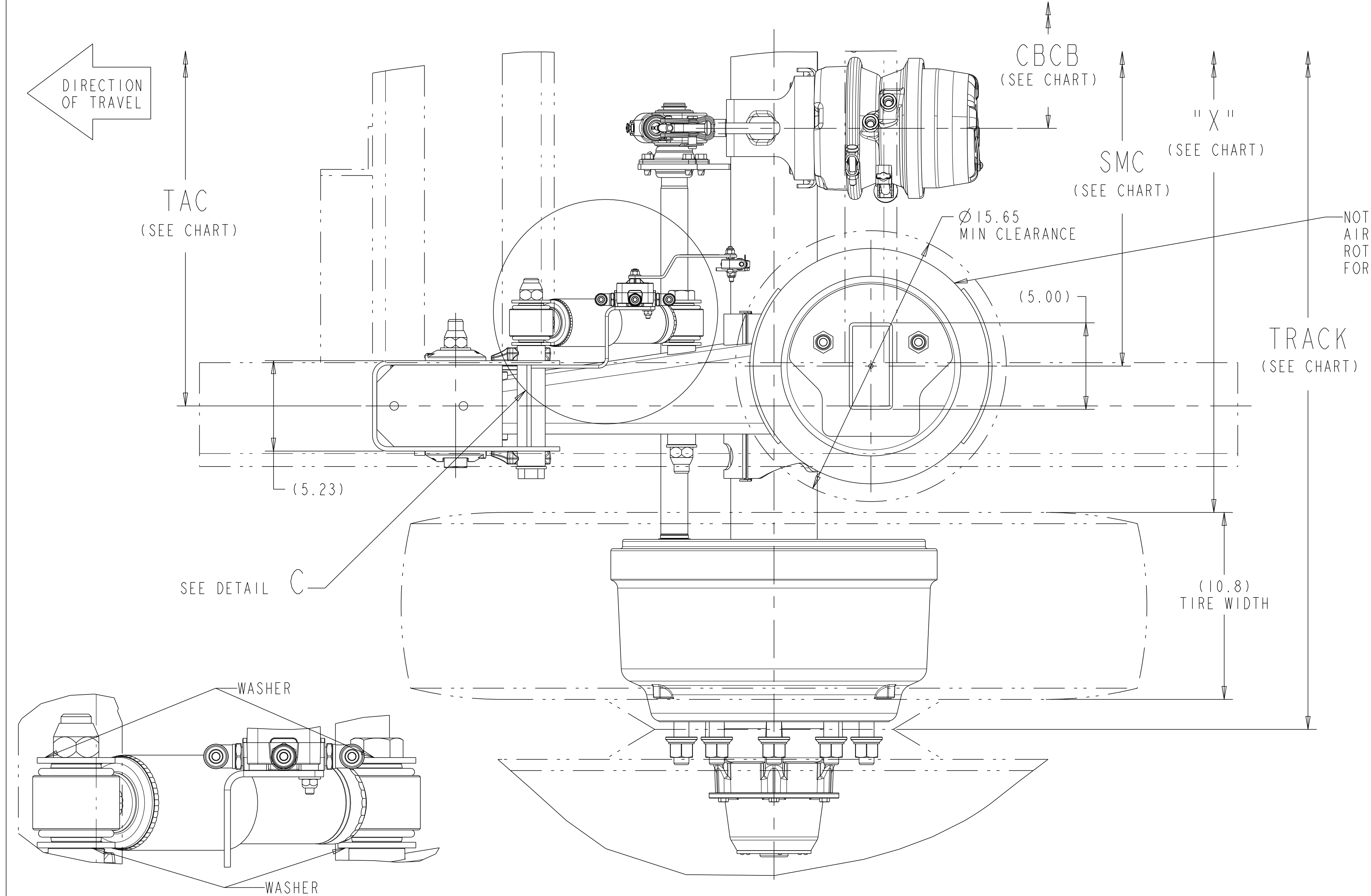
(G) FOR AIR CHAMBER PORT LOCATION SEE LAYOUT 4-40072\_01

FOR CAMS FRONT DETAILS SEE PAGE 2

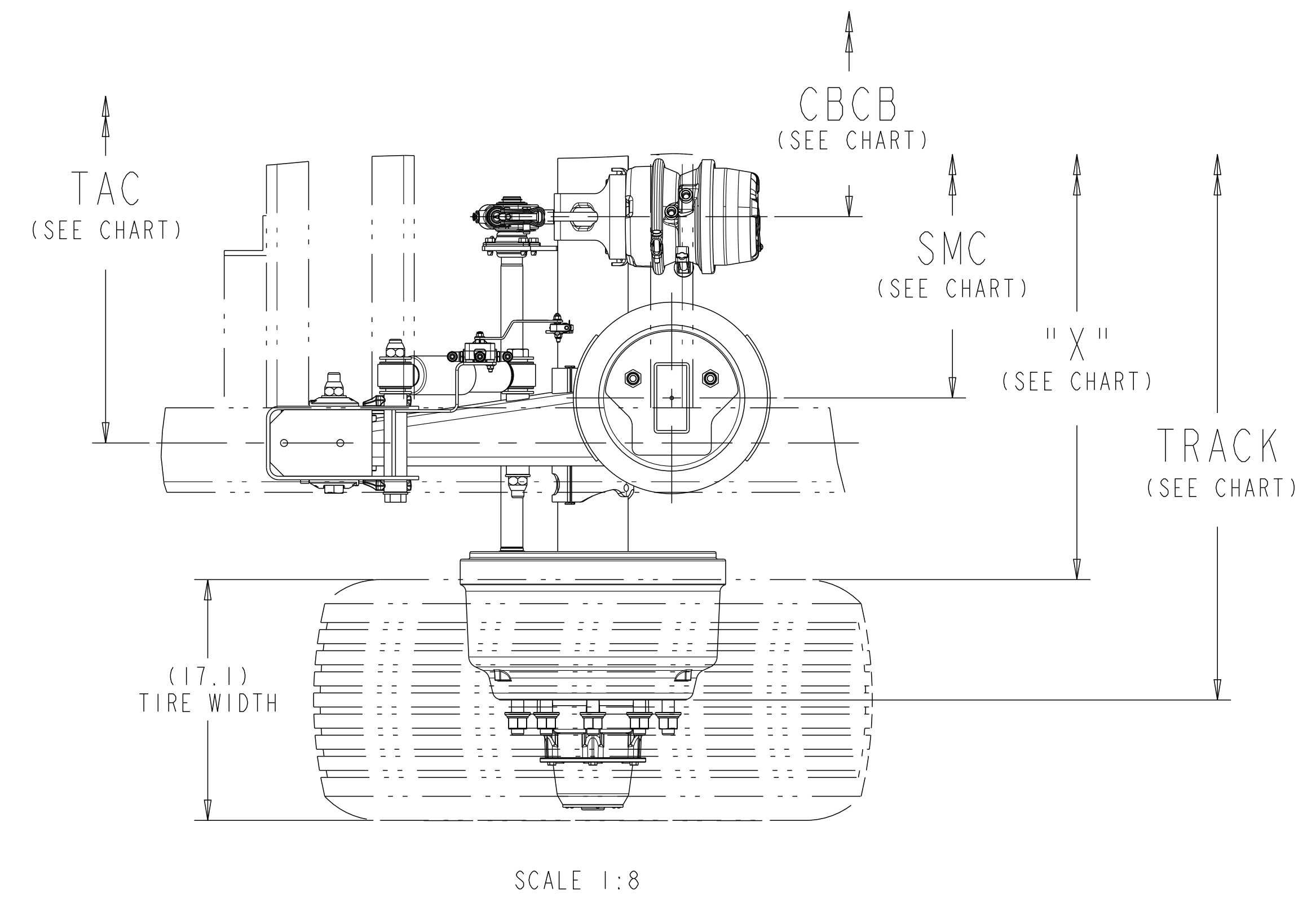
APPLY SPECIFIED MERITOR MARKINGS PER DRAFTING ENGINEERING STANDARDS D-004		THIS PRINT IS LOANED ON A CONFIDENTIAL BASIS SUBJECT TO RETURN UPON DEMAND BY MERITOR AND NOTHING HEREON MAY BE REPRODUCED, USED OR DISCLOSED IN WHOLE OR IN PART WITHOUT THE PRIOR WRITTEN PERMISSION OF MERITOR.		MATERIAL		SEE BILL OF MATERIAL FOR SPECIFIC INDIVIDUAL MODEL INFORMATION		109615 PART/DWG NO. 5-66241Q_01 EDC 00050	
APPROVED		DRAWN BY		CHECKED BY		3RD ANGLE PROJECTION		DRAWING SIZE	
S.S.		H.N.		C.H.		E		E	
01-Jun-09		01-Jun-09		01-Jun-09		MERITOR		INCH	
C.R./T.E. NO.		C.R./T.E. NO.		C.R./T.E. NO.		SCALE		DESIGN CONTROL GROUP	
APP. NO.		APP. NO.		APP. NO.		1:4		W.W. TRAILER PRODUCTS	
DCR 116105-008		MTA23T		MTA23T		PART NO.			

SIM PARTS		
5-66240A_01		
REVISIONS		
F	ADDED PAGE 2 WITH CAMS FRONT DETAILS.	118233 30-Mar-12 DP SVM
G	ADDED AIR CHAMBER PORT LOCATION NOTE.	123868 04-Apr-14 SD RS
H	UPDATED RHCV REPRESENTATION	ECN-165357 28-JUL-20 EN SD

APPLICATION	STD TRACK REF	CAM CLOCKING	"X" REF	CBCB REF	SMC	TAC
DUAL WHEEL	77.5 MIN	BAF-253°	52.4	8.89	36.4	41.0
● SUPER SINGLE	83.5	BAF-253°	66.4	14.89	42.4	47.0

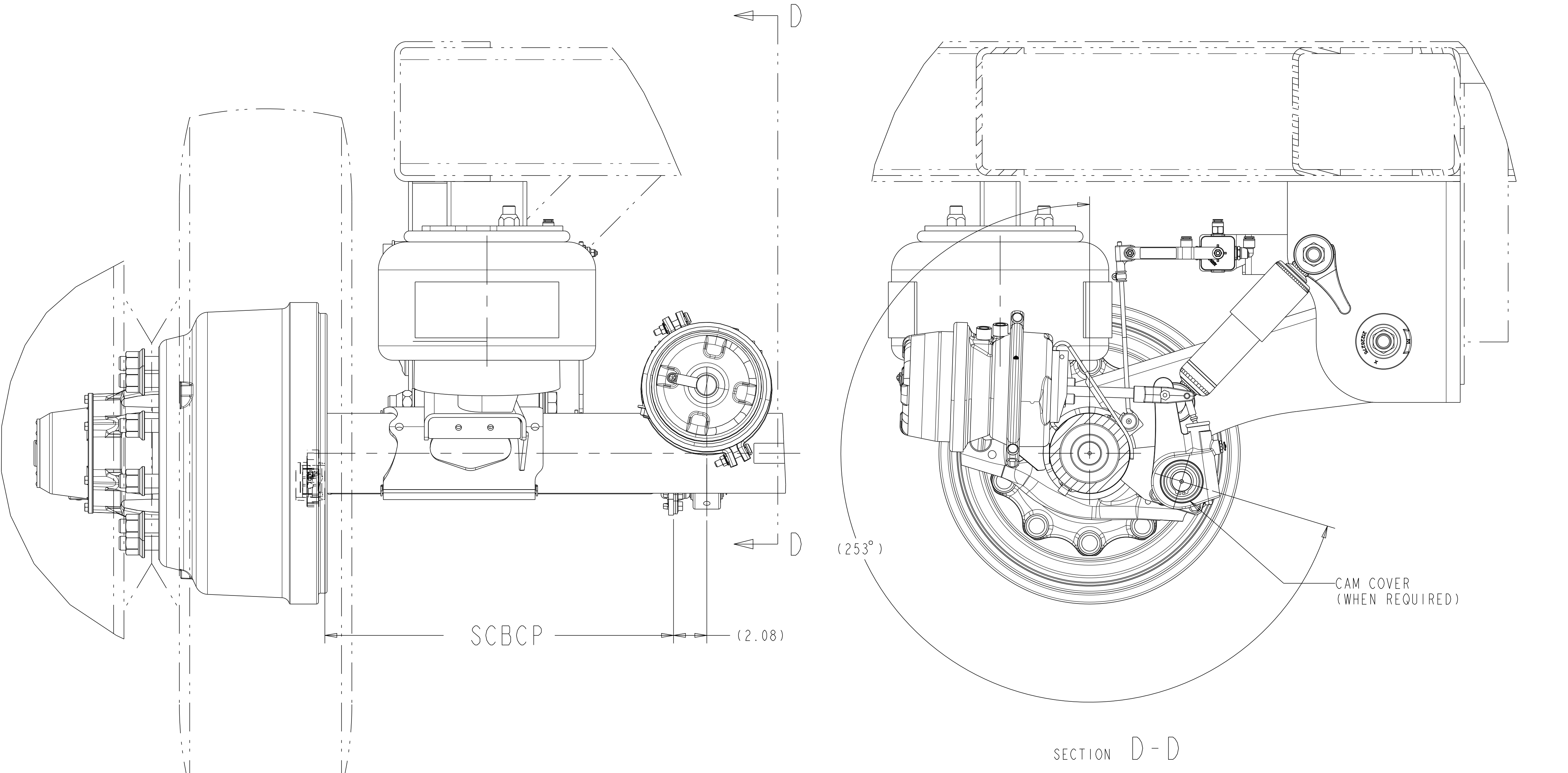
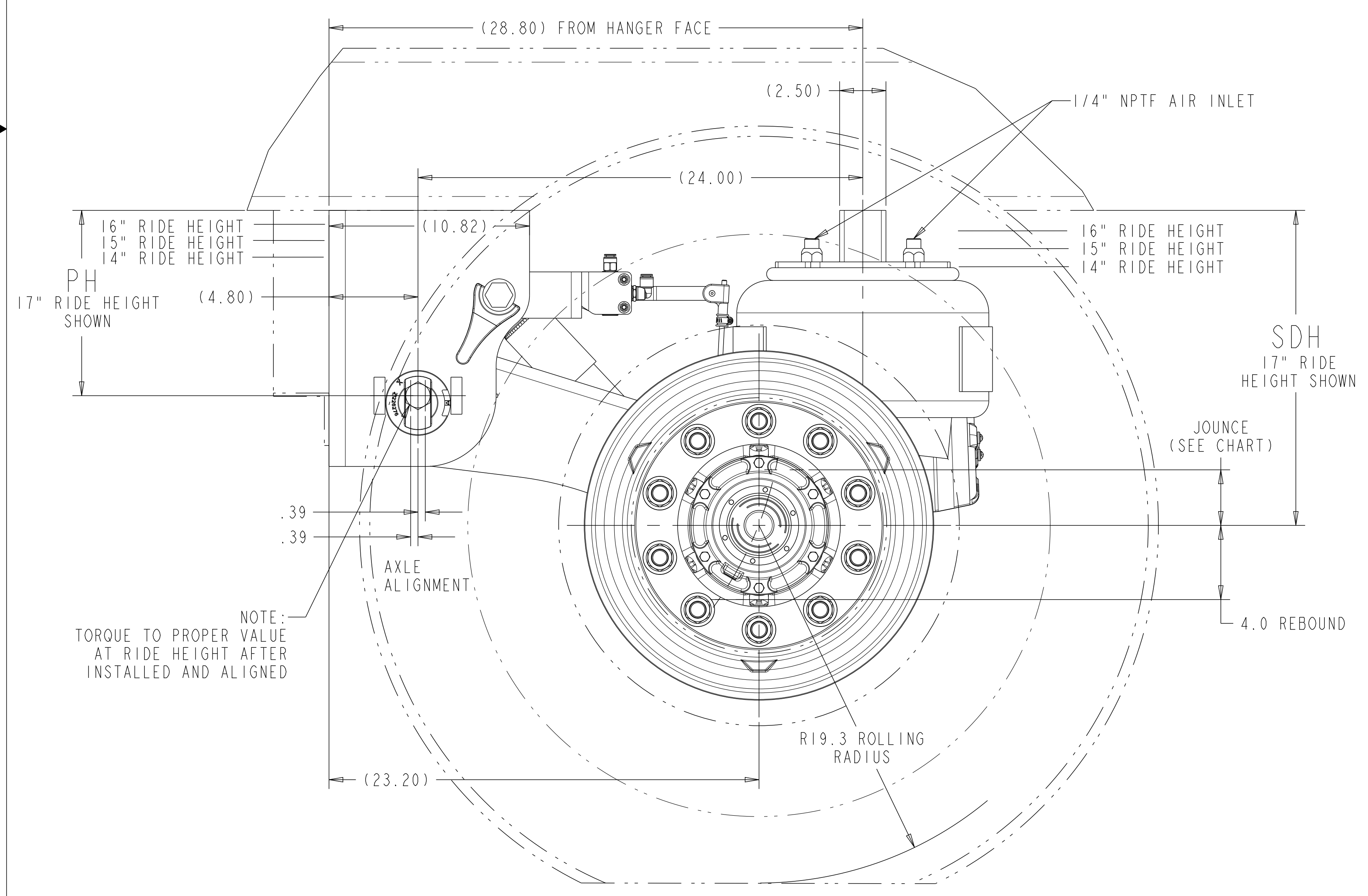


DUAL WHEEL APPLICATION  
 TYP. SHOCK INSTALLATION  
 (SHOCK INSTALLED BEFORE AIR CHAMBER)



SCALE 1:8  
 SUPER SINGLE APPLICATION

CAD FILES		
NAME	TYPE	
5-662410 H.12	DRAWING	
5-662410 H.12	MODEL	



NOTES:  
 5.75 LONG PUSH ROD REQUIRED.  
 PROPER VEHICLE FRAME DESIGN IN THE AREA OF SUSPENSION ATTACHMENT IS THE RESPONSIBILITY OF THE INSTALLER.  
 SUSPENSION SERIES: MTA23T  
 SUSPENSION STATIC DESIGN CAPACITY = 23,000 LBS  
 ● RATING BASED ON APPLICATION APPROVAL  
 RATINGS FOR THE COMPONENTS WITHIN AN INDIVIDUAL MERITOR SUPPLIED SUSPENSION ASSEMBLY, INCLUDING BRAKES, HUBS, AND BEARINGS, MAY VARY AND MAY NOT BE EQUAL TO THE NOMINAL SUSPENSION RATING.  
 NO WELDING OR DRILLING ALLOWED ON TRAILING ARMS. NO WELD WITHIN .25" OF FRAME BRACKET TOOLING HOLES.

PH	SDH	RIDE HEIGHT	JOUNCE
7.0	14.0	14"	2.8
8.0	15.0	15"	3.0
9.0	16.0	16"	3.0
10.0	17.0	17"	3.0

FOR FINAL INSTALLATION TO TRAILER REFER TO 5-66240K\_01  
 REFER TO SHOP CHART 4-60559\_36 FOR TORQUE INFORMATION  
 DATA BASED ON:  
 DUAL: TIRE SIZE: 11R22.5 WHEEL OFFSET: 6.62  
 SINGLE: TIRE SIZE: 445/50R22.5 WHEEL OFFSET: .56

RESTRICTIONS FOR CAMS FRONT APPLICATION:  
 1. MINIMUM TRACK VALUE SHOULD BE 77.5"  
 2. LIFT KIT CANNOT BE PACKAGED  
 3. MINIMUM SCBCP VALUE SHOULD BE 21.83"

⑥ FOR AIR CHAMBER PORT LOCATION SEE LAYOUT 4-40072\_01

APPLY SPECIFIED MERITOR MARKINGS PER DRAFTING ENGINEERING STANDARDS 0-004		THIS PRINT IS LOANED ON A CONFIDENTIAL BASIS SUBJECT TO RETURN UPON DEMAND BY MERITOR AND NOTHING HEREON MAY BE REPRODUCED, USED OR DISCLOSED IN WHOLE OR IN PART WITHOUT THE PRIOR WRITTEN PERMISSION OF MERITOR.		MATERIAL		SEE BILL OF MATERIAL FOR SPECIFIC INDIVIDUAL MODEL INFORMATION		118233 PART/DWG NO. 5-662410_01 EDC 00050	
APPROVED		DRAWN BY S.V.M. 19-Mar-12		CHECKED BY D.P. 19-Mar-12		3RD ANGLE PROJECTION		DRAWING SIZE E	
PROJECT ENG		MATERIAL		SPECIAL		SCALE 1:4		DESIGN CONTROL GROUP W.W. TRAILER PRODUCTS	
INQUIRY NO.		C.R./T.E. NO.		APP. NO. PCCR 123834		ORIGINAL FOR MTA23T		PART NO.	

MERITOR INCH

DO NOT CHANGE MANUALLY