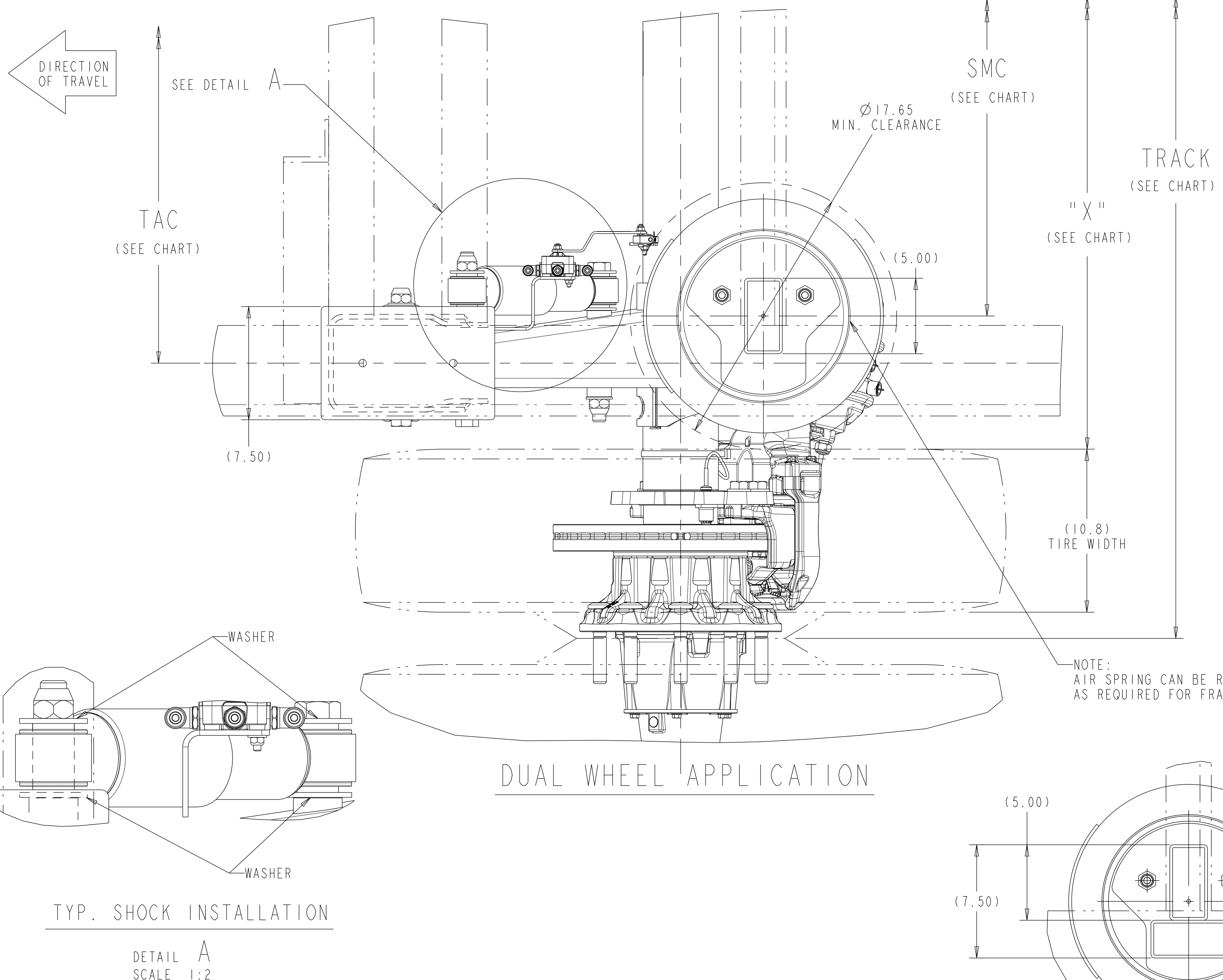
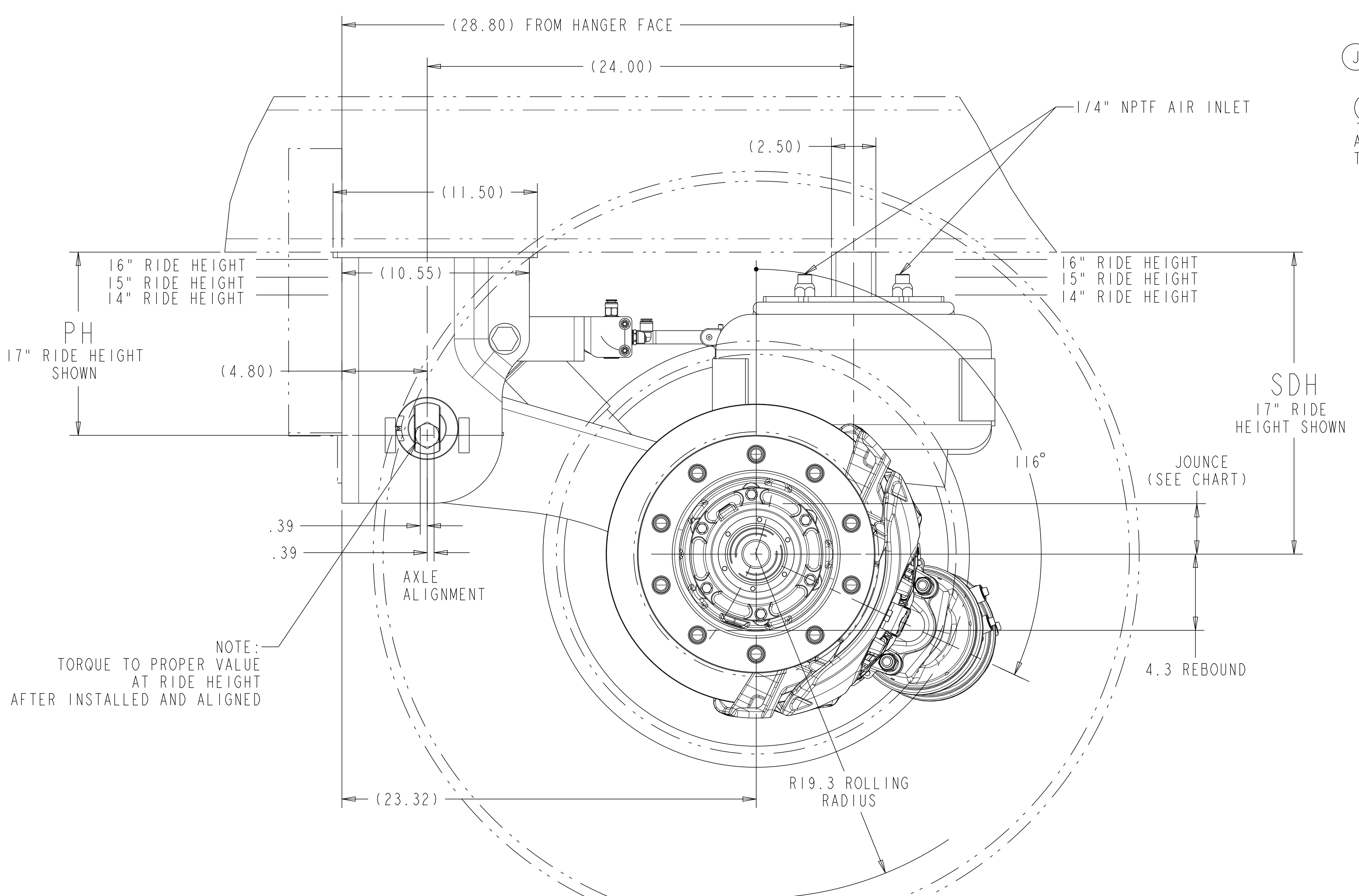
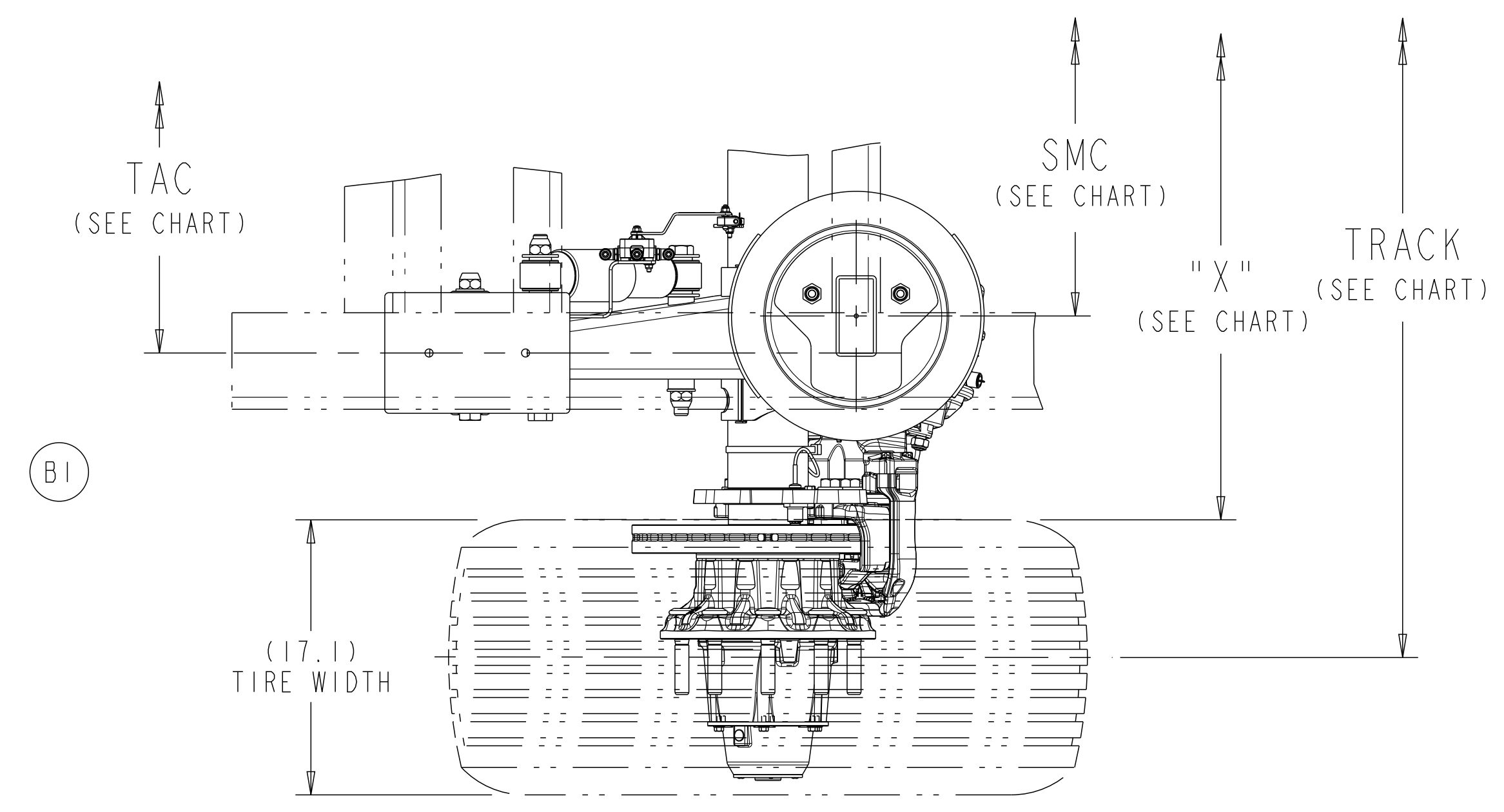


Revision: P.8
 STATE: Engineering Released
 EXPORT_CONTROL: HARD_WARE=EAR - EAR99, EXPORT_CONTROL=EAR - EAR99

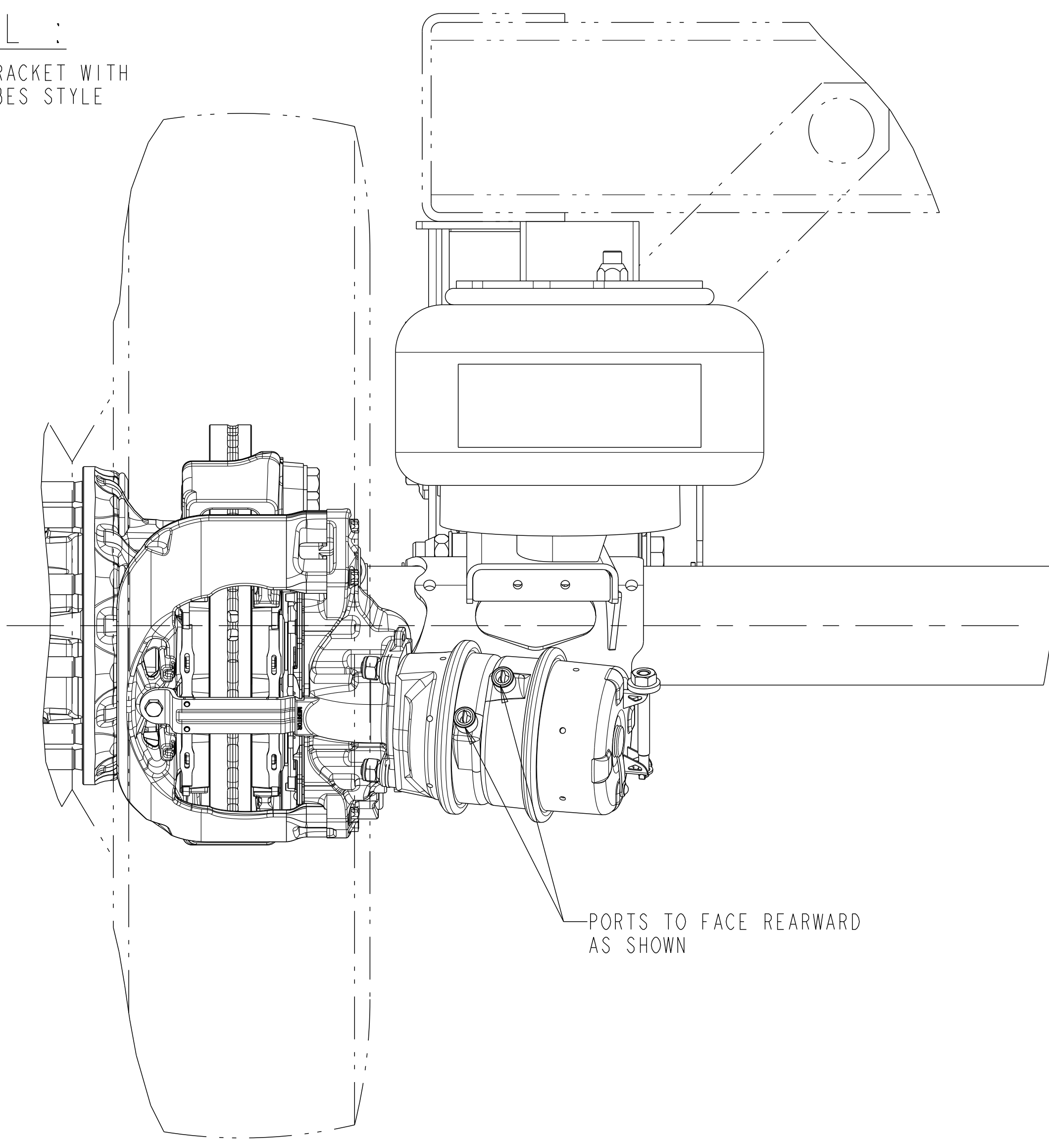


APPLICATION	TRACK REF.	"X" REF.	SMC	TAC
DUAL WHEEL	77.5	52.4	34.75	41.0
DUAL WHEEL	71.5	46.4	28.75	35.0
● SUPER SINGLE	83.5	66.4	40.75	47.0

PH	SDH	RIDE HEIGHT	OUNCE
7.31	14.0	14"	2.9
8.31	15.0	15"	3.1
9.31	16.0	16"	3.1
10.31	17.0	17"	3.1



VIEW B SCALE 1:4
 OPTIONAL:
 AIR SPRING BRACKET WITH TWO UPPER TUBES STYLE



(H2)

DISC BRAKE INFORMATION		
COMPONENT	ROAD SIDE	CURB SIDE
EX225+L	EX225L271CG000	EX225L272CG000
PAN22	A1-3263G1385	A-3263G1385
BENDIX-ADB22X-LT	B1-3263P1446	B-3263P1446
EX225+LS	EX225S203CG000	EX225S204CG000

FOR AIR CHAMBER PORT LOCATION SEE LAYOUT 4-40072A.01 (H3)

SIM. PARTS			
REVISIONS			
A	RELEASE 5-67624J_01 FOR PRODUCTION	109918 10/05/10	CH HN
B	1) ADDED BAR APPLICATION INFO., 2) REVISED AIR CHAMBER INFO.	114587 01/31/11	CH SS
C	REMOVED AIR CHAMBER INFO. FROM TABLE	114961 02/16/11	CH SS
D	SHOP CHART WAS 4-60559_09	115433 04/27/11	CH SS
E	UPDATED AIR CHAMBERS TO LATEST REVISION	116340 07/18/11	CH SS
F	WAS 1/2" FROM TOOLING HOLE	116459 10/10/11	CH SS
G	UPDATED LAYOUT TO SHOW 116° BAR AS STANDARD; REMOVE BAF DATA.	118409 02-May-12	DP SD
H	UPDATED VIEWS TO REFLECT THE CHANGE IN TORQUE PLATE FROM 3215L1884 TO 3215Y2339 AND TO SHOW EX225L PLUS DISC BRAKE. 1-UPDATED NOTE. 2-UPDATED DISC BRAKE INFORMATION TABLE. 3-ADDED NOTE REGARDING AIR CHAMBER PORT LOCATION.	125405 04-Dec-14	SD SR
J	ADDED OPTIONAL VIEW "B"	ECN-132874 26-May-16	OL SD
K	UPDATED DISC BRAKE INFORMATION TABLE: 1-EX225L PLUS DISC BRAKE PART NUMBERS WERE EX225L213CD000S & EX225L214CD000S 2-ADDED BENDIX-ADB22X-LT DISC BRAKE PART NUMBERS 3-REMOVED BENDIX DISC BRAKE PART NUMBERS B1-3263Y1403 & B-3263Y1403 FROM TABLE 4-UPDATED NOTE	ECN-144195 19-MAR-19	VMJ SRB
L	DISC BRAKE PART NUMBERS WERE EX225L271CD000S AND EX225L272CD000S	ECN-162476 05-NOV-19	EN SD
M	UPDATED RHCV REPRESENTATION	ECN-165357 03-AUG-20	EN SD
N	UPDATED DISC BRAKE INFORMATION TABLE: 1-ADDED EX225+LS DISC BRAKE PART NUMBERS 2-EX225+L WAS EX225L PLUS 3-UPDATED EX225+L DISC BRAKE PART NUMBERS TO SHOW LONG PIN LEADING 4-UPDATED NOTE	ECN-172964 17-DEC-20	EN SD
P	EX225+LS DISC BRAKE PART NUMBERS WERE EX225S201CG000 AND EX225S202CG000	ECN-175815 17-FEB-21	PM SD

CAD FILES		
FILE NAME	REV.	VER.
DRAWING 5-67624J	P.8	
ASSEM 5-67624J	P.5	

NOTES:
 PROPER VEHICLE FRAME DESIGN IN THE AREA OF SUSPENSION ATTACHMENT IS THE RESPONSIBILITY OF THE INSTALLER.
 SUSPENSION SERIES: MTA30T
 SUSPENSION STATIC DESIGN CAPACITY = 30,000 LBS
 ● RATING BASED ON APPLICATION APPROVAL
 RATINGS FOR THE COMPONENTS WITHIN AN INDIVIDUAL MERITOR SUPPLIED SUSPENSION ASSEMBLY, INCLUDING BRAKES, HUBS, AND BEARINGS, MAY VARY AND MAY NOT BE EQUAL TO THE NOMINAL SUSPENSION RATING.
 (F) NO WELDING OR DRILLING ALLOWED ON TRAILLING ARMS. NO WELD WITHIN .25" OF FRAME BRACKET TOOLING HOLES.
 (D) REFER TO SHOP CHART 4-60559_36 FOR TORQUE INFORMATION
 DATA BASED ON:
 DUAL: TIRE SIZE: 11R22.5
 WHEEL OFFSET: 6.62
 SINGLE: TIRE SIZE: 445/50R22.5
 WHEEL OFFSET: .56

(H1) MTA30T WITH EX225+L / BENDIX-ADB22X-LT / PAN22 AND (N4) (K4) EX225+LS DISC BRAKE FOR WELD-ON HANGER APPLICATION

AIR CHAMBER CLOCKING 116° EX225+L DISC BRAKE SHOWN

(N3) (N2) (L) (C) (K1) (B2) (K2) (K3) (P) (N1)

APPLY SPECIFIED MERITOR MARKINGS PER DRAFTING ENGINEERING STANDARDS D-004
 THIS PRINT IS LOANED ON A CONFIDENTIAL BASIS SUBJECT TO RETURN UPON DEMAND BY MERITOR AND NOTHING HEREON MAY BE REPRODUCED, USED OR DISCLOSED IN WHOLE OR IN PART WITHOUT THE PRIOR WRITTEN PERMISSION OF MERITOR.

SEE BILL OF MATERIAL FOR SPECIFIC INDIVIDUAL MODEL INFORMATION
 APPROVED: S.S. H.N. 16-Feb-10
 CHECKED BY: C.H. 16-Feb-10
 3RD ANGLE PROJECTION
 ORIGINAL FOR MTA30T
 SCALE 1:4
 DESIGN CONTROL GROUP W W TRAILER PRODUCTS
 PART NO. 5-67624J-01

109918	PART/DWG NO. 5-67624J-01	EDC 04627
RELEASE	NAME MTA30T SERIES SUSP. GROUP	PAGE 1 OF 1
DRAWING SIZE E		INCH
MERITOR		
SCALE 1:4		PART NO. 5-67624J-01

DO NOT CHANGE MANUALLY