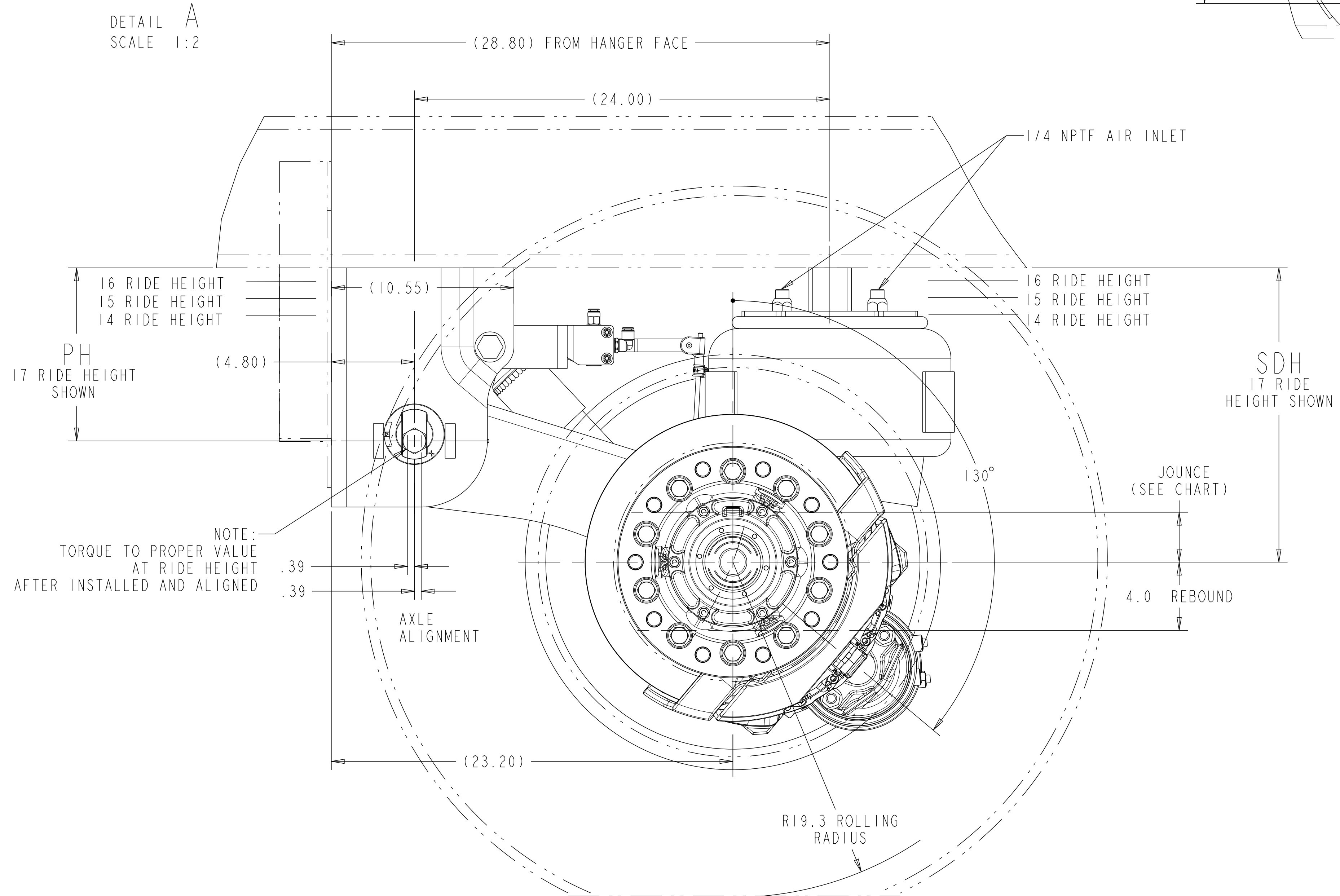
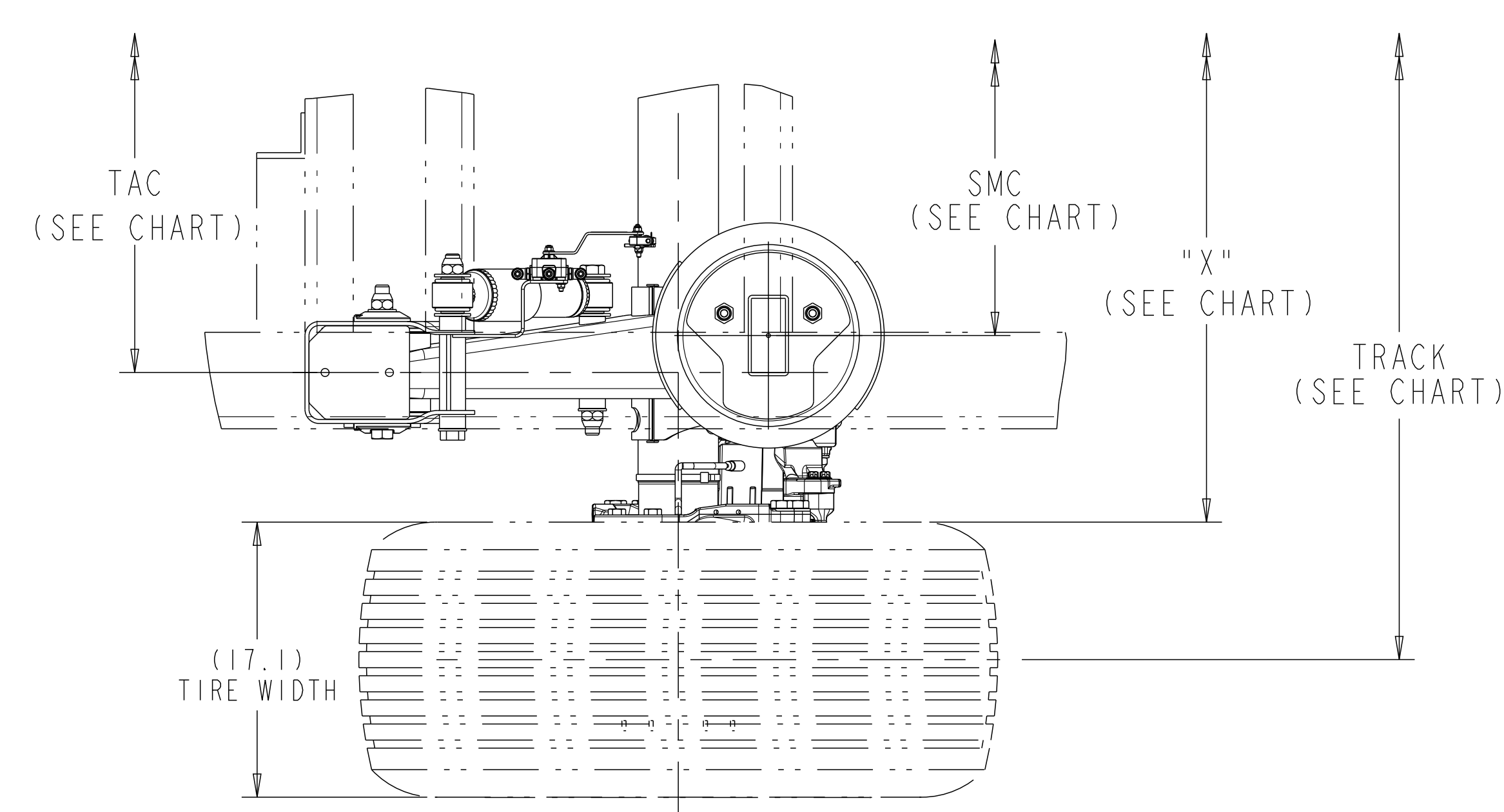
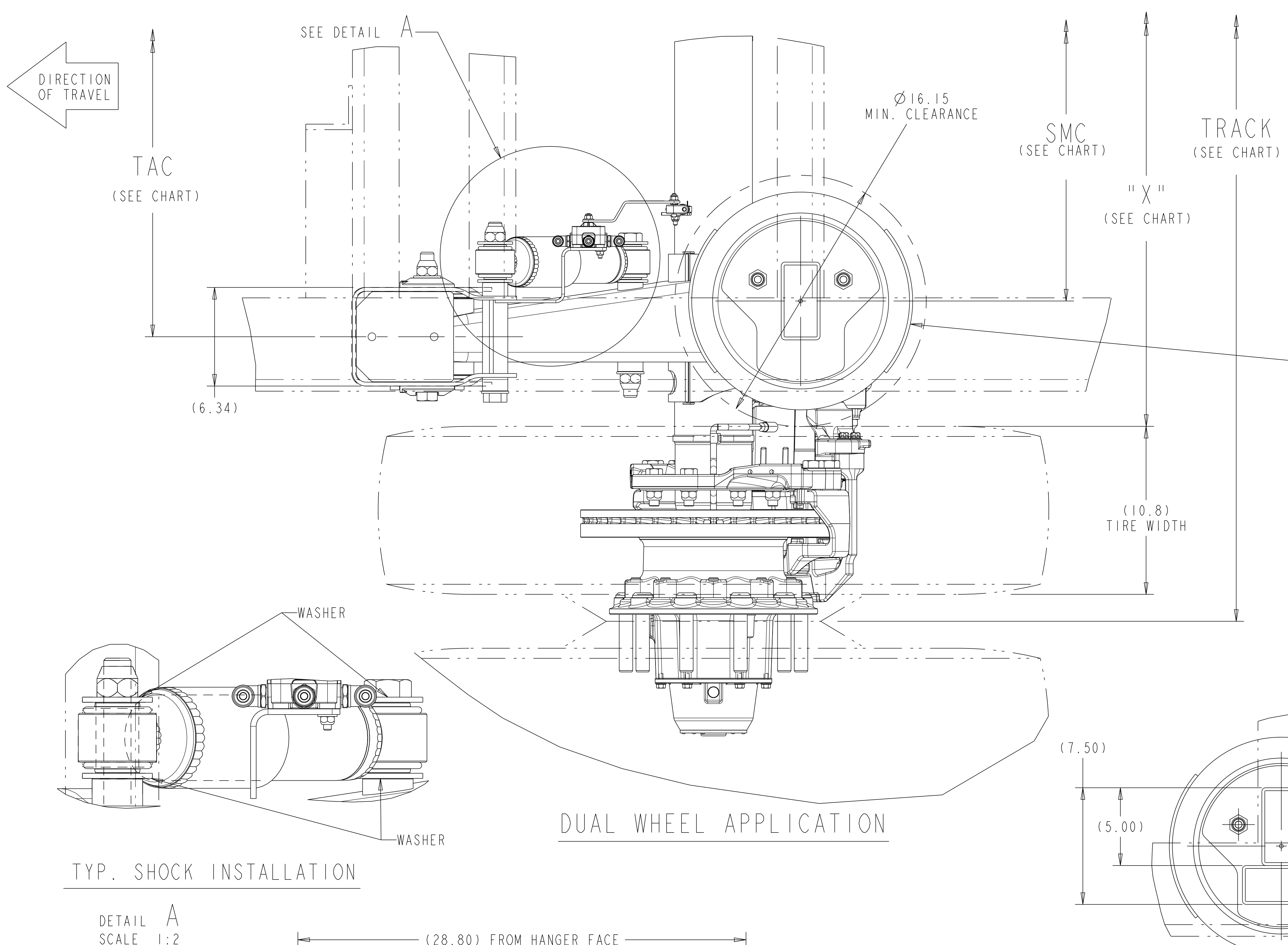


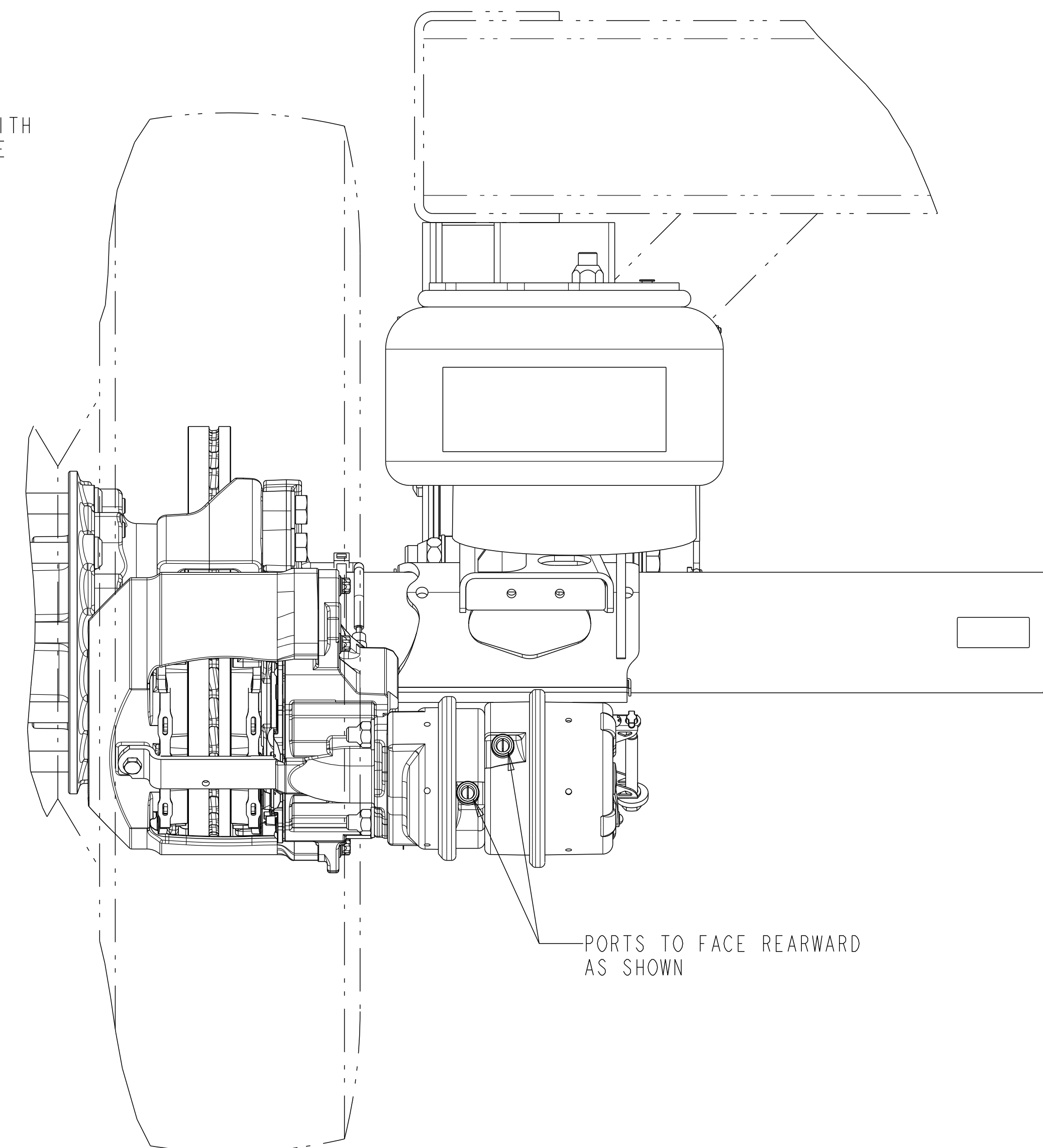
SIM. PARTS			
5-66241W_01			
REVISIONS			
A	RELEASE 5-66734S_01 FOR PRODUCTION.	114076 11/19/10	CH SS
B	REVISED BRAKE AIR CHAMBER INFO.	114587 01/31/11	CH SS
C	REMOVED AIR CHAMBER INFO. FROM TABLES	114961 02/16/11	CH SS
D	SHOP CHART WAS 4-60559_09	115433 04/27/11	CH SS
E	UPDATED AIR CHAMBERS TO LATEST REVISION	116340 07/18/11	CH SS
F	WAS 1/2" FROM TOOLING HOLE	116459 10/10/11	CH SS
G	UPDATED LAYOUT TO SHOW 130° BAR AS STANDARD; REMOVED BAF DATA. 1-LAYOUT WAS 5-66733F_01	118409 02-May-12	DP SD
H	1-ADDED NOTE REGARDING AIR CHAMBER PORT LOCATION. 2-UPDATED NOTE. 3-UPDATED TABLE TO SHOW COMPLETE PART NUMBERS.	125405 08-Dec-14	SD ARS
J	ADDED OPTIONAL VIEW "B"	ECN-132874 25-May-16	OL SD
K	UPDATED TABLE TO CORRECT CURBSIDE AND ROADSIDE BRAKE PART NUMBERS	ECN-136160 18-Nov-16	SRB ARS
L	UPDATED RHCV REPRESENTATION	ECN-165357 29-JUL-20	EN SD

APPLICATION	TRACK REF.	"X" REF.	SMC	TAC
DUAL WHEEL	77.5	52.4	34.75	41.0
DUAL WHEEL	71.5	46.4	28.75	35.0
● SUPER SINGLE	83.5	66.4	40.75	47.0

PH	SDH	RISE HEIGHT	JOUNCE
7.00	14.0	14	3.0
8.00	15.0	15	3.2
9.00	16.0	16	3.2
10.00	17.0	17	3.2



VIEW B (J)
 SCALE 1:4
 OPTIONAL:
 AIR SPRING BRACKET WITH TWO UPPER TUBES STYLE



CAD FILES		
FILE NAME	REV. VER	EDC
DRAWING 5-66734S	L.6	
ASSEM 5-66734S	L.6	

NOTES:
 PROPER VEHICLE FRAME DESIGN IN THE AREA OF SUSPENSION ATTACHMENT IS THE RESPONSIBILITY OF THE INSTALLER.
 SUSPENSION SERIES: MTA25T
 SUSPENSION STATIC DESIGN CAPACITY = 25,000 LBS
 ● RATING BASED ON APPLICATION APPROVAL
 RATINGS FOR THE COMPONENTS WITHIN AN INDIVIDUAL MERITOR SUPPLIED SUSPENSION ASSEMBLY, INCLUDING BRAKES, HUBS AND BEARINGS MAY VARY AND MAY NOT BE EQUAL TO THE NOMINAL SUSPENSION RATING.
 (F) NO WELDING OR DRILLING ALLOWED ON TRAILING ARMS. NO WELD WITHIN .25 OF FRAME BRACKET TOOLING HOLES.
 (GI) FOR FINAL INSTALLATION TO TRAILER REFER TO 5-66733E_01
 (D) REFER TO SHOP CHART 4-60559_36 FOR TORQUE INFORMATION
 DATA BASED ON:
 DUAL: TIRE SIZE: 11R22.5
 WHEEL OFFSET: 6.62
 SINGLE: TIRE SIZE: 445/50R22.5
 WHEEL OFFSET: .56

(K)

DISC BRAKE INFORMATION (BAR)		
COMPONENT	ROAD SIDE	CURB SIDE
(H3) EX225L BRAKE	EX225L202CD000S	EX225L201CD000S
EX225H BRAKE	EX225H202CD000S	EX225H201CD000S
TORQUE PLATE	3215Q1811	3215P1810

(HI) FOR AIR CHAMBER PORT LOCATION SEE LAYOUT 4-40072A_01

APPLY SPECIFIED MERITOR MARKINGS PER DRAFTING ENGINEERING STANDARDS D-004	THIS PRINT IS LOANED ON A CONFIDENTIAL BASIS SUBJECT TO RETURN UPON DEMAND BY MERITOR AND NOTHING HEREON MAY BE REPRODUCED, USED OR DISCLOSED IN WHOLE OR IN PART WITHOUT THE PRIOR WRITTEN PERMISSION OF MERITOR.	MATERIAL PROCESS	SEE BILL OF MATERIAL FOR SPECIFIC INDIVIDUAL MODEL INFORMATION				DRAWING SIZE E	NAME MTA23T SERIES SUSP. GROUP	PAGE 1 OF 1
			APPROVED S.S.	SPECIAL S.S.	DRAWN BY C. HOLT 11-3-10	CHECKED BY S.S. 11-3-10			
4 IN. 10THS. WEIGHT RGH. / FIN.		INQUIRY NO.	C. R. / T. E. NO. APP. NO. 116105-038	ORIGINAL FOR MTA25T	SCALE 1:4	DESIGN CONTROL GROUP W W TRAILER PRODUCTS	PART NO.	114076 RELEASE NAME MTA23T SERIES SUSP. GROUP	EDC 04627

DO NOT CHANGE MANUALLY