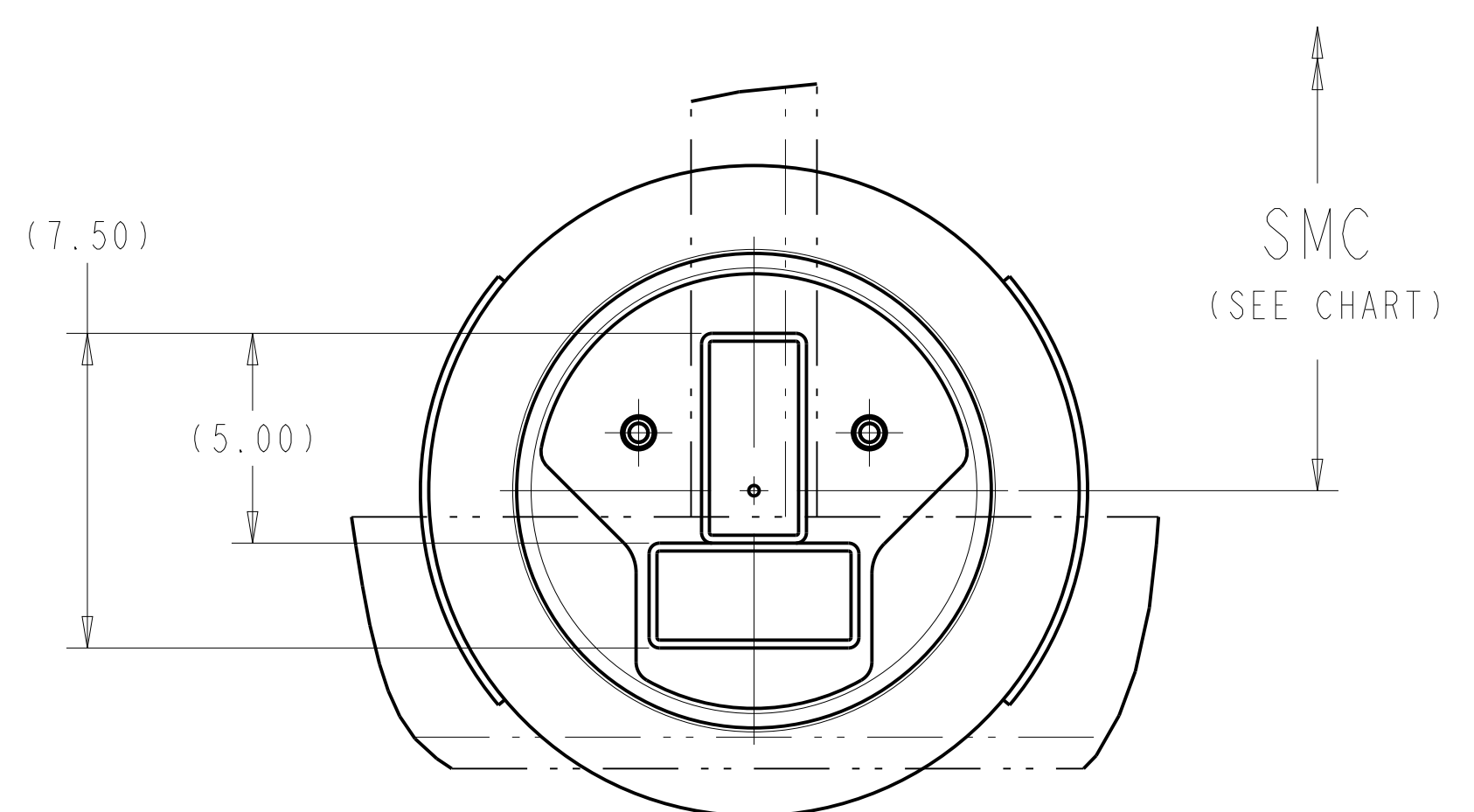
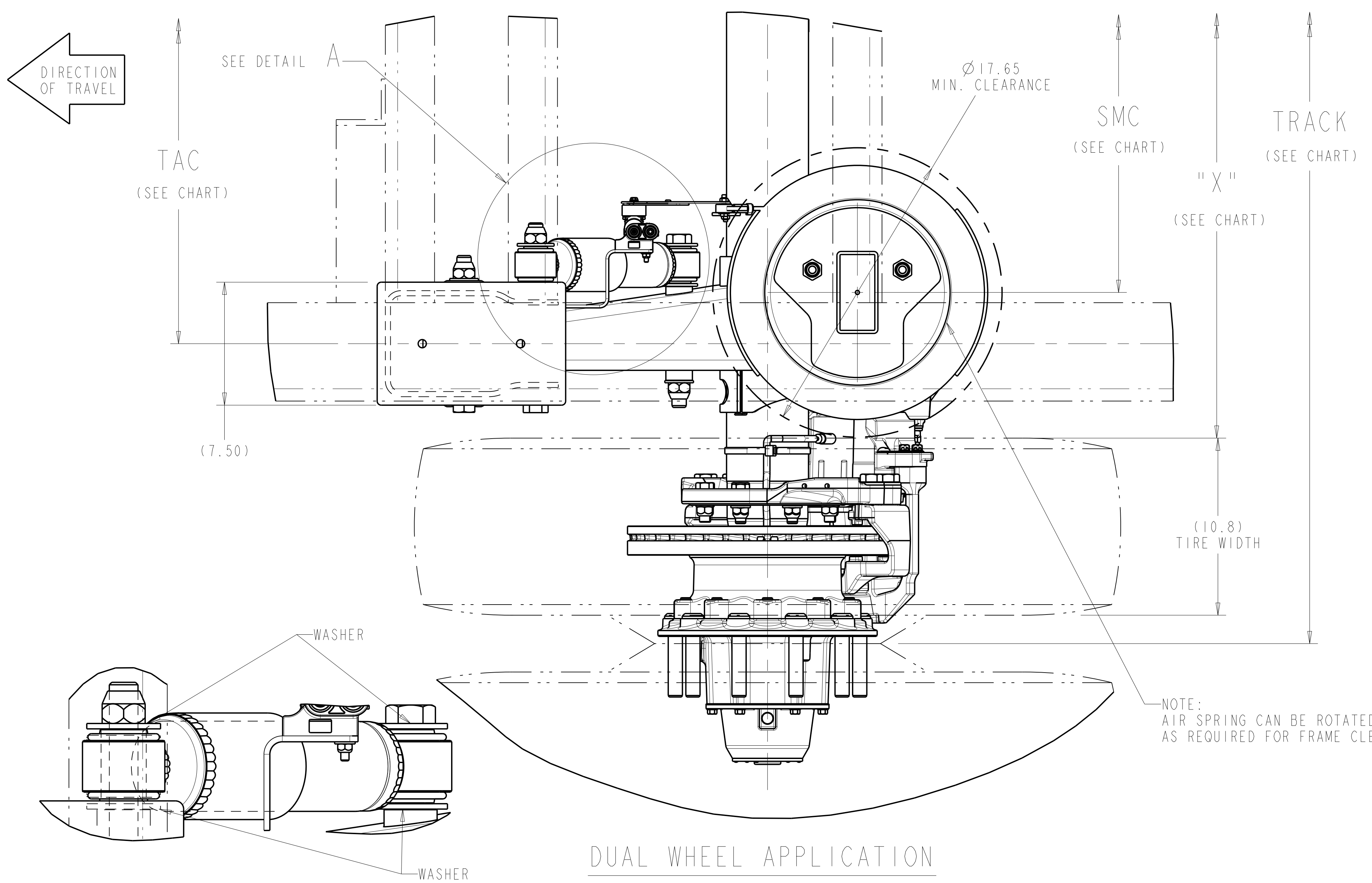
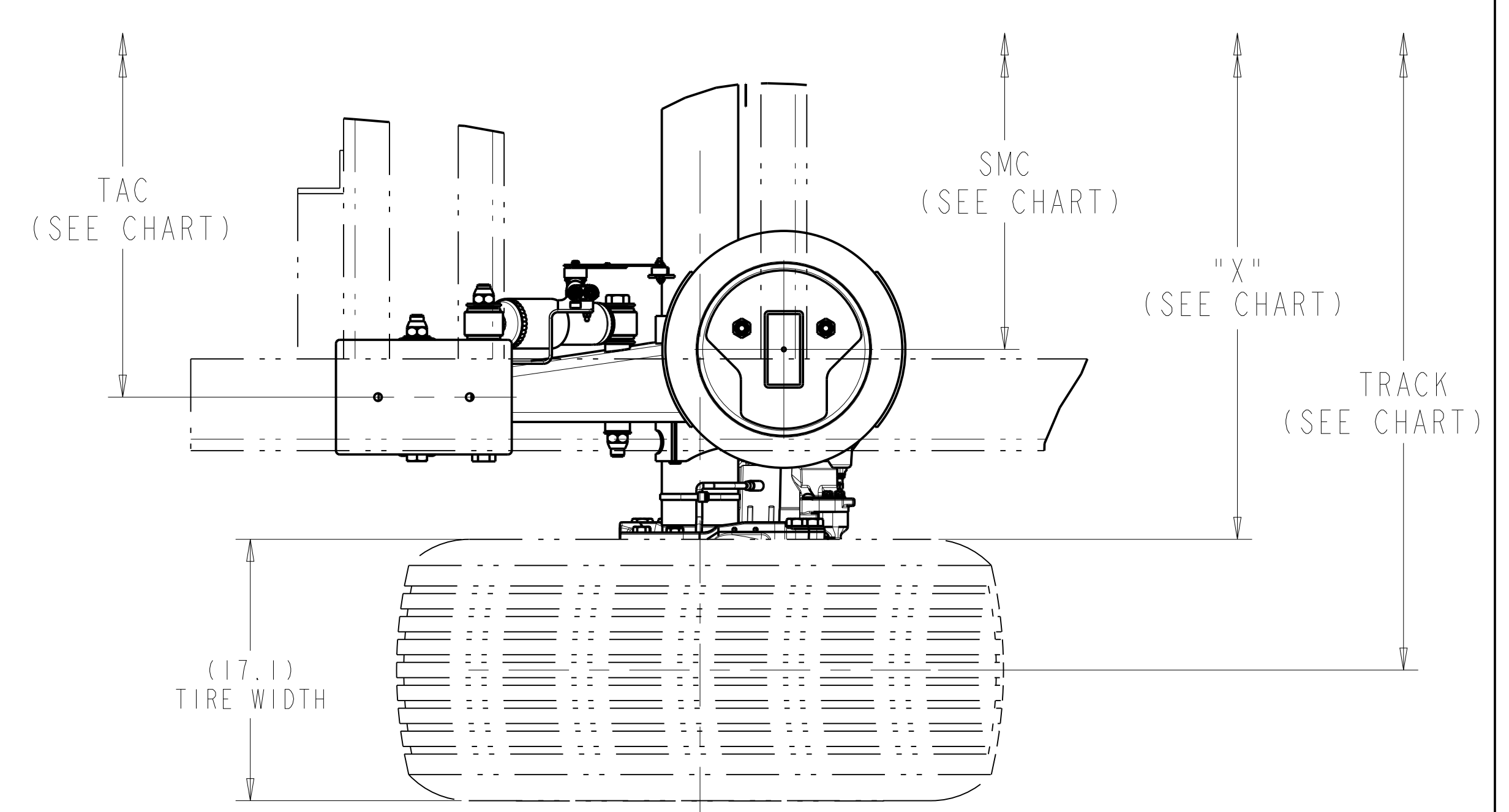


SIM. PARTS		5-67345_01	
REVISIONS			
A	RELEASE 5-67624K_01 FOR PRODUCTION.	114587	CH SS
B	REMOVED AIR CHAMBER INFO. FROM TABLES	114961	CH SS
C	SHOP CHART WAS 4-60559_09	115433	CH SS
D	UPDATED AIR CHAMBERS TO LATEST REVISION	116340	CH SS
E	WAS 1/2" FROM TOOLING HOLE	116459	CH SS
F	UPDATED LAYOUT TO SHOW 130° BAR AS STANDARD; REMOVE BAF DATA.	118409	DP SD
G	1-ADDED NOTE REGARDING AIR CHAMBER PORT LOCATION. 2-UPDATED NOTE. 3-UPDATED TABLE TO SHOW COMPLETE PART NUMBERS.	125405	SD ARS
H	ADDED OPTIONAL VIEW "B"	ECN-132874	OL SD
J	UPDATED TABLE TO CORRECT CURBSIDE AND ROADSIDE BRAKE PART NUMBERS.	ECN-136160	SRB ARS

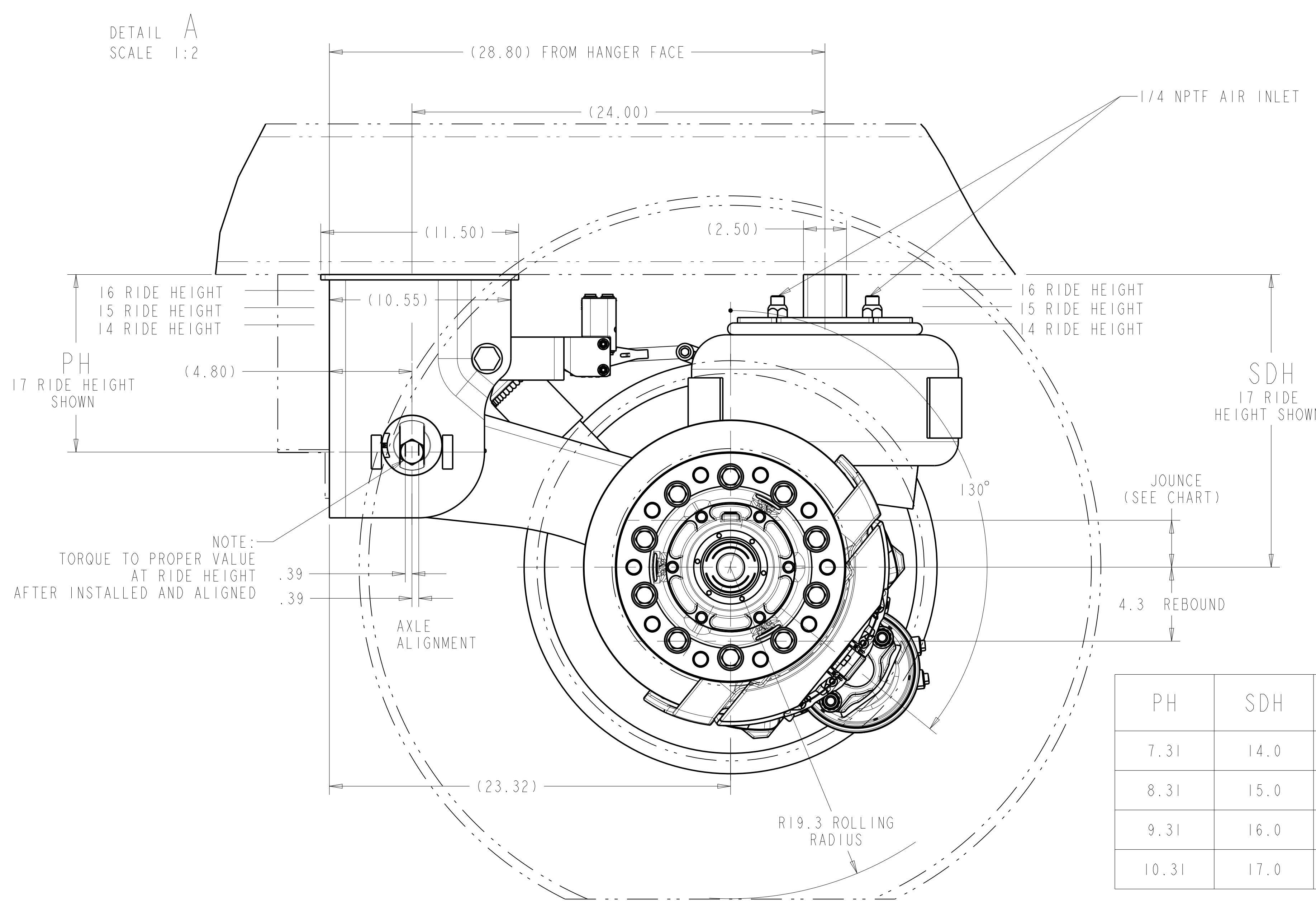
APPLICATION	TRACK REF.	"X" REF.	SMC	TAC
DUAL WHEEL	77.5	52.4	34.75	41.0
DUAL WHEEL	71.5	46.4	28.75	35.0
● SUPER SINGLE	83.5	66.4	40.75	47.0



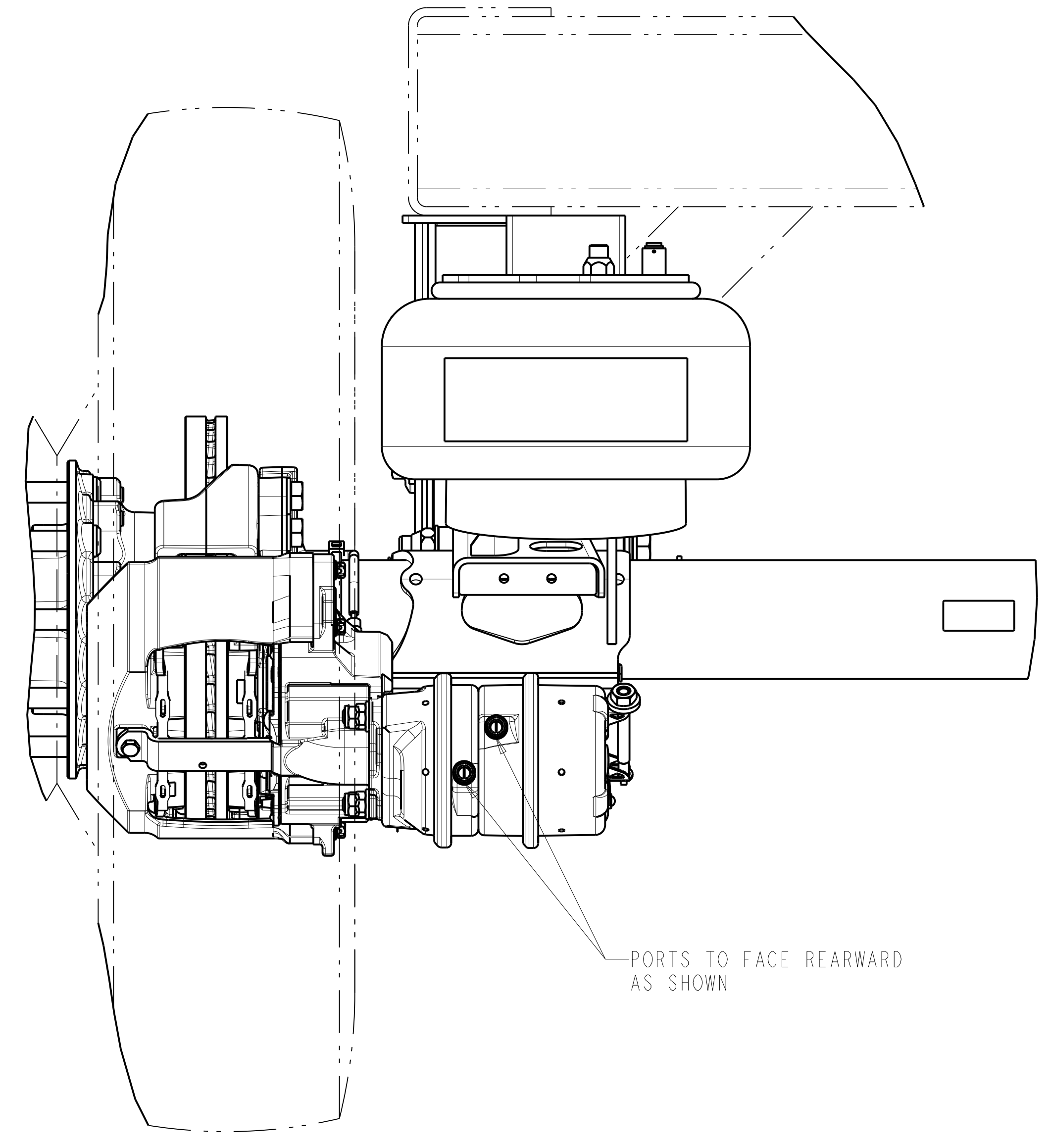
VIEW B
SCALE 1:4
OPTIONAL:
AIR SPRING BRACKET WITH TWO UPPER TUBES STYLE



SUPER SINGLE APPLICATION
SCALE 1:8



PH	SDH	RIDE HEIGHT	BOUNCE
7.31	14.0	14	2.9
8.31	15.0	15	3.1
9.31	16.0	16	3.1
10.31	17.0	17	3.1



CAD FILES		
FILE NAME	REV.	VER.
DRAWING 5-67624K	J.4	
ASSEM 5-67624K	J.2	

NOTES:

PROPER VEHICLE FRAME DESIGN IN THE AREA OF SUSPENSION ATTACHMENT IS THE RESPONSIBILITY OF THE INSTALLER.

SUSPENSION SERIES: MTA30T

SUSPENSION STATIC DESIGN CAPACITY = 30,000 LBS

● RATING BASED ON APPLICATION APPROVAL

RATINGS FOR THE COMPONENTS WITHIN AN INDIVIDUAL MERITOR SUPPLIED SUSPENSION ASSEMBLY, INCLUDING BRAKES, HUBS AND BEARINGS MAY VARY AND MAY NOT BE EQUAL TO THE NOMINAL SUSPENSION RATING.

(E) NO WELDING OR DRILLING ALLOWED ON TRAILING ARMS. NO WELD WITHIN .25 OF FRAME BRACKET TOOLING HOLES.

FOR FINAL INSTALLATION TO TRAILER REFER TO 5-67623E_01

(C) REFER TO SHOP CHART 4-60559_36 FOR TORQUE INFORMATION

DATA BASED ON:
DUAL: TIRE SIZE: 11R22.5
WHEEL OFFSET: 6.62
SINGLE: TIRE SIZE: 445/50R22.5
WHEEL OFFSET: .56

(J)

DISC BRAKE INFORMATION (BAR)		
COMPONENT	ROAD SIDE	CURB SIDE
(63) EX225L BRAKE	EX225L202CD000S	EX225L201CD000S
EX225H BRAKE	EX225H202CD000S	EX225H201CD000S
TORQUE PLATE	3215Q1811	3215P1810

(61) FOR AIR CHAMBER PORT LOCATION
SEE LAYOUT 4-40072A_01

(62) MTA30T WITH EX225 DISC BRAKE FOR WELD-ON HANGER APPLICATION
AIR CHAMBER CLOCKING 130°

	114587 RELEASE	PART/DRG NO. 5-67624K_01	EDC 04627
	NAME MTA30T SERIES SUSP. GROUP	DRAWING SIZE E	PAGE 1 OF 1
APPROVED S.S.	MATERIAL SPECIAL	DRAWN BY C.HOLT 01-10-11	CHECKED BY S.S. 01-10-11
C.F./I.E. NO. APP. NO.	INDUSTRY NO.	ORIGINAL FOR MTA30T	SCALE 1:4
DESIGN CONTROL GROUP W W TRAILER PRODUCTS	PART NO.	INCH	

DO NOT CHANGE MANUALLY