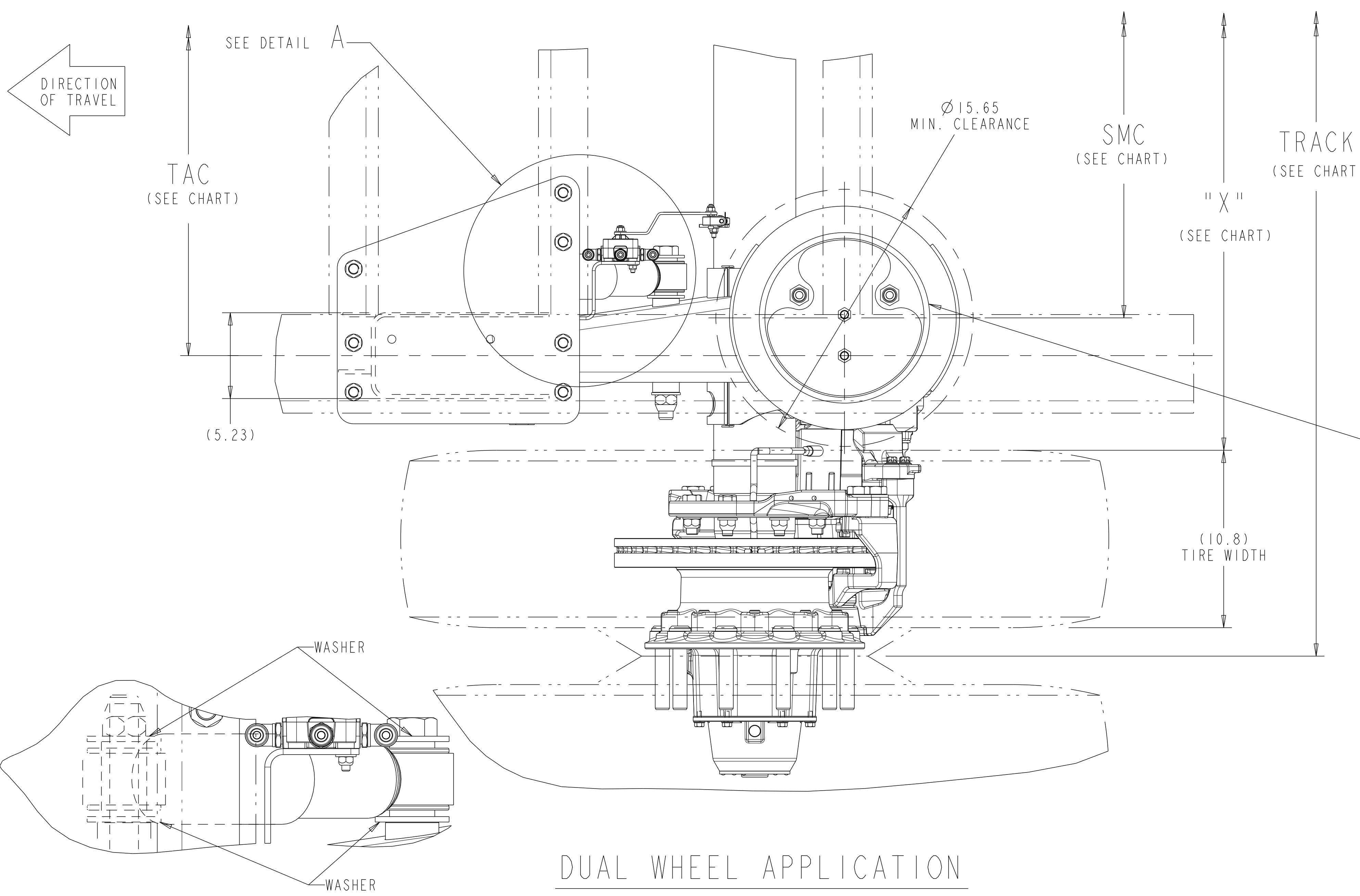


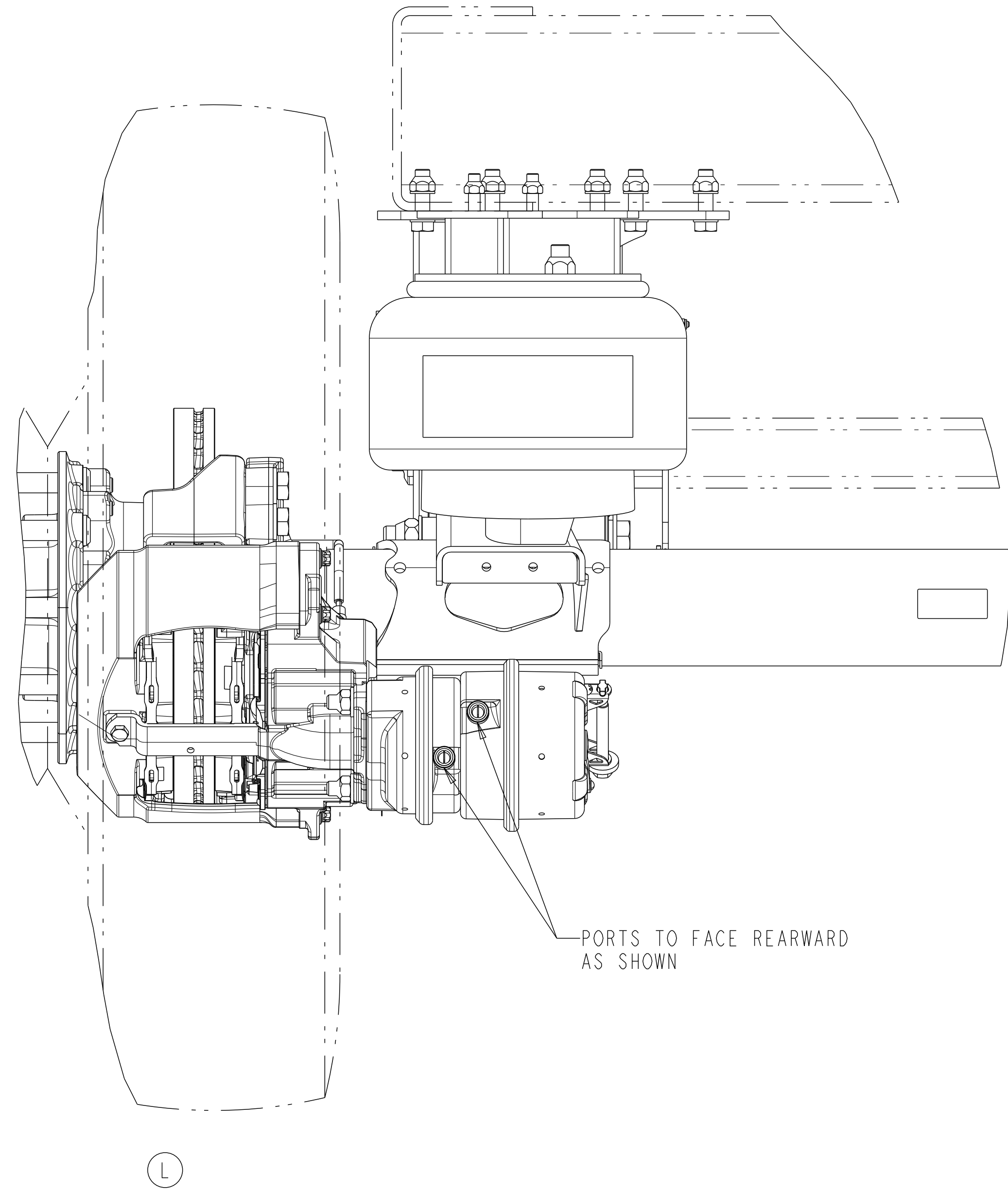
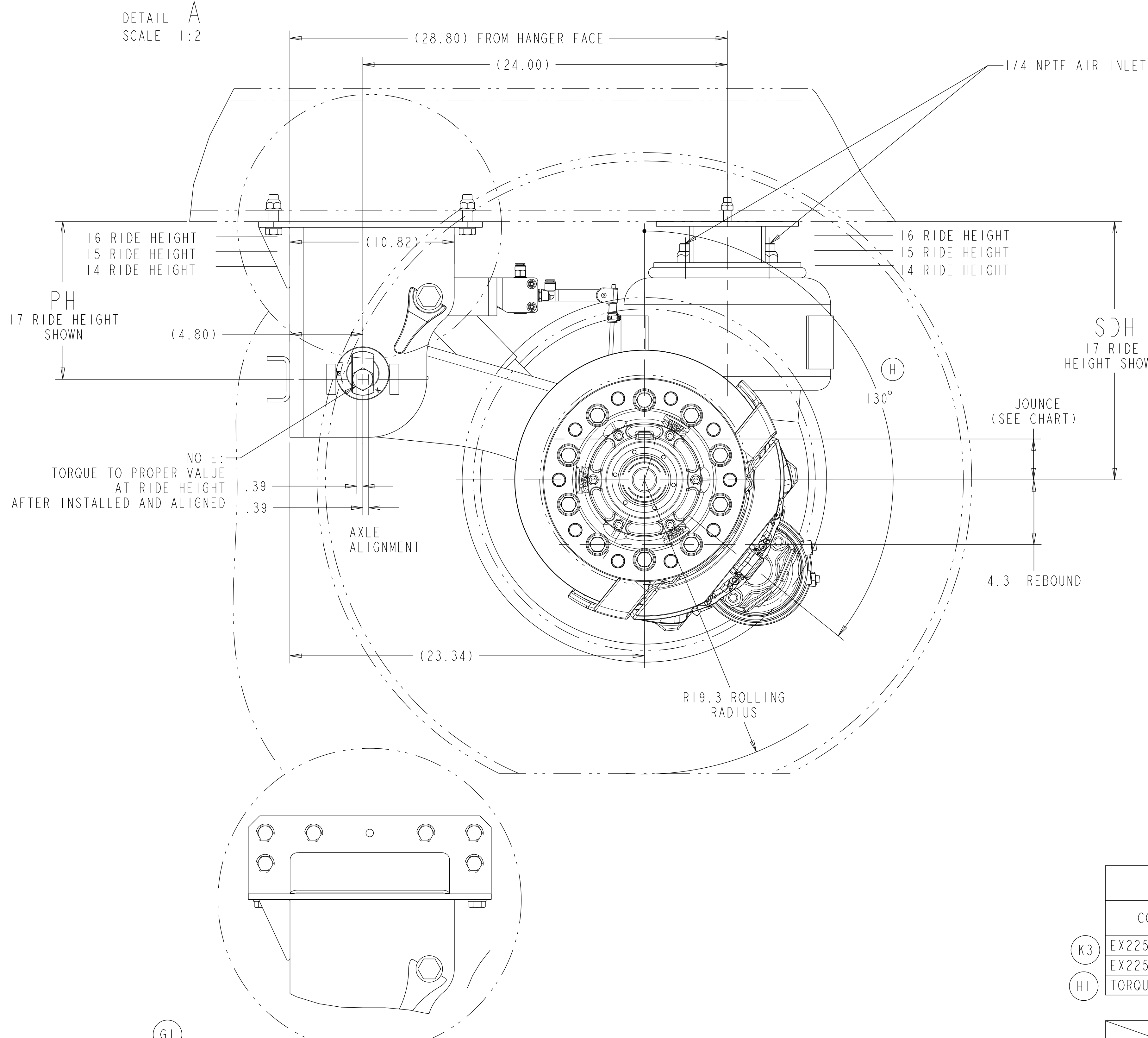
Revision: M.6  
 STATE: Engineering Released  
 EXPORT\_CONTROL: HARD\_WARE=EAR - EAR99,EXPORT\_CONTROL=EAR - EAR99

SIM. PARTS			
5-66241W_01			
REVISIONS			
G	1) REMOVED REF. HOLE PATTERN, NOW SHOWN ON 5-66241AG_01. 2) WAS 1/2" FROM TOOLING HOLE	115875 10/10/11	CH SS
H	DIMENSION WAS BAF 225°; UPDATED VIEWS TO SHOW BAR POSITION. 1-ADDED TORQUE PLATE PART NUMBERS.	118409 11-May-12	DP SD
J	ADDED SIDE MOUNT HANGER VIEW	121032 03/11/13	CH SS
K	1-ADDED NOTE REGARDING AIR CHAMBER PORT LOCATION. 2-UPDATED NOTE. 3-UPDATED TABLE TO SHOW COMPLETE PART NUMBERS.	125405 08-Dec-14	SD ARS
L	UPDATED TABLE TO CORRECT CURBSIDE AND ROADSIDE BRAKE PART NUMBERS.	ECN-136160 16-Nov-16	SRB ARS
M	UPDATED RHCV REPRESENTATION	ECN-165357 28-JUL-20	EN SD

APPLICATION	TRACK REF.	"X" REF.	SMC	TAC
DUAL WHEEL	77.5	52.4	36.4	41.0
DUAL WHEEL	71.5	46.4	30.4	35.0
● SUPER SINGLE	83.5	66.4	42.4	47.0



TYP. SHOCK INSTALLATION



SUPER SINGLE APPLICATION

SCALE 1:8

PH	SDH	RIDE HEIGHT	JOUNCE
7.38	14.0	14	2.9
8.38	15.0	15	2.9
9.38	16.0	16	3.1
10.38	17.0	17	3.1

CAD FILES		
FILE NAME	REV.	VER.
DRAWING 5-66241Z	M.6	
ASSEM 5-66241Z	M.5	

NOTES:

PROPER VEHICLE FRAME DESIGN IN THE AREA OF SUSPENSION ATTACHMENT IS THE RESPONSIBILITY OF THE INSTALLER.

SUSPENSION SERIES: MTA23T

SUSPENSION STATIC DESIGN CAPACITY = 23,000 LBS

● RATING BASED ON APPLICATION APPROVAL

RATINGS FOR THE COMPONENTS WITHIN AN INDIVIDUAL MERITOR SUPPLIED SUSPENSION ASSEMBLY, INCLUDING BRAKES, HUBS AND BEARINGS MAY VARY AND MAY NOT BE EQUAL TO THE NOMINAL SUSPENSION RATING.

Ⓜ NO WELDING OR DRILLING ALLOWED ON TRAILING ARMS. NO WELD WITHIN .25 OF FRAME BRACKET TOOLING HOLES.

FOR FINAL INSTALLATION TO TRAILER REFER TO 5-66240L\_01 & 5-66241AG\_01

REFER TO SHOP CHART 4-60559\_37 FOR TORQUE INFORMATION

DATA BASED ON:  
 DUAL: TIRE SIZE: 11R22.5  
 WHEEL OFFSET: 6.62  
 SINGLE: TIRE SIZE: 445/50R22.5  
 WHEEL OFFSET: .56

DISC BRAKE INFORMATION		
COMPONENT	ROAD SIDE	CURB SIDE
EX225L BRAKE	EX225L202CD000S	EX225L201CD000S
EX225H BRAKE	EX225H202CD000S	EX225H201CD000S
TORQUE PLATE	3215Q1811	3215P1810

Ⓚ1 FOR AIR CHAMBER PORT LOCATION SEE LAYOUT 4-40072A\_01

Ⓚ2 MTA23T WITH EX225 DISC BRAKE FOR BOLT-ON HANGER APPLICATION AIR CHAMBER CLOCKING 130°

APPLY SPECIFIED MERITOR MARKINGS PER DRAFTING ENGINEERING STANDARDS D-004

THIS PRINT IS LOANED ON A CONFIDENTIAL BASIS SUBJECT TO RETURN UPON DEMAND BY MERITOR AND NOTHING HEREON MAY BE REPRODUCED, USED OR DISCLOSED IN WHOLE OR IN PART WITHOUT THE PRIOR WRITTEN PERMISSION OF MERITOR.

MATERIAL: SEE BILL OF MATERIAL FOR SPECIFIC INDIVIDUAL MODEL INFORMATION

APPROVED: [Signature]

PROCESS: [Signature]

PROJ. ENG. S.S. [Signature]

DRAWN BY: H.N. 28-May-10

CHECKED BY: C.H. 28-May-10

3RD ANGLE PROJECTION

C.H. 28-May-10

SCALE: 1:4

DESIGN CONTROL GROUP: W W TRAILER PRODUCTS

PART NO.: 5-66241Z\_01

EDC: 04627

NAME: MTA23T SERIES SUSP. GROUP

PAGE 1 OF 1

**MERITOR** INCH

DO NOT CHANGE MANUALLY