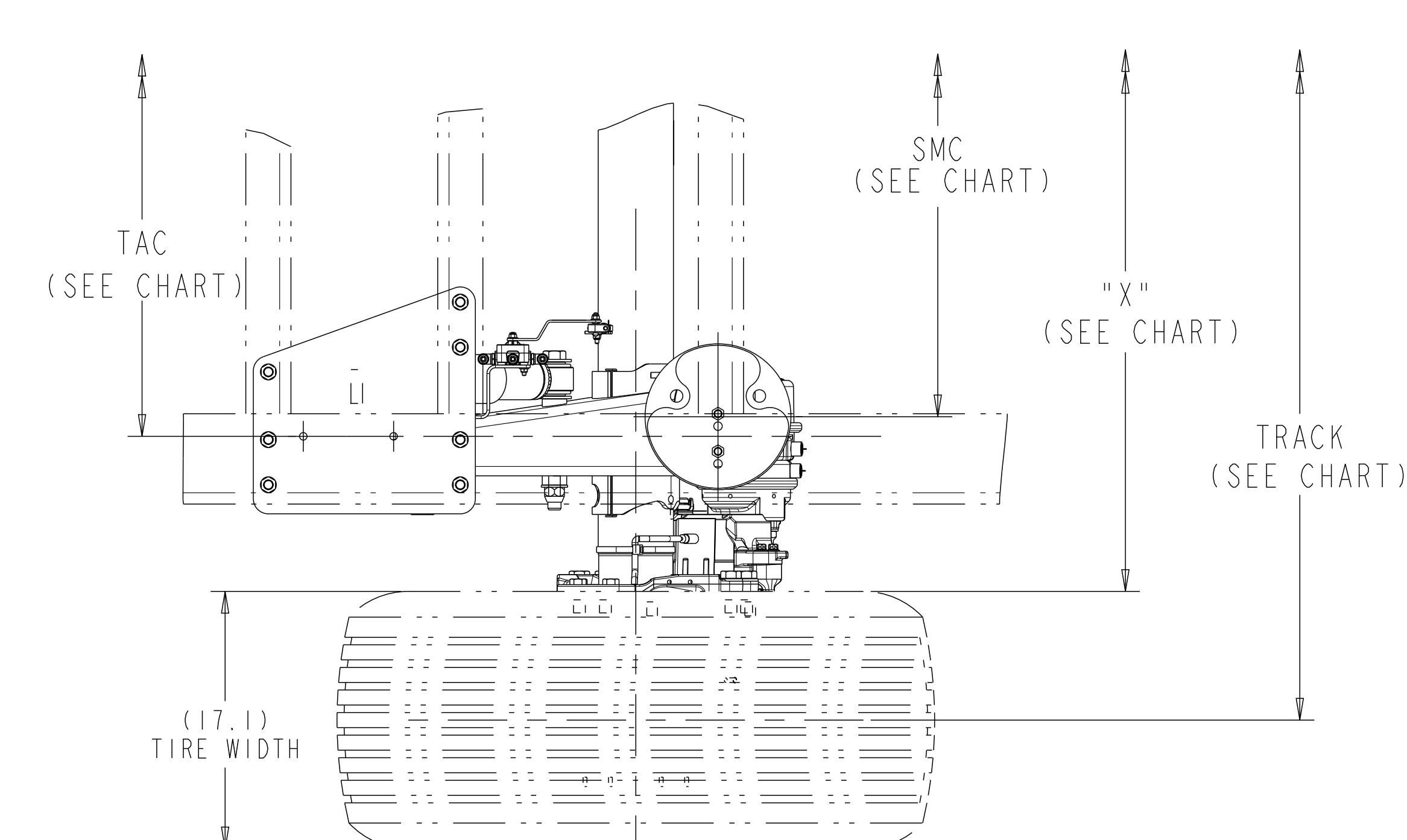
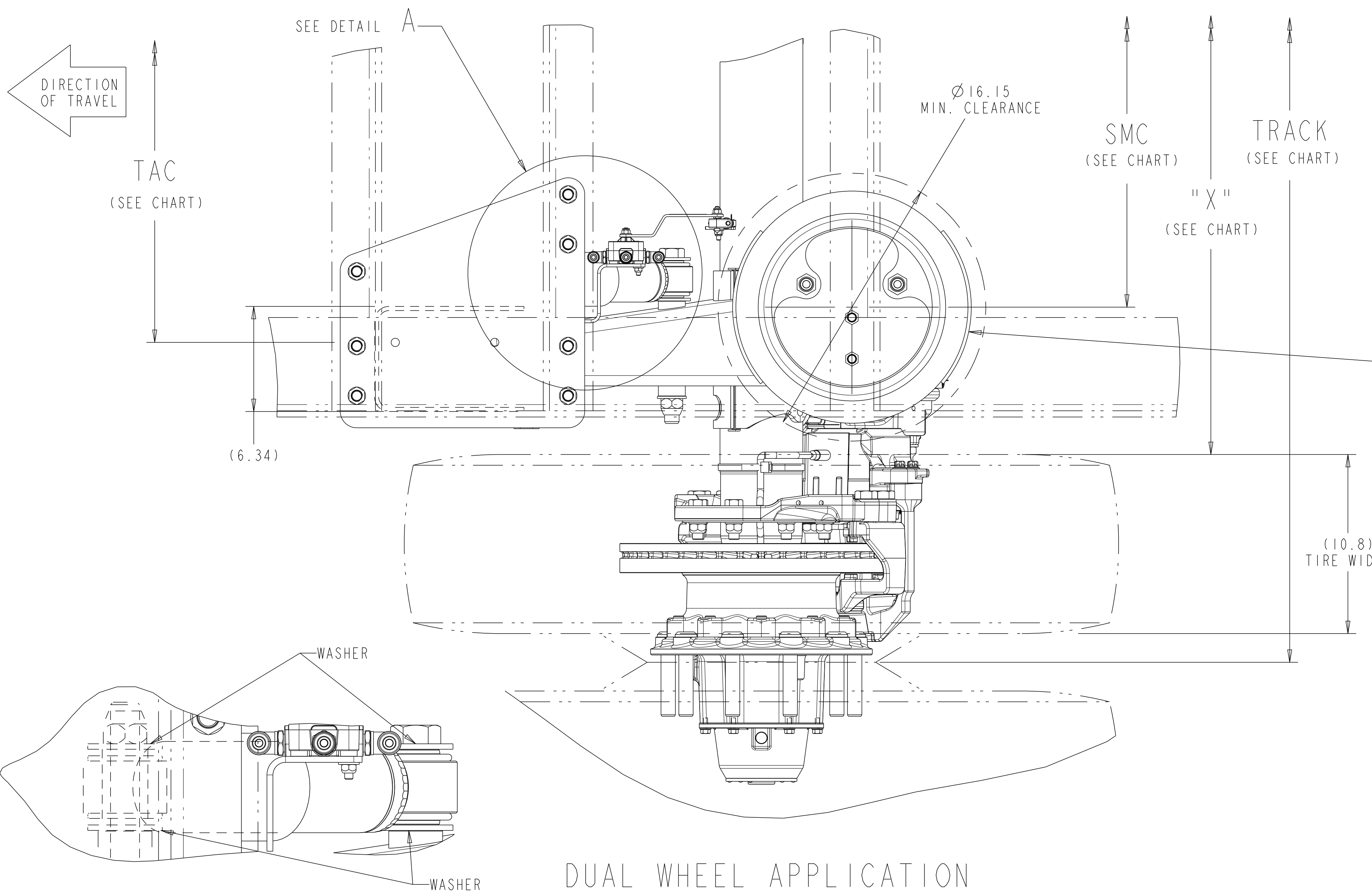
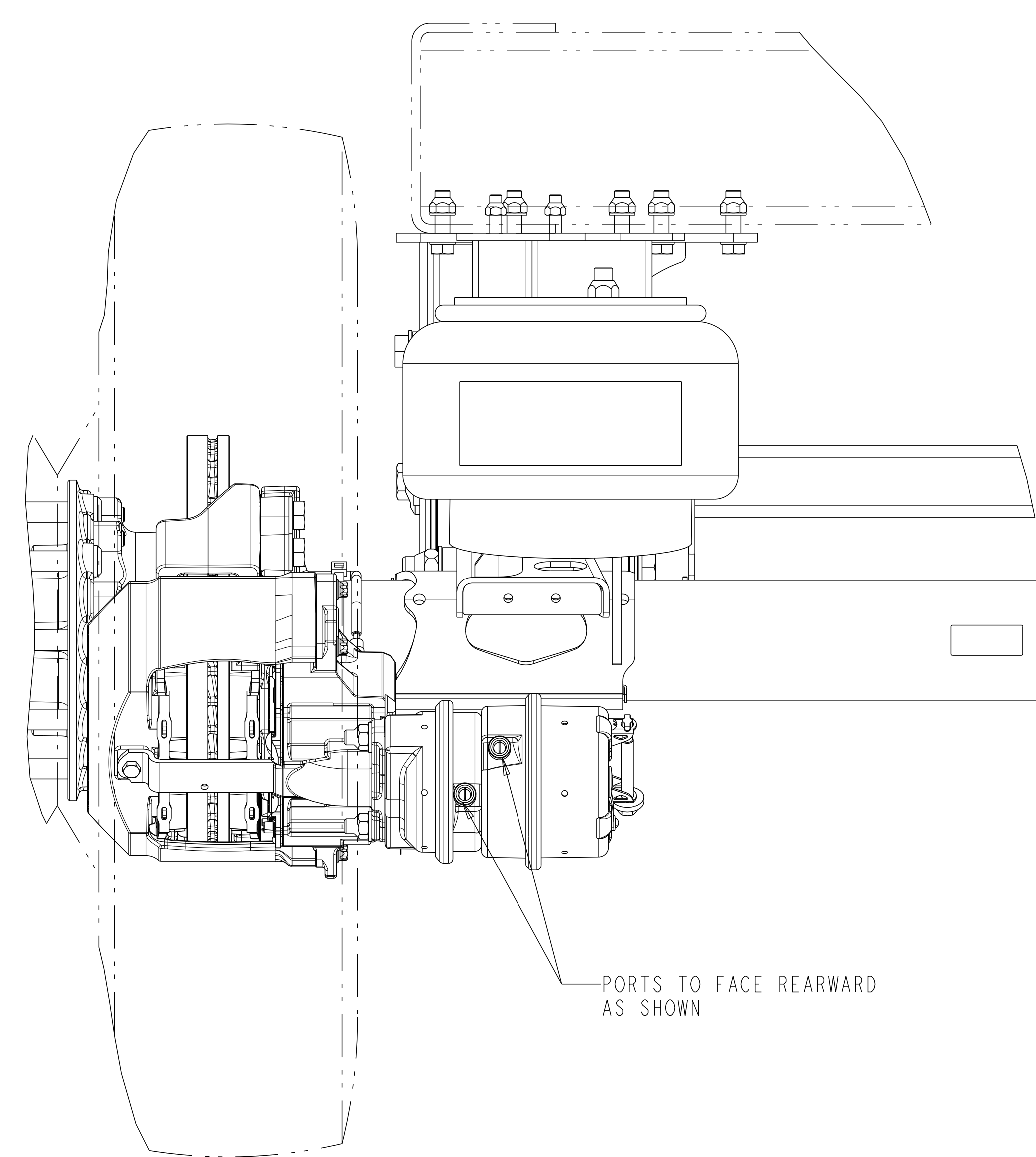
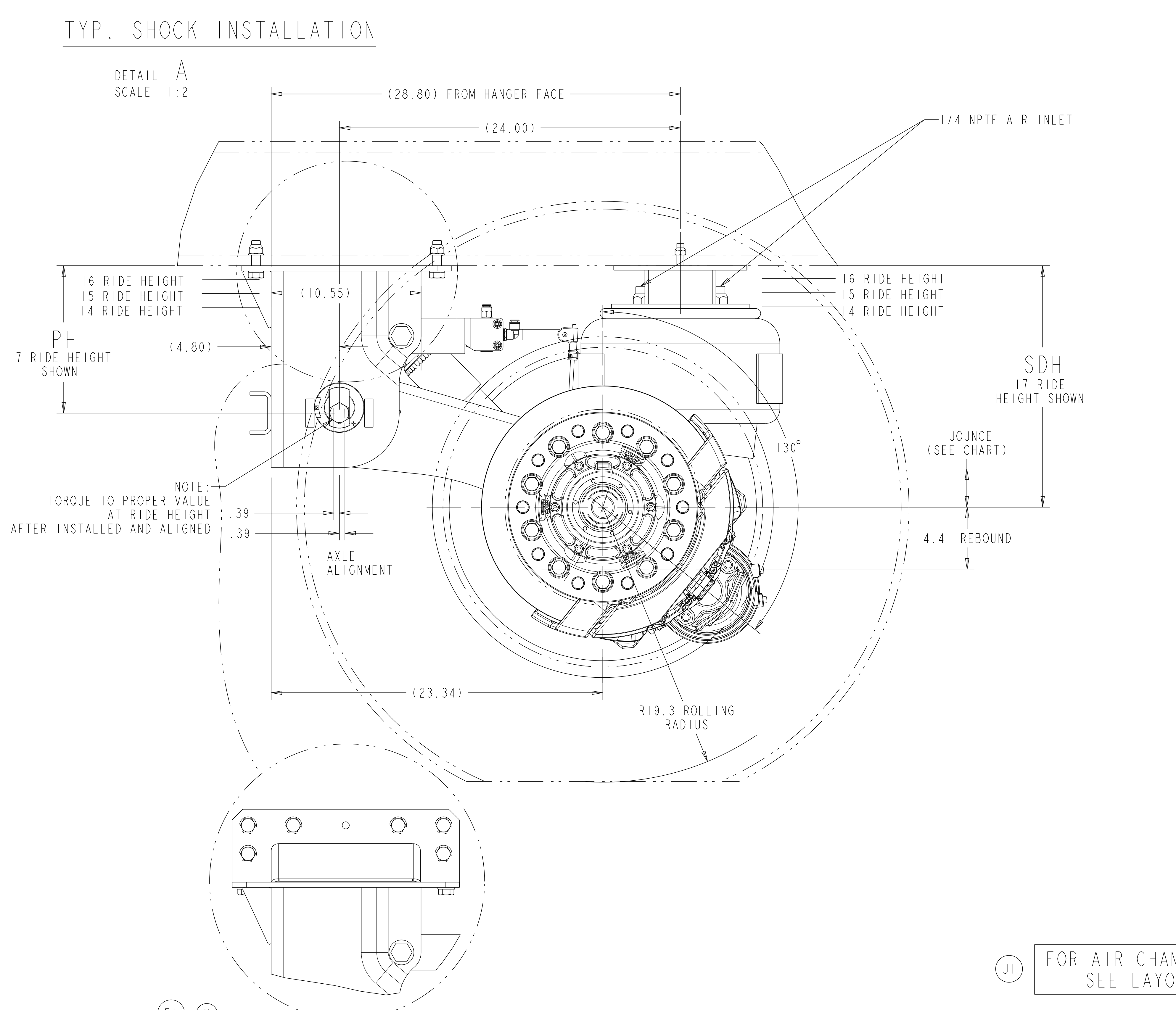


SIM. PARTS		5-66241W_01	
REVISIONS			
F	1) REMOVED REF. HOLE PATTERN, NOW SHOWN ON 5-66241AG_01, 2) WAS 1/2" FROM TOOLING HOLE	116459 10/10/11	CH SS
G	UPDATED LAYOUT TO SHOW 130° BAR AS STANDARD; REMOVED BAF DATA.	118409 02-May-12	DP SD
H	ADDED SIDE MOUNT HANGER VIEW	121032 03/11/13	CH SS
J	1-ADDED NOTE REGARDING AIR CHAMBER PORT LOCATION, 2-UPDATED NOTE, 3-UPDATED TABLE TO SHOW COMPLETE PART NUMBERS.	125405 08-Dec-14	SD ARS
K	UPDATED TABLE TO CORRECT CURBSIDE AND ROADSIDE BRAKE PART NUMBERS.	ECN-136160 17-Nov-16	SRB ARS
L	UPDATED RHCV REPRESENTATION	ECN-165357 30-JUL-20	EN SD

APPLICATION	TRACK REF.	"X" REF.	SMC	TAC
DUAL WHEEL	77.5	52.4	34.75	41.0
DUAL WHEEL	71.5	46.4	28.75	35.0
● SUPER SINGLE	83.5	66.4	40.75	47.0



PH	SDH	RIDE HEIGHT	JOUNCE
7.38	14.0	14	2.9
8.38	15.0	15	2.9
9.38	16.0	16	3.1
10.38	17.0	17	3.1



CAD FILES		
FILE NAME	REV.	VER.
DRAWING 5-66734R	L.6	
ASSEM 5-66734R	L.6	

NOTES:

PROPER VEHICLE FRAME DESIGN IN THE AREA OF SUSPENSION ATTACHMENT IS THE RESPONSIBILITY OF THE INSTALLER.

SUSPENSION SERIES: MTA25T

SUSPENSION STATIC DESIGN CAPACITY = 25,000 LBS

● RATING BASED ON APPLICATION APPROVAL

RATINGS FOR THE COMPONENTS WITHIN AN INDIVIDUAL MERITOR SUPPLIED SUSPENSION ASSEMBLY, INCLUDING BRAKES, HUBS AND BEARINGS MAY VARY AND MAY NOT BE EQUAL TO THE NOMINAL SUSPENSION RATING.

(F2) NO WELDING OR DRILLING ALLOWED ON TRAILING ARMS. NO WELD WITHIN .25 OF FRAME BRACKET TOOLING HOLES.

FOR FINAL INSTALLATION TO TRAILER REFER TO 5-66733F_01 & 5-66241AG_01

REFER TO SHOP CHART 4-60559_37 FOR TORQUE INFORMATION

DATA BASED ON:
 DUAL: TIRE SIZE: 11R22.5
 WHEEL OFFSET: 6.62
 SINGLE: TIRE SIZE: 445/50R22.5
 WHEEL OFFSET: .56

DISC BRAKE INFORMATION (BAR)		
COMPONENT	ROAD SIDE	CURB SIDE
EX225L BRAKE	EX225L202CD000S	EX225L201CD000S
EX225H BRAKE	EX225H202CD000S	EX225H201CD000S
TORQUE PLATE	321501811	3215P1810

(J1) FOR AIR CHAMBER PORT LOCATION SEE LAYOUT 4-40072A_01

(J2) MTA25T WITH EX225 DISC BRAKE FOR BOLT-ON HANGER APPLICATION AIR CHAMBER CLOCKING 130°

APPLY SPECIFIED MERITOR MARKINGS PER DRAFTING ENGINEERING STANDARDS D-004	THIS PRINT IS LOANED ON A CONFIDENTIAL BASIS SUBJECT TO RETURN UPON DEMAND BY MERITOR AND NOTHING HEREON MAY BE REPRODUCED, USED OR DISCLOSED IN WHOLE OR IN PART WITHOUT THE PRIOR WRITTEN PERMISSION OF MERITOR.	MATERIAL	SEE BILL OF MATERIAL FOR SPECIFIC INDIVIDUAL MODEL INFORMATION			PART/DWG NO. 5-66734R-01	EDC 04627
		PROCESS	APPROVED	DRAWN BY	CHECKED BY	NAME MTA25T SERIES SUSP. GROUP	PAGE 1 OF 1
4 IN. 10THS. 100MM		WEIGHT 16712677.307 LBS	INQUIRY NO. 116105-038	C.R./T.E. NO. 11-3-10	ORIGINAL FOR MTA25T	DRAWING SIZE E	DESIGN CONTROL GROUP W W TRAILER PRODUCTS
MERITOR		INCH		SCALE 1:4			

DO NOT CHANGE MANUALLY