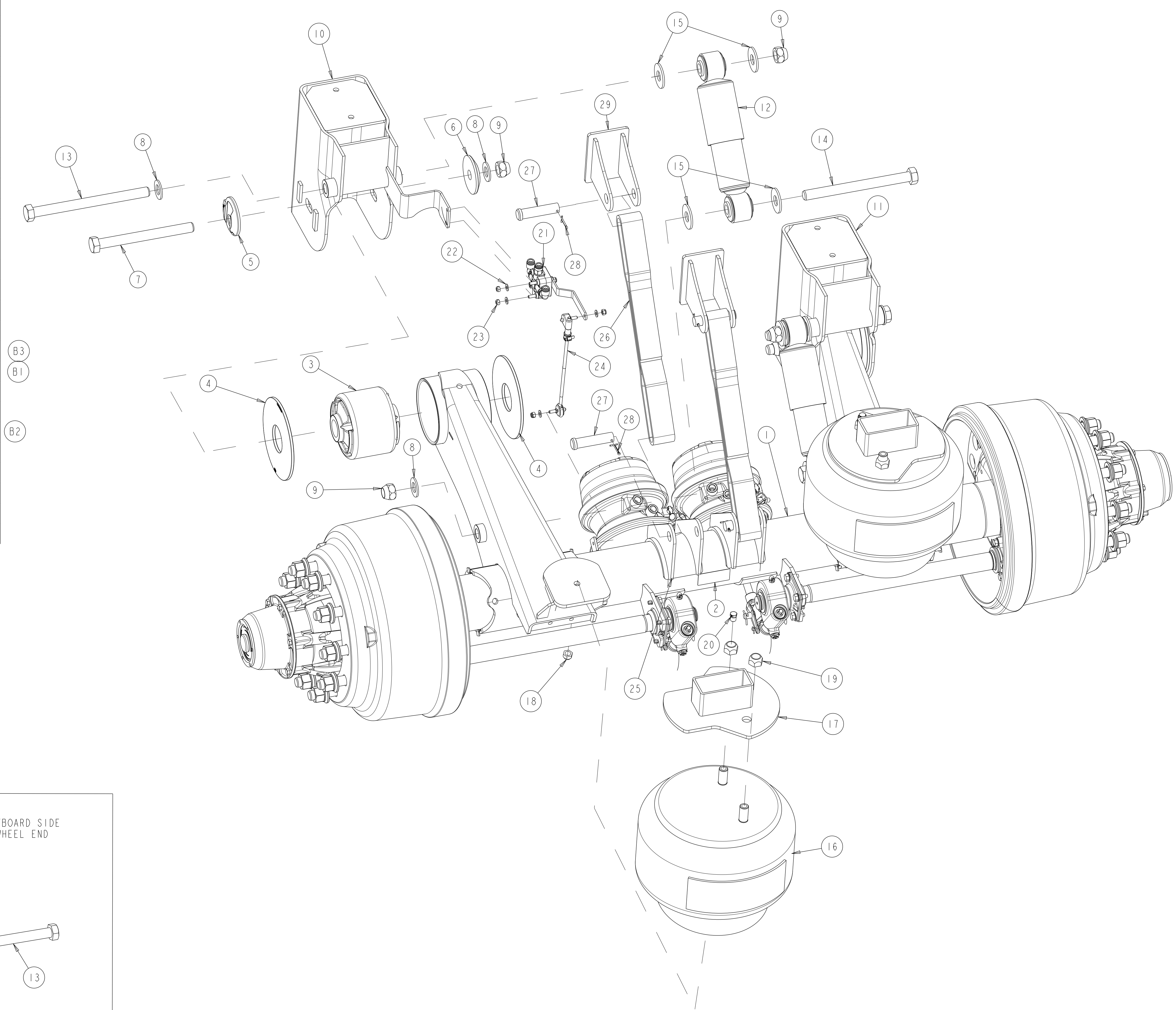


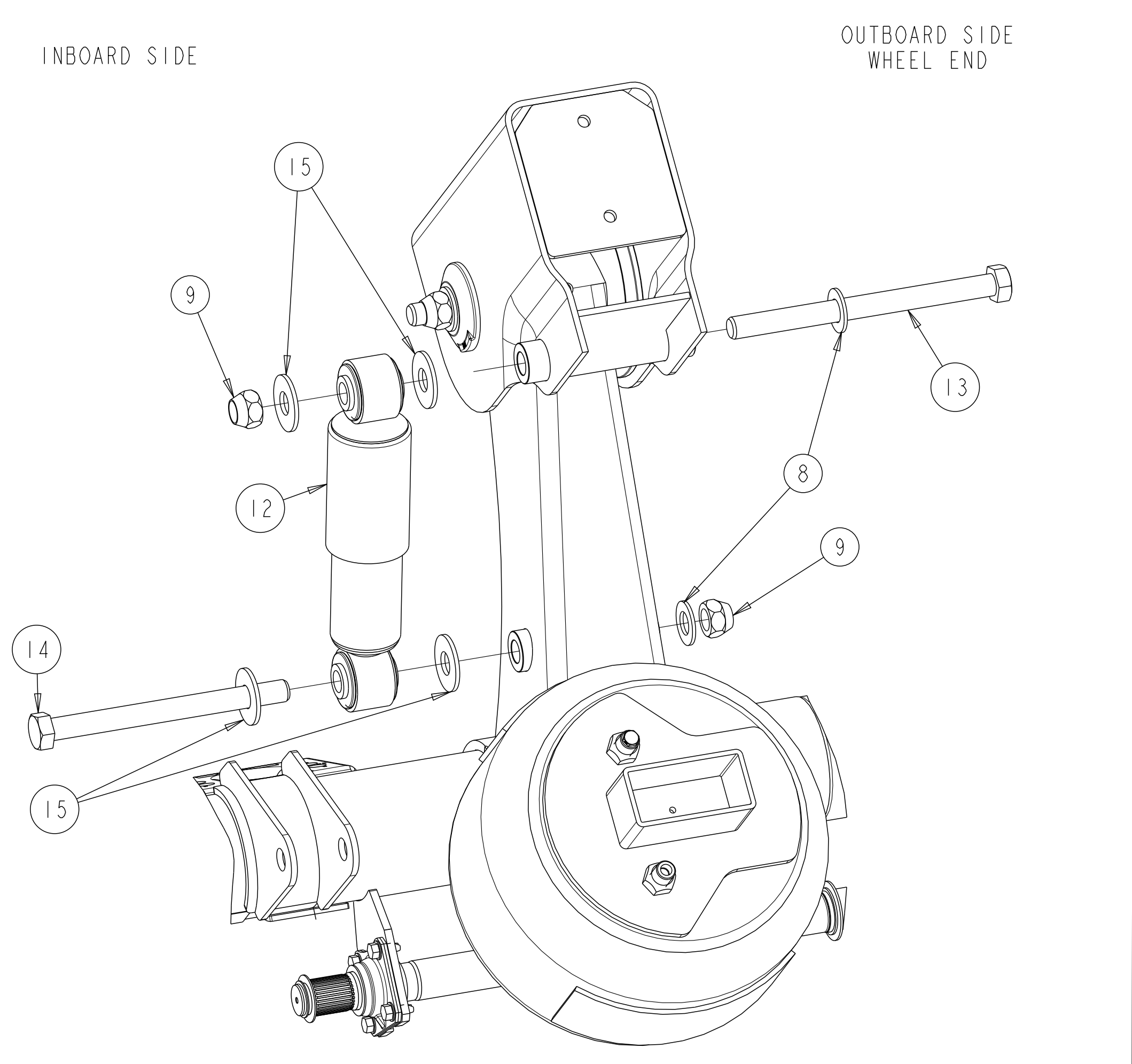
SIM. PARTS		5-67937M_01	
REVISIONS			
A	RELEASED 5-67937M_01 FOR PRODUCTION.	122507 14-Jan-14	KHK VMR
B	1- ITEM #21 UPDATED RHC REPRESENTATION 2- ITEM #24 PN WAS 203159-5 3- ITEM #20 QTY WAS 4	ECN-167907 15-JUN-20	VMJ SD

ITEM #	PART NAME	PART NUMBER	QTY.
-	LAYOUT - MTA25T EXPLODE	5-67937M_01	1
*1	AXLE ASSY-TRAILER	SEE BILL OF MATERIAL	1
2	NAME PLATE	2297T8652	1
3	PIVOT BUSH MOULDING	A-1225C1537	2
4	WEAR WASHER	21226663	4
5	WASHER ECCENTRIC	21226276	2
6	WASHER SPECIAL	21226275	2
7	SCREW-CAP (.875-9 UNC X 9)	S-21472-M-2	2
8	WASHER-HARDENED	200259-6	6
9	NUT-LOCK,FIN	1227R1604	6
10	FRAME BRKT-LH	SEE BILL OF MATERIAL	1
11	FRAME BRKT-RH	SEE BILL OF MATERIAL	1
12	ABSORBER-SHOCK	A-7805F1020	2
13	SCREW-CAP (.875-9 UNC X 11)	S-21488-M-2	2
14	SCREW-CAP (.875-9 UNC X 10)	S-21480-M-2	2
15	WASHER-FLAT	1229M4979	8
16	SPRING-AIR	A-2258P1576	2
17	AIR SPRING PEDESTAL	SEE BILL OF MATERIAL	2
18	NUT-LOCK,FIN	1227B1614	2
19	NUT-LOCK,FIN	1227M1573	4
20	PLUG	1250H1308	2
21	VALVE-HEIGHT CONTROL	SEE BILL OF MATERIAL	1
22	WASHER-FLAT	WA-34	2
23	NUT-LOCK,FIN.	NL-24-1	2
24	LINKAGE-HEIGHT CONTROL	A-1245X1220	1
25	BRACKET	A-3155K1441	2
26	STRAP	1199P4046	2
27	PIN	19X1190	4
28	COTTER PIN	K-2412	4
29	BRACKET	A1-3155W1453	2



\* AXLE ASSY-TRAILER INCLUDES ITEM #25

CAD FILES		
FILE NAME	REV.	VER
DRAWING 5-67937M	B.5	
ASSEM 5-67937M	B.5	



SHOCK INSTALLATION  
COMPONENTS HIDDEN FOR CLARITY

DO NOT CHANGE MANUALLY

**MTA25T SUSPENSION  
WITH CHECK STRAPS**

122507	PART/DWG NO. 5-67937M_01	EDC 11707																		
RELEASE	NAME LAYOUT - MTA25T EXPLODE	PAGE 1 OF 1																		
<table border="1"> <tr> <th>APPROVED</th> <th>DRAWN BY</th> <th>CHECKED BY</th> <th>3RD ANGLE PROJECTION</th> </tr> <tr> <td>S.S.</td> <td>V.M.R.</td> <td>K.H.K.</td> <td></td> </tr> <tr> <td colspan="2">14-Jan-14</td> <td>14-Jan-14</td> <td></td> </tr> </table>		APPROVED	DRAWN BY	CHECKED BY	3RD ANGLE PROJECTION	S.S.	V.M.R.	K.H.K.		14-Jan-14		14-Jan-14		<table border="1"> <tr> <th>DRAWING SIZE</th> <th>DESIGN CONTROL GROUP</th> <th>PART NO.</th> </tr> <tr> <td>E</td> <td>W W TRAILER PRODUCTS</td> <td></td> </tr> </table>	DRAWING SIZE	DESIGN CONTROL GROUP	PART NO.	E	W W TRAILER PRODUCTS	
APPROVED	DRAWN BY	CHECKED BY	3RD ANGLE PROJECTION																	
S.S.	V.M.R.	K.H.K.																		
14-Jan-14		14-Jan-14																		
DRAWING SIZE	DESIGN CONTROL GROUP	PART NO.																		
E	W W TRAILER PRODUCTS																			
<table border="1"> <tr> <th>PROJ. ENG.</th> <th>MATERIAL</th> <th>SPECIAL</th> </tr> <tr> <td>S.S.</td> <td></td> <td></td> </tr> </table>		PROJ. ENG.	MATERIAL	SPECIAL	S.S.			<table border="1"> <tr> <th>SCALE</th> <th>INCH</th> </tr> <tr> <td>1:4</td> <td></td> </tr> </table>	SCALE	INCH	1:4									
PROJ. ENG.	MATERIAL	SPECIAL																		
S.S.																				
SCALE	INCH																			
1:4																				
<table border="1"> <tr> <th>C. R. / T. E. NO.</th> <th>APP. NO.</th> <th>INQUIRY NO.</th> </tr> <tr> <td>PCCR 128544</td> <td></td> <td></td> </tr> </table>		C. R. / T. E. NO.	APP. NO.	INQUIRY NO.	PCCR 128544			<table border="1"> <tr> <th>4 IN. 10THS.</th> <th>WEIGHT</th> </tr> <tr> <td></td> <td>RGH. / FIN.</td> </tr> </table>	4 IN. 10THS.	WEIGHT		RGH. / FIN.								
C. R. / T. E. NO.	APP. NO.	INQUIRY NO.																		
PCCR 128544																				
4 IN. 10THS.	WEIGHT																			
	RGH. / FIN.																			