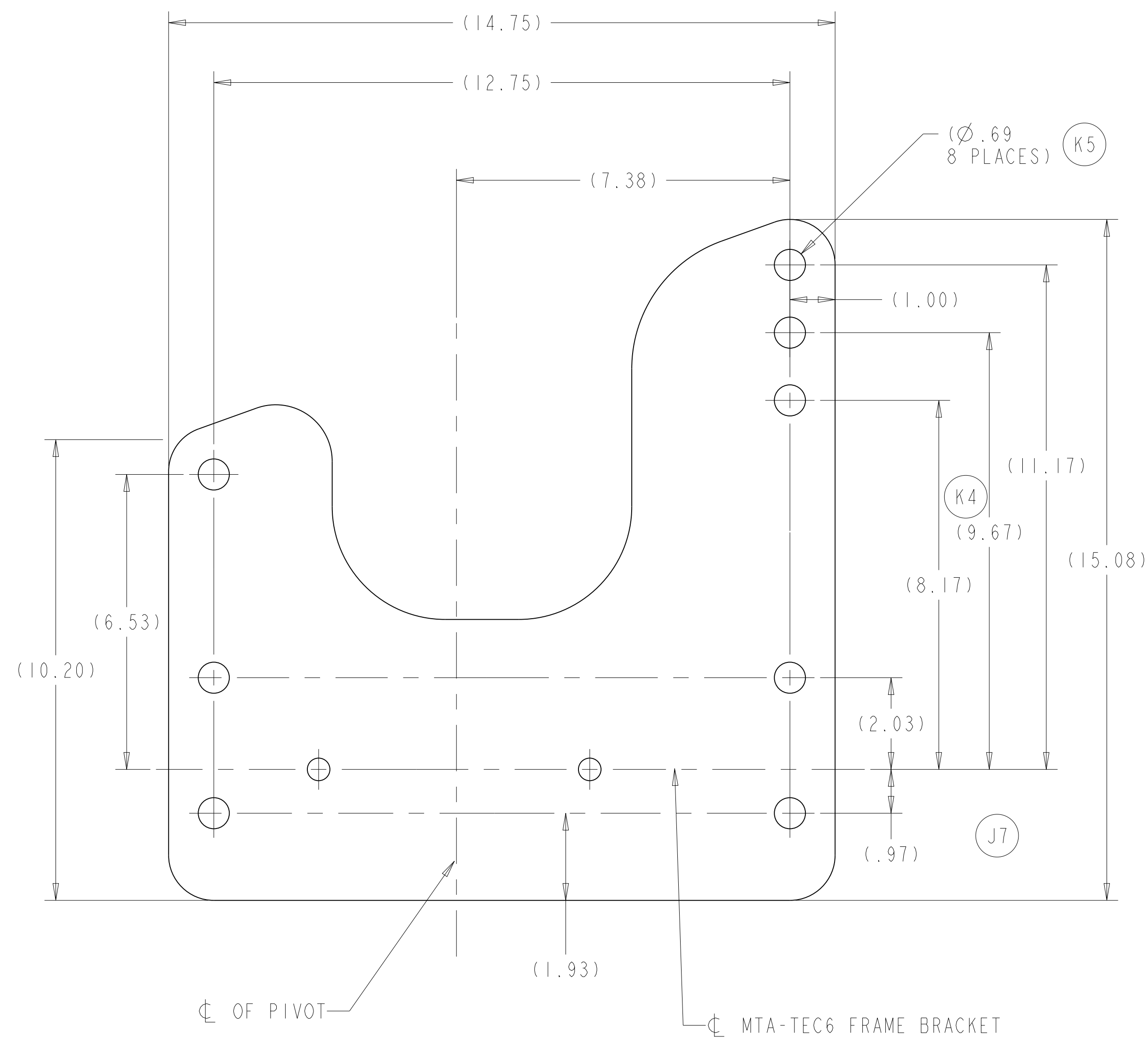
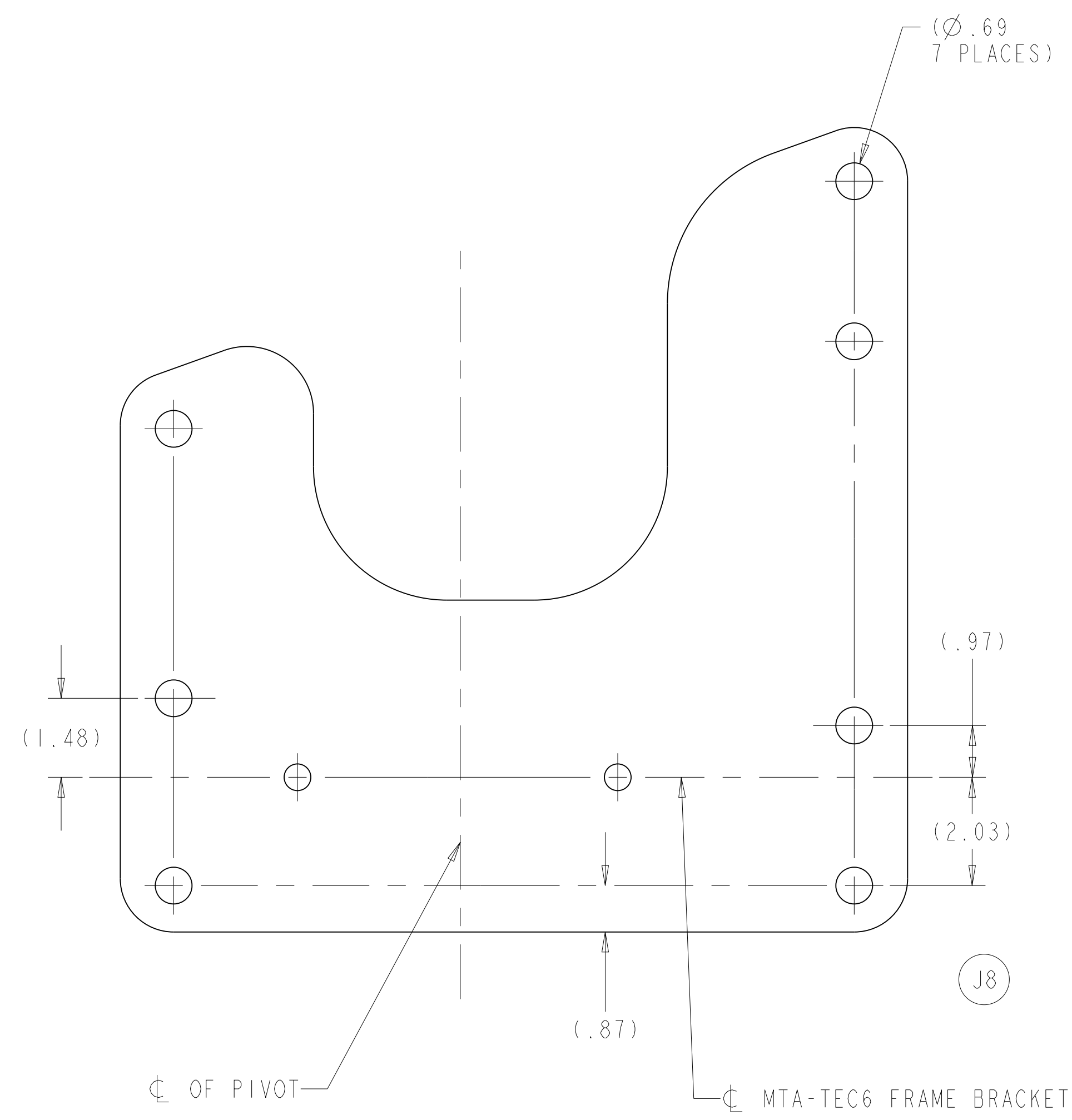


ROADSIDE FRAME BRACKET SHOWN

HOLE PATTERN: S#STANDARD

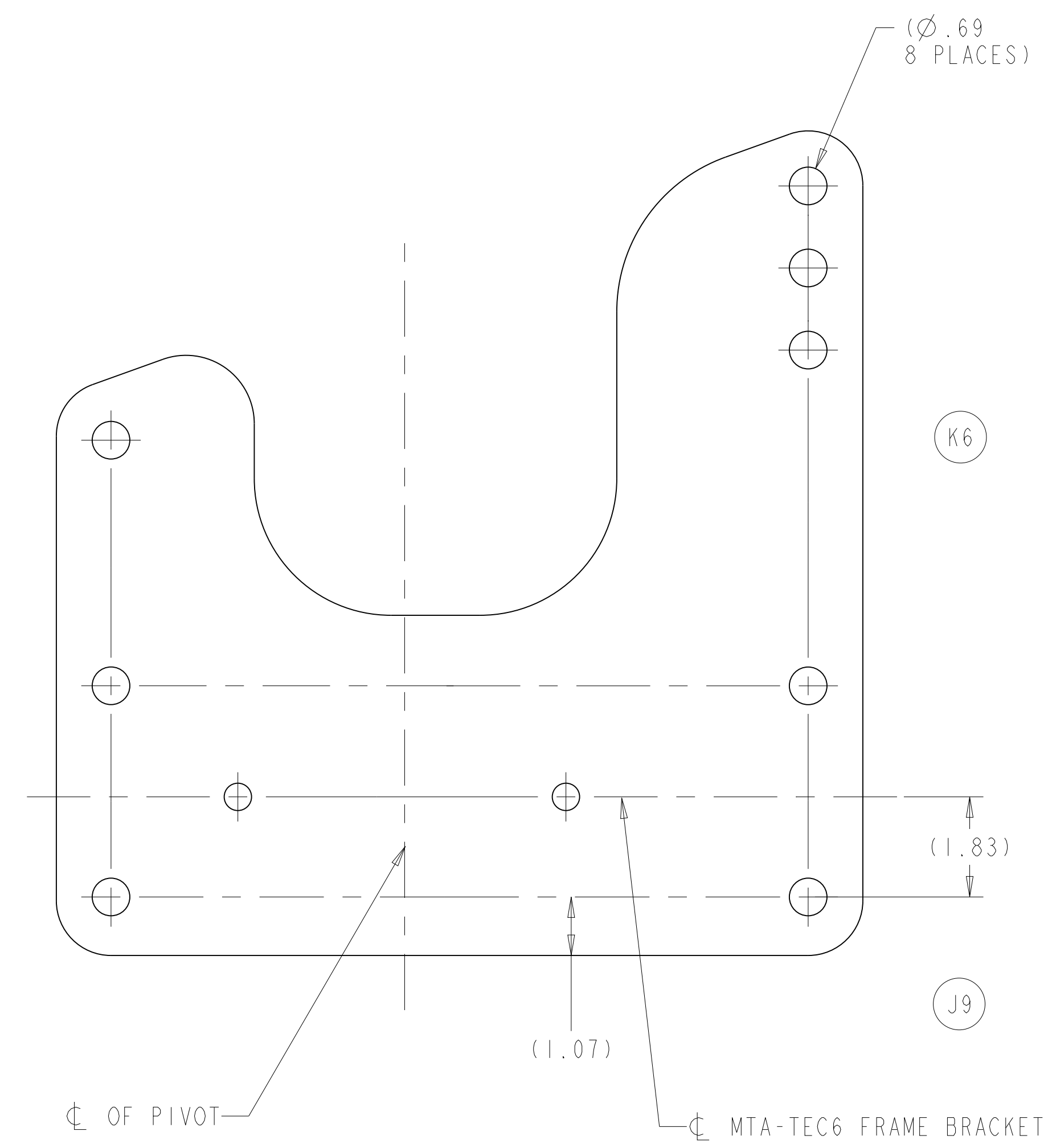


HOLE PATTERN: S#1



(ALL OTHER INFO. SEE S#STANDARD)

HOLE PATTERN: S#3

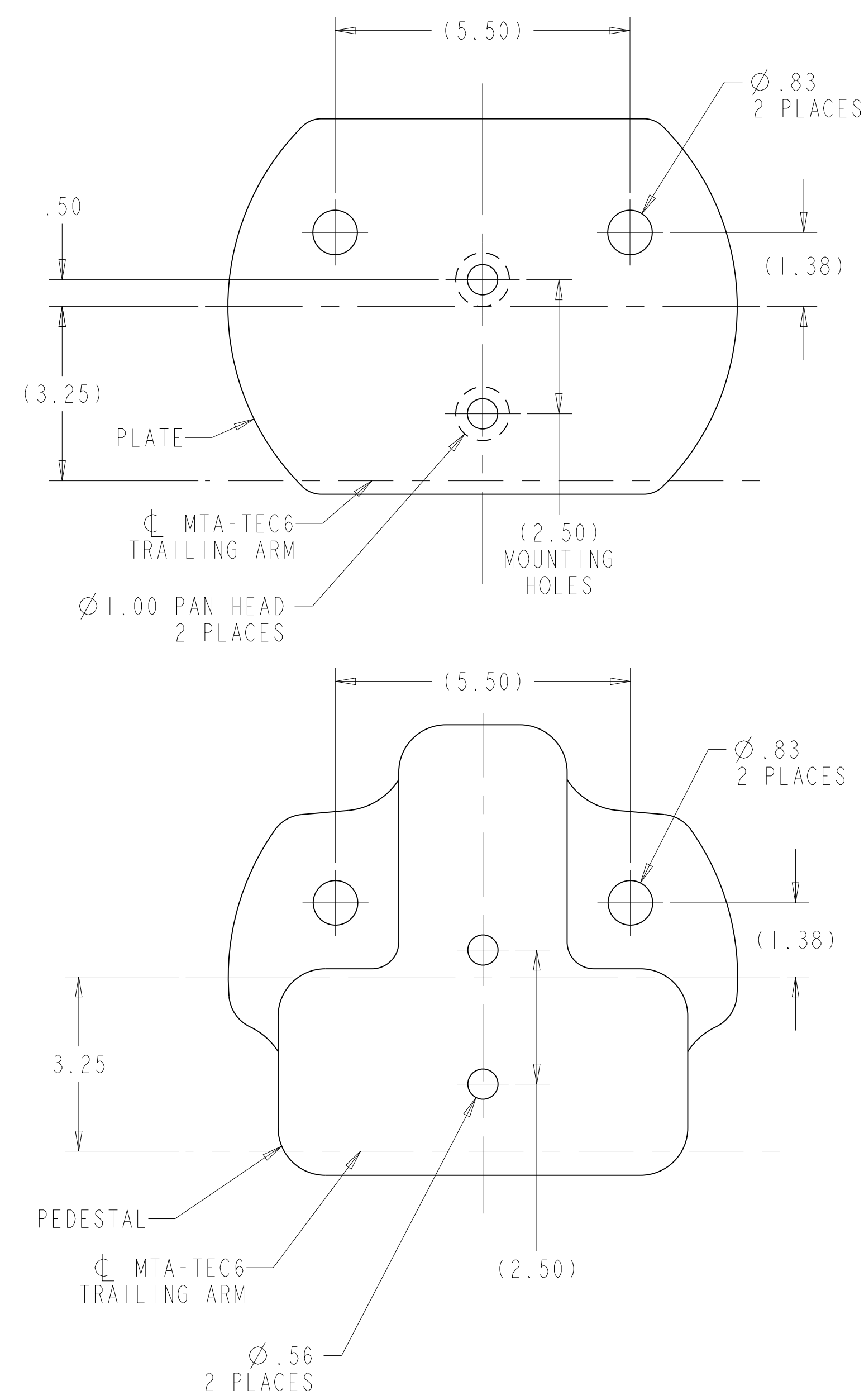


(FOR ALL OTHER INFO. SEE S#STANDARD)

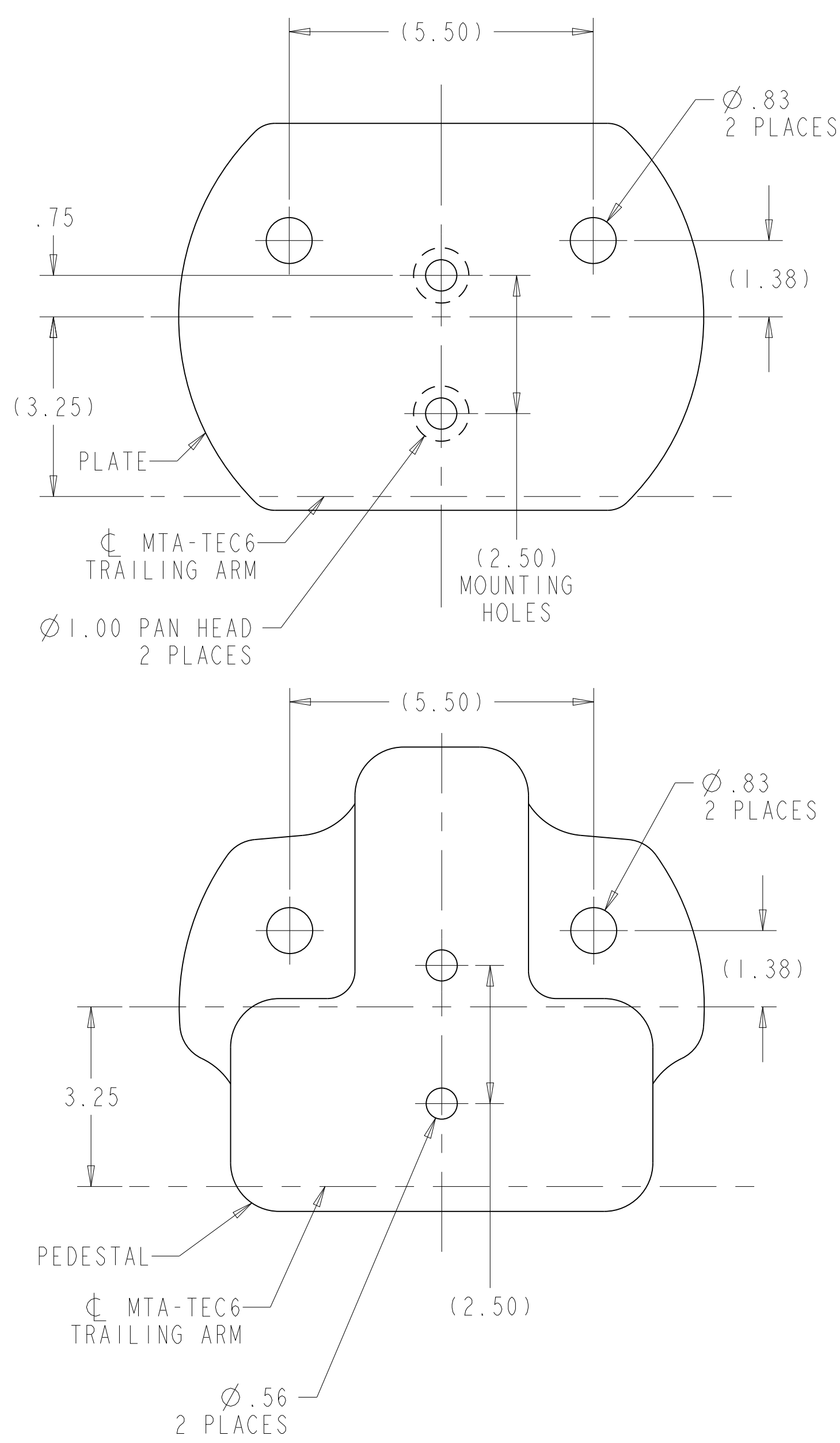
| REVISONS | | 3305U1581 | |
|----------|---|-------------------------|-----------|
| G | ADDED MTA-TEC6-23T PEDESTAL HOLE PATTERN VIEWS | ECN-132746 01-JUL-16 | SKS SS |
| H | 3-ADDED MTA-TEC6-23L TOP PLATE PATTERN VIEWS 4-UPDATED NOTE | ECN-141857 24-JAN-18 | LGS NB |
| J | 7-9)ADDED REFERENCE DIMENSIONS | ECN-147394 22-MAR-18 | CH MS |
| K | UPDATED PICTORIAL REPRESENTATION TO AGREE WITH CURRENT TOP PLATE 4-ADDED DIMENSION 5-UPDATED HOLE NOTE 6-REMOVED DIMENSION | ECN-158974 09-MAY-19 | EB SRB |

ROADSIDE UPPER AIR SPRING PEDESTAL SHOWN

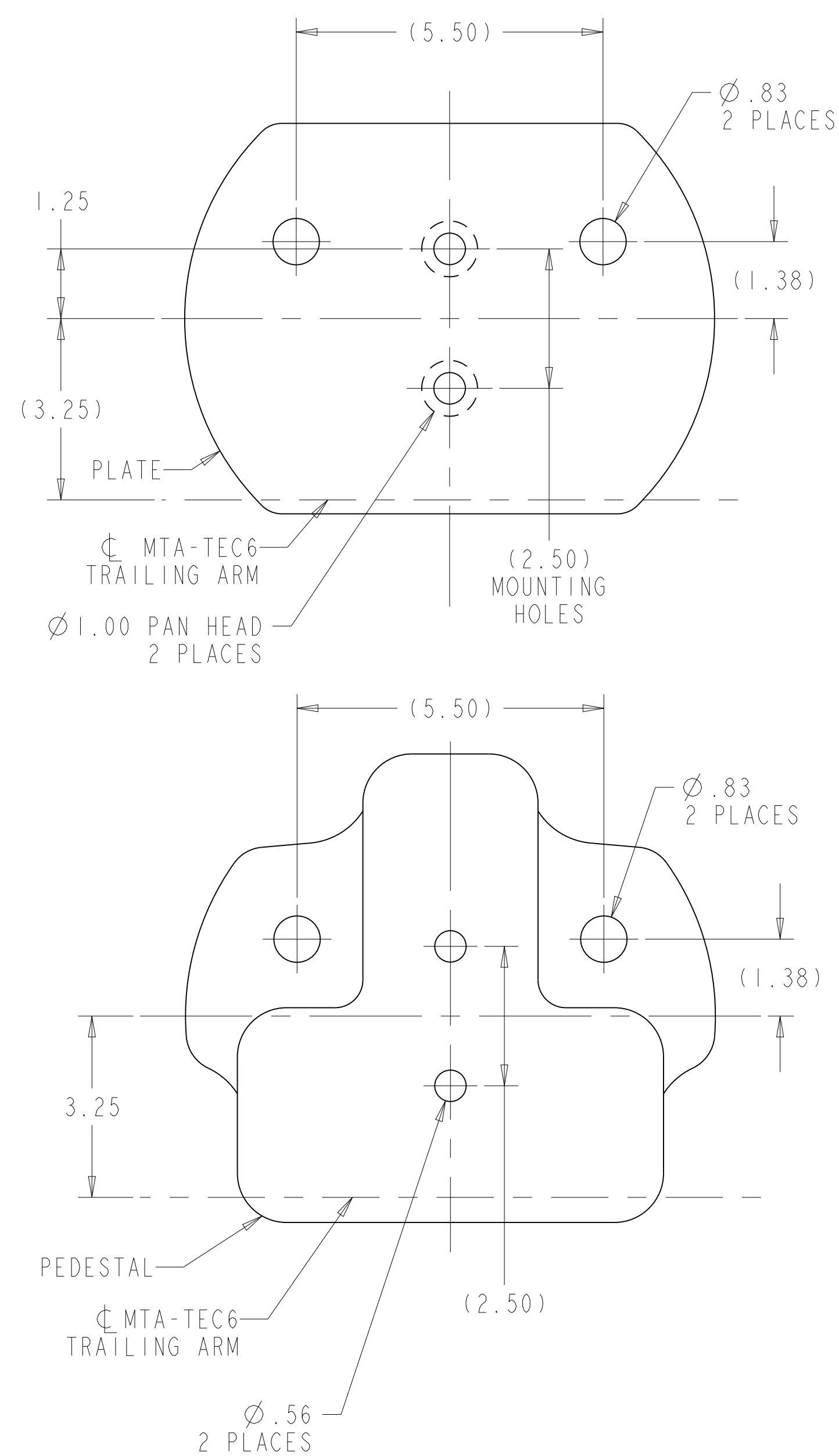
HOLE PATTERN: S#STANDARD



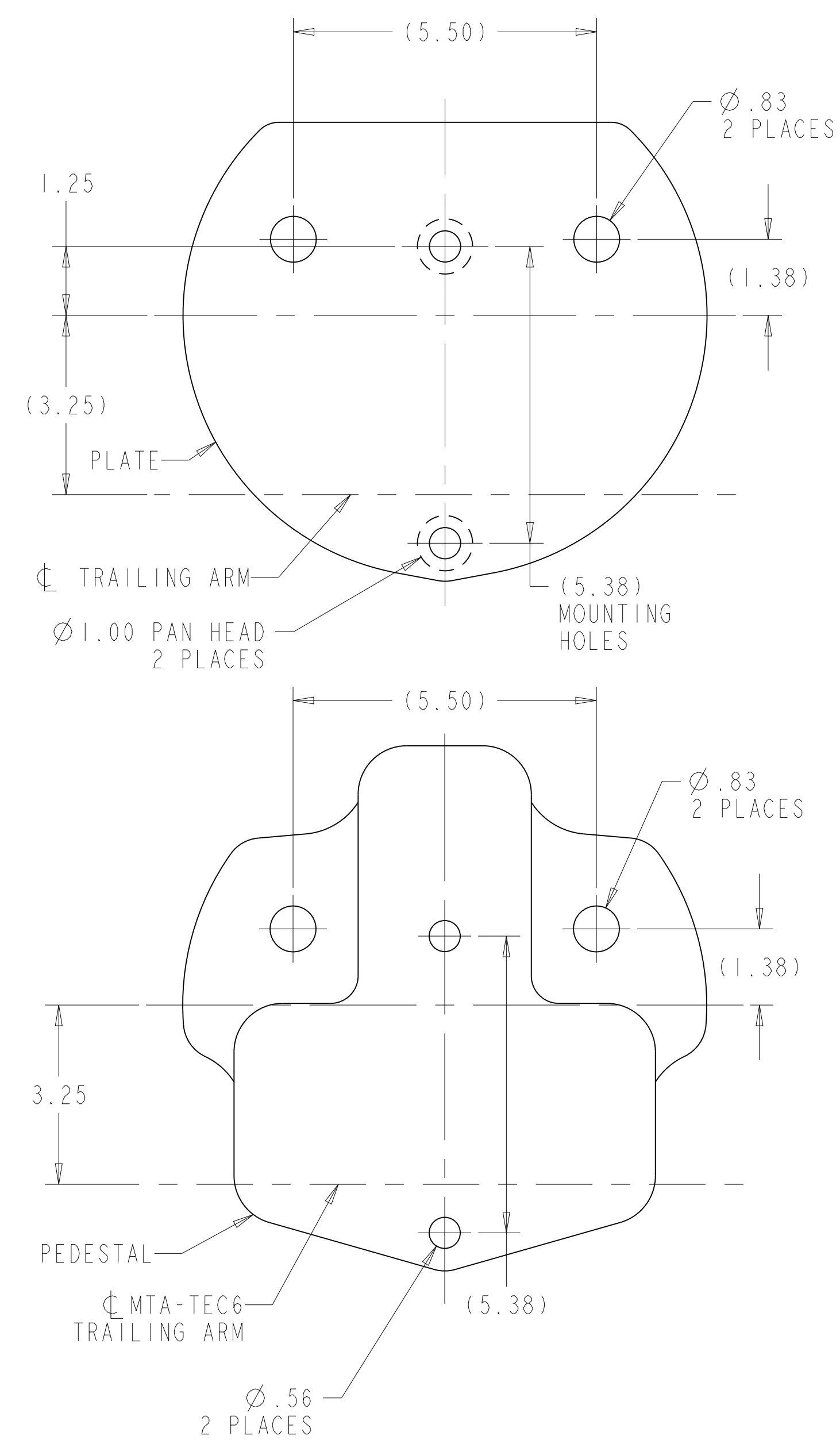
HOLE PATTERN: S#1



HOLE PATTERN: S#2



HOLE PATTERN: S#3



NOTE:
SOME MTA-TEC6-23L FRAME BRACKET TOP PLATES MAY HAVE ADDITIONAL FEATURES NOT SHOWN

| CAD FILES | |
|---------------|---------|
| NAME | TYPE |
| 5-66241AG K.3 | DRAWING |
| 5-66241AG K.2 | MODEL |

| | | | | | | | | | | | |
|---|---|----------|------------|--------------|---------|----------------------|------------|----------------------|--------------|--|-------------|
| <p>APPLY SPECIFIED MERITOR MARKINGS TO DRAFTING ENGINEERING STANDARDS 0-004</p> | <p>THIS PRINT IS LOANED ON A CONFIDENTIAL BASIS SUBJECT TO RETURN UPON DEMAND BY MERITOR AND NOTHING HEREON MAY BE REPRODUCED, USED OR DISCLOSED IN WHOLE OR IN PART WITHOUT THE PRIOR WRITTEN PERMISSION OF MERITOR.</p> | MATERIAL | APPROVED | | | DRAWN BY | CHECKED BY | 3RD ANGLE PROJECTION | DRAWING SIZE | | <p>INCH</p> |
| | | PROCESS | PROJ. ENG. | MATERIAL | SPECIAL | S. K. S. | S. S. | | E | | |
| INDUSTRY NO. | C. N. / I. E. NO. | APP. NO. | 128762 | ORIGINAL FOR | SCALE | DESIGN CONTROL GROUP | PART NO. | | | | |

DO NOT CHANGE MANUALLY

| | | |
|-------------------|--|-------------|
| ECN-132746 | PART/DWG NO. 5-66241AG_01 | EDC 00050 |
| RELEASE | NAME MTA TOP & LOW MOUNT BOLT-ON MOUNTING LAYOUT | PAGE 3 OF 3 |
| <p>TRAILER NA</p> | | |