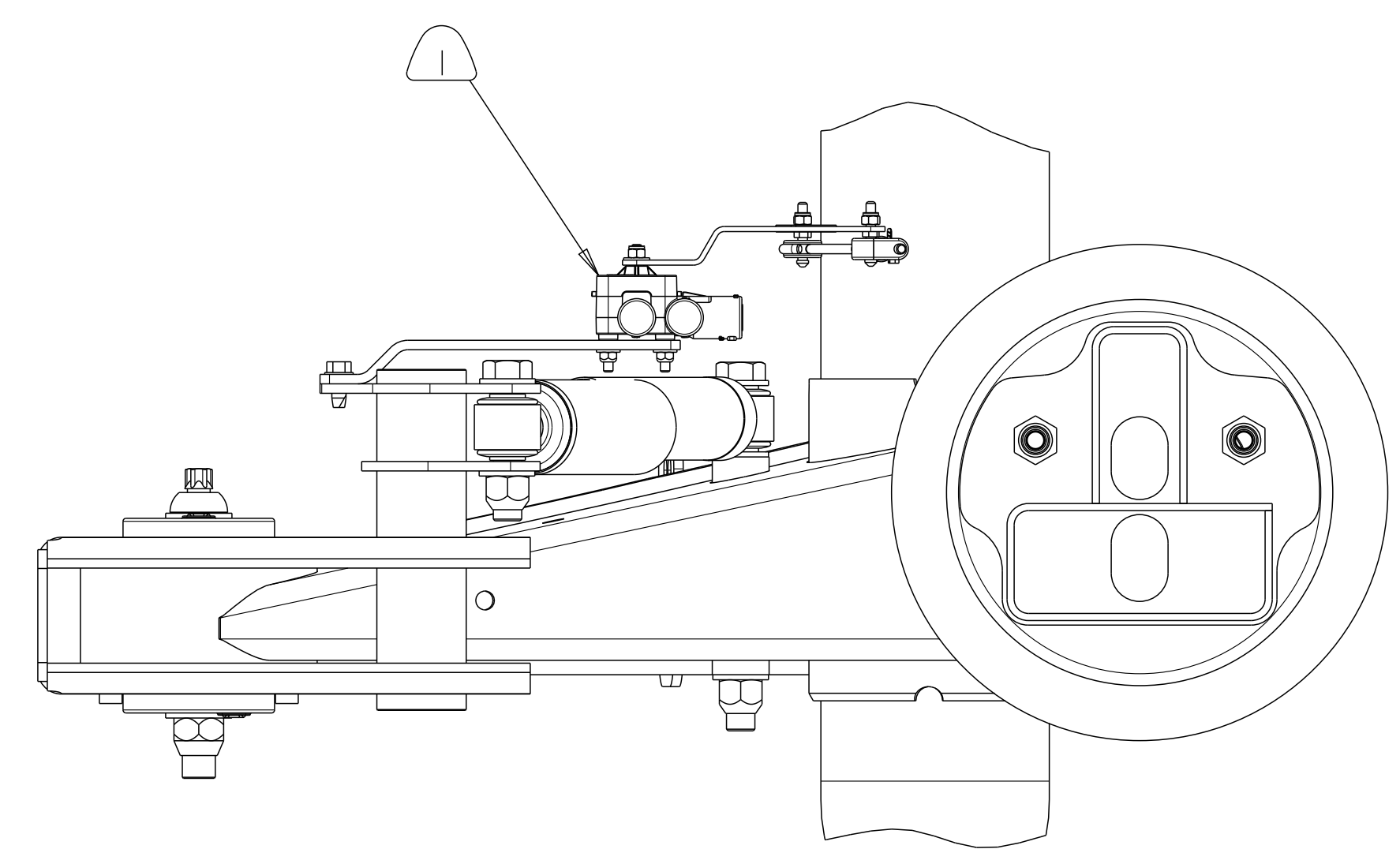
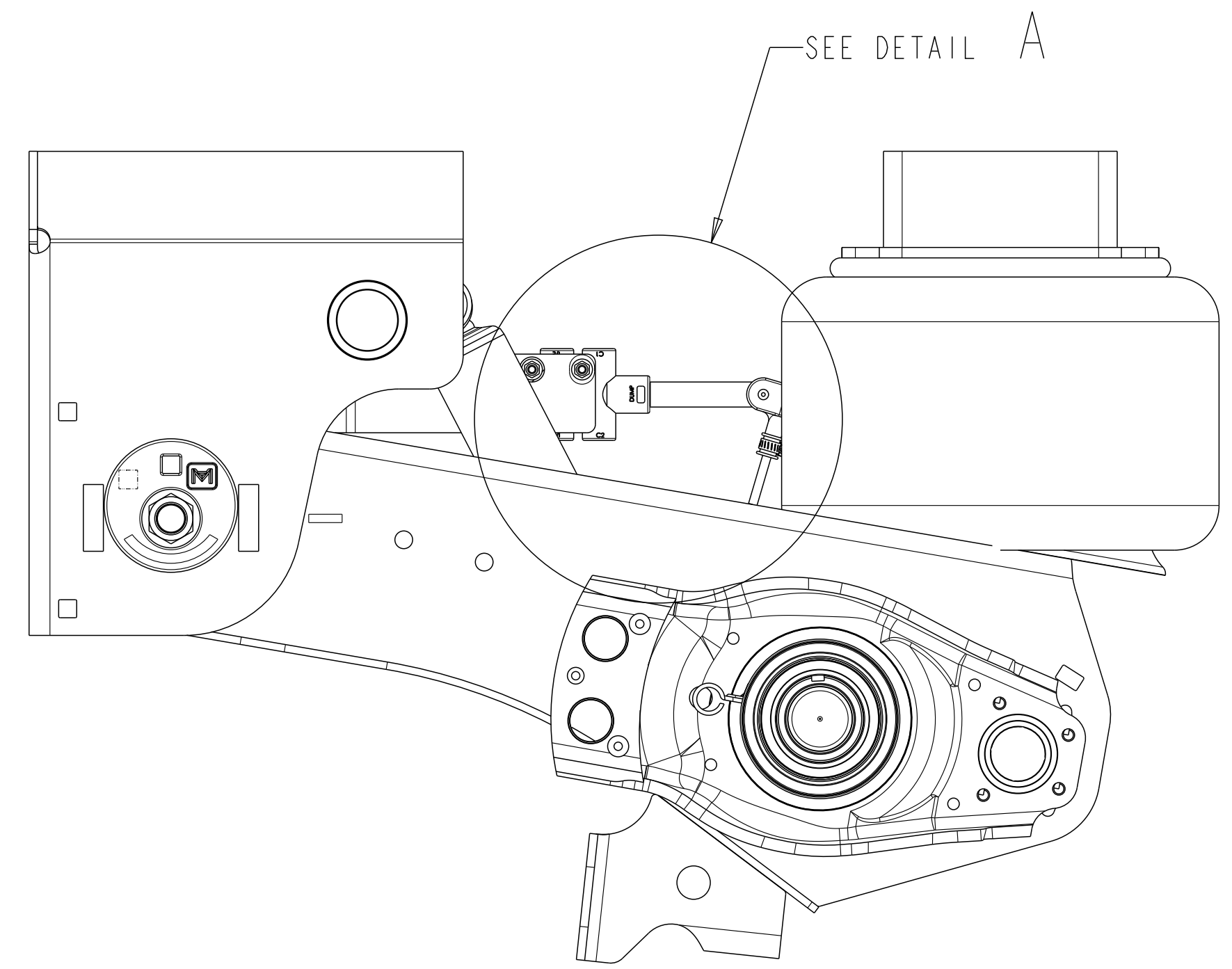


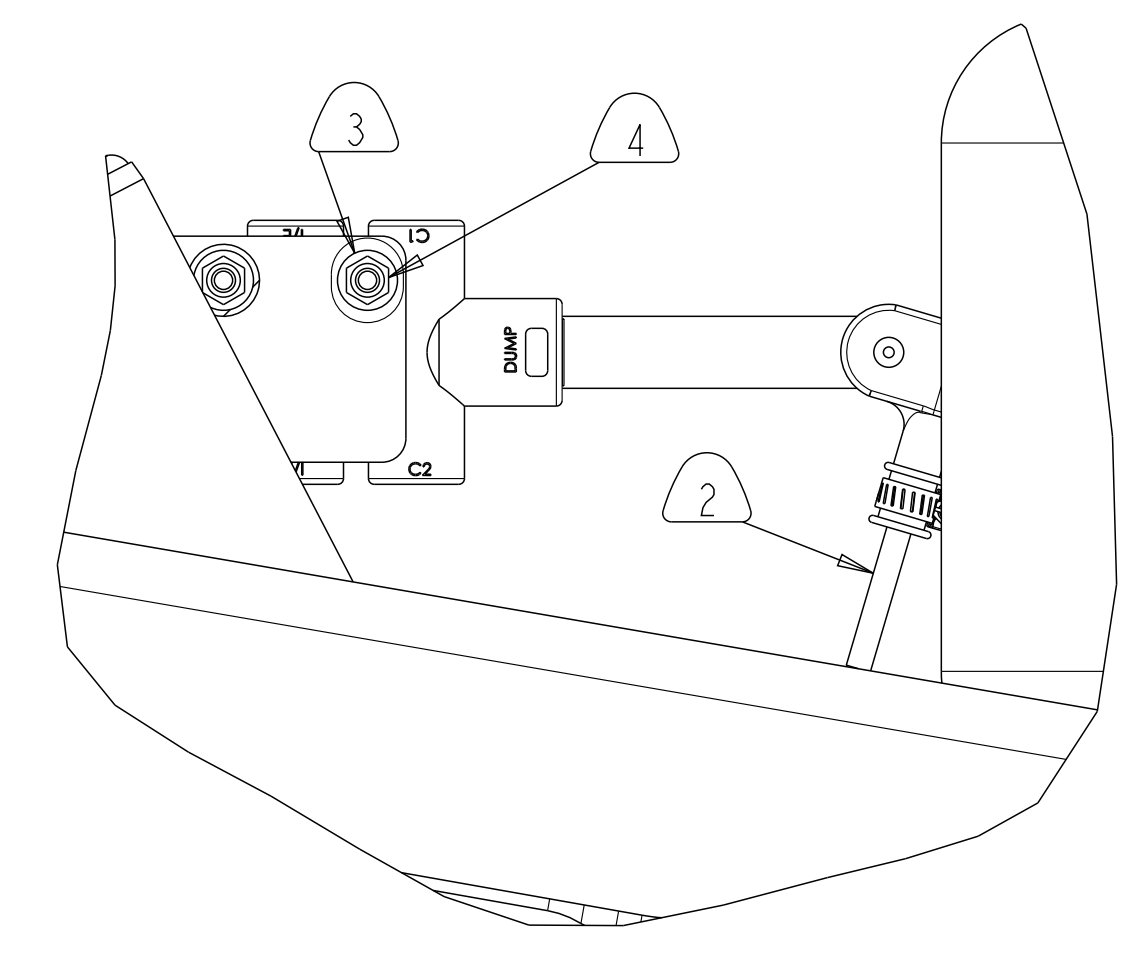
SIM. PARTS		5-65443BC	
REVISIONS			
A	RELEASE 5-65443BJ FOR PRODUCTION	ECN-130875 04/25/16	CH SS
B	UPDATED COMPONENTS TO LATEST 1) H.C.V. WAS A-780611060 2) LINK ASSY WAS A-1245S1189	ECN-133727 13-DEC-17	CH VL
C	UPDATED VIEWS TO LATEST TRAILING ARM & PIVOT BOLT	ECN-155887 29-APR-19	CH DL
D	1) ADDED TABLE 2) EDC WAS 04498	ECN-169453 24-JUN-20	CH SS



PARTIAL TOP VIEW OF ROADSIDE AXLE



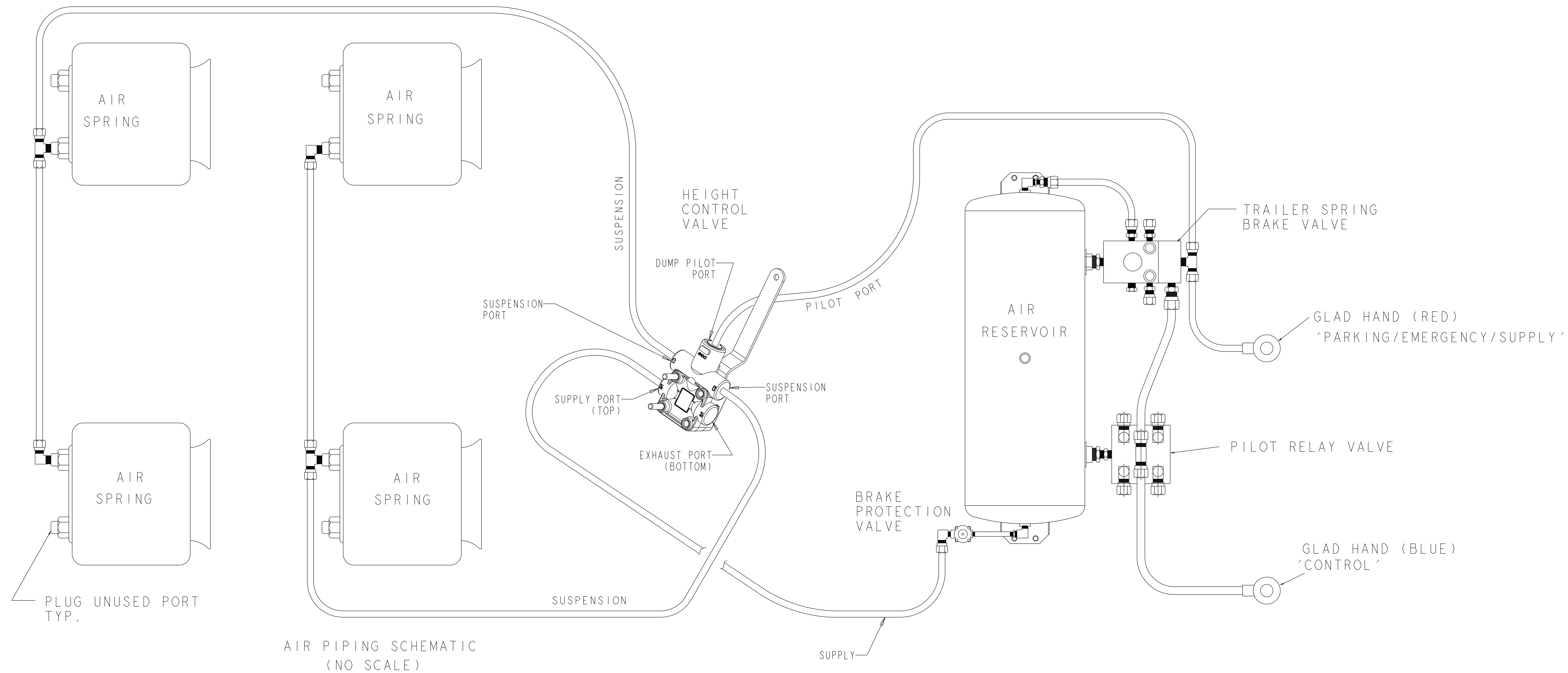
PARTIAL SIDE VIEW OF ROADSIDE OF AXLE



DETAIL A SCALE 1:2

HANGER CONFIGURATION	KIT NUMBER
WELD-ON INTERNAL TOP PLATE	MPS-5123
WELD-ON WING	MPS-5190
BOLT-ON	MPS-5121

- NOTES:
- (B1) 1 A-7806E1097 HEIGHT CONTROL VALVE ASSEMBLY (WITH DUMP)
  - (B2) 2 A-1245M1209 LINK ASSEMBY (8.50" LENGTH)
  - 3 WA34 WASHER FLAT (2) REQUIRED
  - 4 NL24-1 NUT-LOCK, FIN. (2) REQUIRED
  - 5. DO NOT ADD LUBRICATION TO AIR SYSTEM
  - 6. ALL CONNECTIONS MUST BE LEAK FREE
  - 7. AVOID SHARP BENDS IN AIR LINES
  - 8. CUSTOMER TO SUPPLY ALL TUBING AND FITTINGS



CAD FILES	
NAME	TYPE
5-65443BJ D.5	DRAWING
5-65443BJ D.4	MODEL

DO NOT CHANGE MANUALLY

APPLY SPECIFIED MERITOR MARKINGS PER DRAFTING ENGINEERING STANDARDS D-004		THIS PRINT IS LOANED ON A CONFIDENTIAL BASIS SUBJECT TO RETURN UPON DEMAND BY MERITOR AND NOTHING HEREON MAY BE REPRODUCED, USED OR DISCLOSED IN WHOLE OR IN PART WITHOUT THE PRIOR WRITTEN PERMISSION OF MERITOR.		MATERIAL		PROCESS		APPROVED		PROJ. ENG. SAIEG	MATERIAL	SPECIAL	DRAWN BY C. HOLT 4-14-16	CHECKED BY S.S. 4-14-16	3RD ANGLE PROJECTION	DRAWING SIZE E	NAME SUSPENSION AIR SYSTEM ASSY	PAGE 1 OF 1	
4 IN. 10THS. 100MM		WEIGHT RGH. /FIN. LBS		INQUIRY NO.		C.F.T.E. NO. APP. NO.		128762		ORIGINAL FOR MTA-Tec6-23T		SCALE 1:4		DESIGN CONTROL GROUP TRAILER PRODUCTS N.A.		PART NO. 5-65443BJ		EDC 04408	

D2