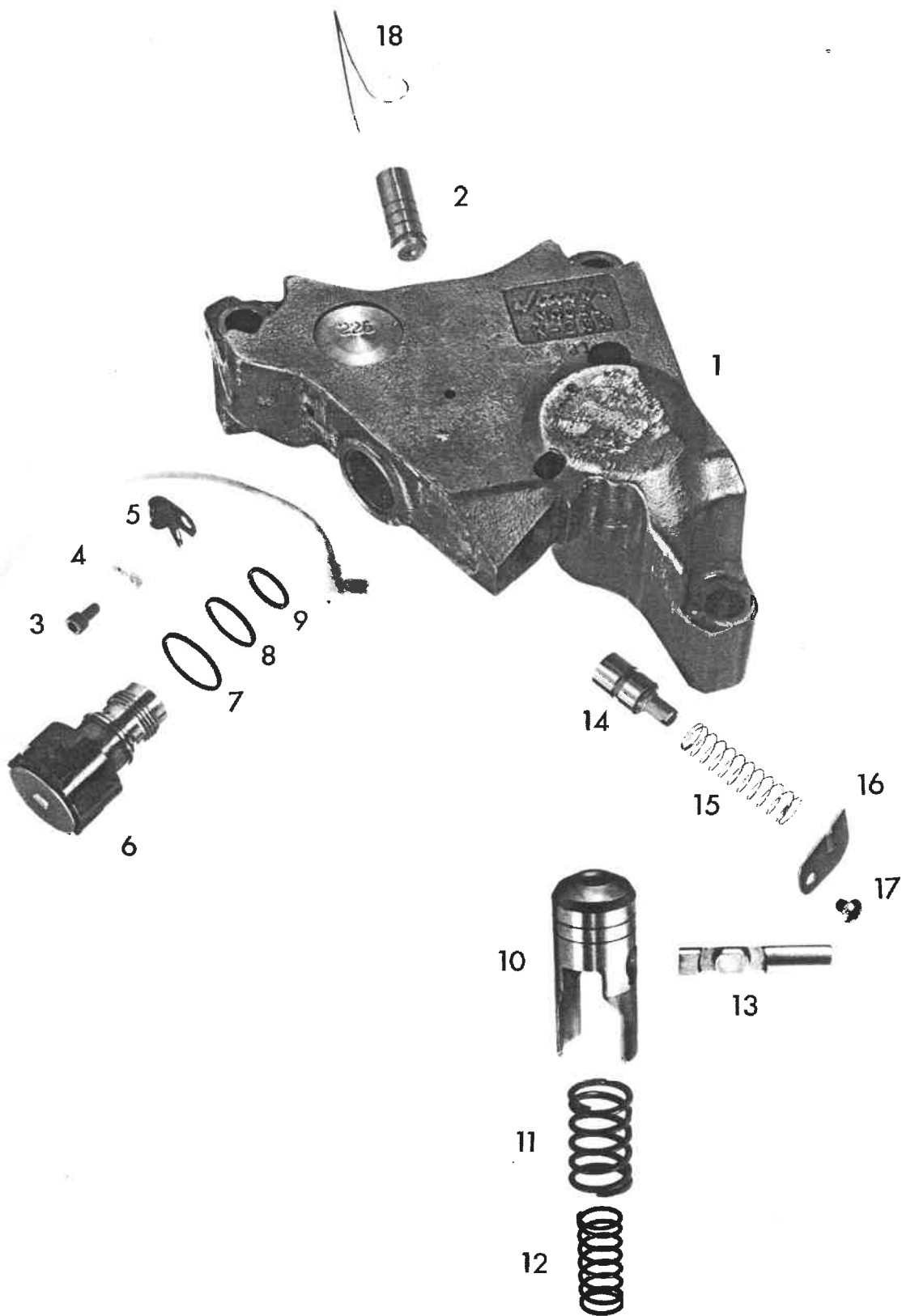


PARTS MANUAL
FOR
JACOBS ENGINE BRAKE
MODEL K-200



Manufactured by:
VEHICLE EQUIPMENT DIVISION
THE JACOBS MANUFACTURING COMPANY
West Hartford, Connecticut U.S.A. 06110



JACOBS ENGINE BRAKE
 MODEL K-200
 3407 HOUSING ASSEMBLY

THE JACOBS ENGINE BRAKE MODEL K-200

The following parts and groups are required to install the Model K-200 Engine Brake on the Cummins KT-450 (1150 C.I.D.) series engine:

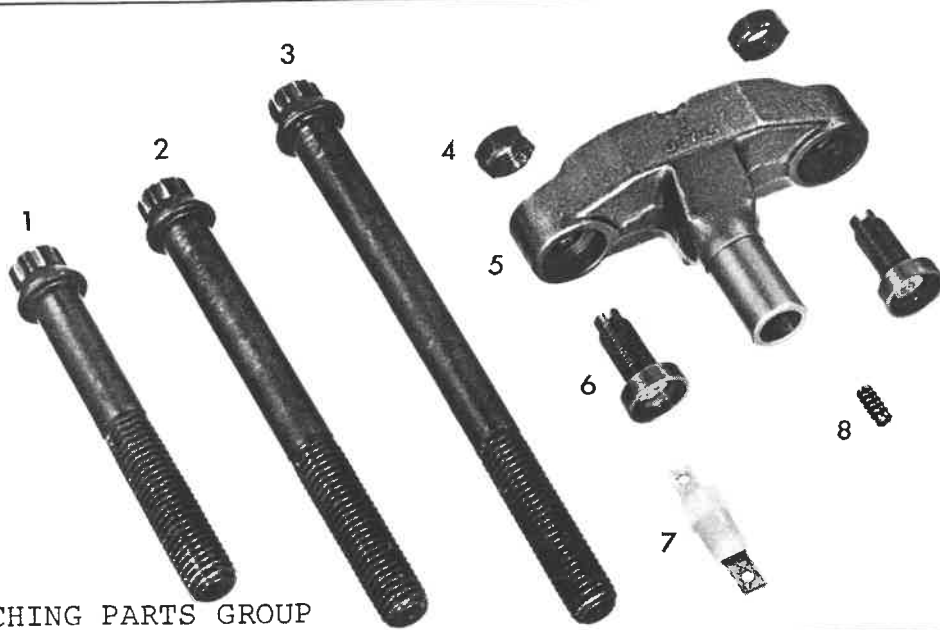
NECESSARY PARTS			
QTY. PER ENGINE	JACOBS PART NO.	PART NAME	PAGE NO.
6	3407	Housing Assembly	3
6	3455	Attaching Parts Group	5
1	3793	Cab Control Group	5
1	3792	Engine Control Group	7
MODIFICATION PARTS			
6	3803	Gasket Group	7
ACCESSORIES			
1	3454	Tool Kit	7
1	2012	Stop Light Kit	7

3407 HOUSING ASSEMBLY			
ILLUS. NO.	JACOBS PART NO.	PART NAME	NO. REQ'D PER ENGINE
1	*	Housing-Machined	6
2	3598	Piston-Master	6
3	1033	Capscrew-Hex. Socket Head	6
4	1508	"D" Washer	6
5	1507	Clamp-Solenoid Lead Wire	6
6	3784	Valve Assembly-Solenoid	6
7	1081	Seal-Ring (Upper)	6
8	1082	Seal-Ring (Center)	6
9	1083	Seal-Ring (Lower)	6
10	3755	Piston-Slave	6
11	3408	Spring-Slave Piston (Outer)	6
12	3409	Spring-Slave Piston (Inner)	6
13	3416	Pin-Spring Retainer	6
14	1200	Spool Assembly (Control Valve)	6
15	3410	Spring-Control Valve	6
16	3417	Cover-Control Valve	6
17	3411	Capscrew-Hex. Socket Button Head	6
18	3801	Retainer Clip (Master Piston)	6

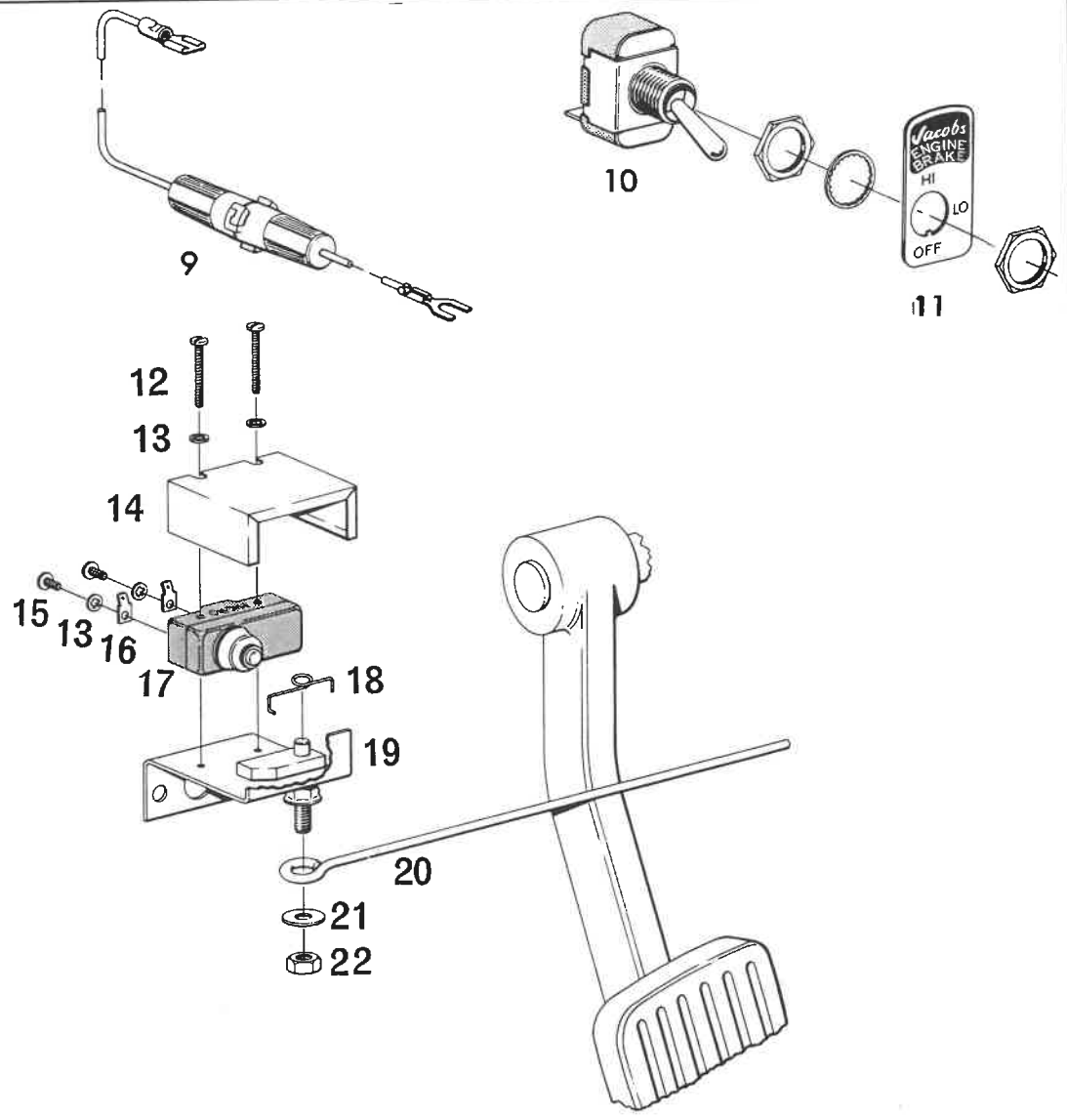
**SOLENOID VALVE PARTS (Not Illustrated)			
--	1282	Screen-Solenoid	
--	1283	Retainer-Solenoid Screen	

*Not available as a replacement part.

**Details of 3784 solenoid valve assembly may be purchased as individual parts.



3455 ATTACHING PARTS GROUP



3793 CAB CONTROL GROUP

3455 ATTACHING PARTS GROUP

ILLUS. NO.	JACOBS PART NO.	PART NAME	NO. REQ'D PER ENGINE
1	3442	Capscrew-(12 point head) 3 3/4"	6
2	3443	Capscrew-(12 point head) 5 1/8"	6
3	3444	Capscrew-(12 point head) 6 3/8"	6
4	3720	Nut-Hex. Jam	12
5	3714	Crosshead-Exhaust Valve	6
6	3418	Screw-Crosshead Adjusting	12
7	2299	Terminal Assembly	6
8	3798	Plug (Rocker Shaft)	6

3793 CAB CONTROL GROUP

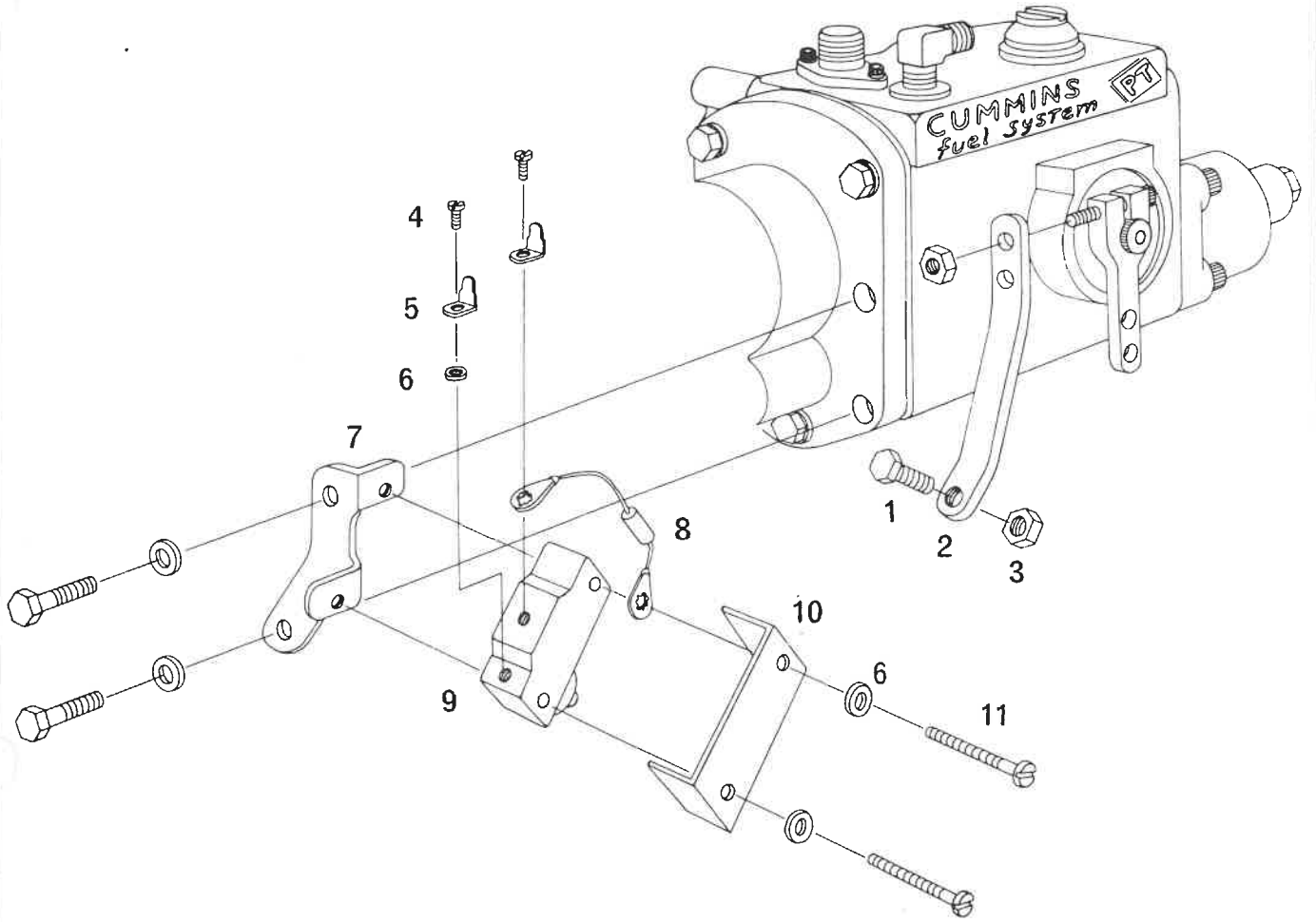
ILLUS. NO.	JACOBS PART NO.	PART NAME	QTY. PER GROUP
*	3776	Switch Assy.-Dash (3-Position)	1
**	1495	Switch Assy.-Clutch	1
9	3780	Harness-Ign. to Clutch (Fuse in Line)	1
NI	3781	Harness-Wire (16 ft.)	1
NI	3278	Receptacle-Quick Disconnect	5
NI	3807	Terminal-Spade	1
NI	3707	Tube-Shrink (3/16" diameter)	6
NI	2996	Tie-Cable (5 1/2 inch)	6
NI	2997	Tie-Cable (11 inch)	6

*3776 SWITCH ASSEMBLY
DASHBOARD CONTROL (3 POSITION)

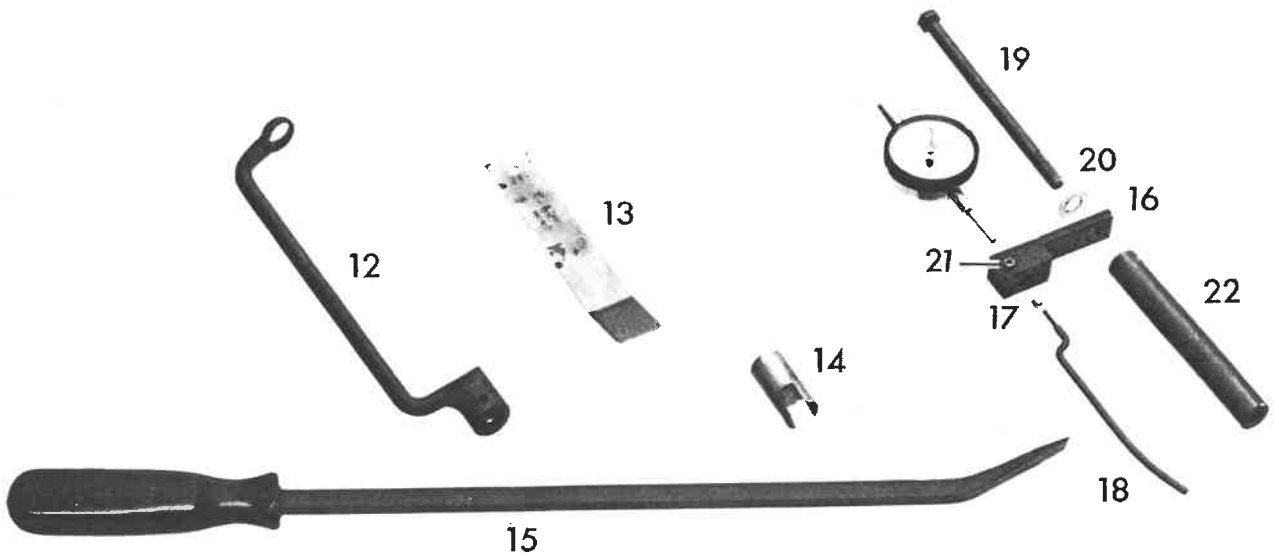
ILLUS. NO.	JACOBS PART NO.	PART NAME	QTY. PER ASSEMBLY
10	3586	Switch-Toggle (3 Position)	1
11	3777	Plate-Dashboard Control Switch	1

**1495 CLUTCH SWITCH ASSEMBLY
(One Assembly per 3793 Cab Control Group)

ILLUS. NO.	JACOBS PART NO.	PART NAME	QTY. PER ASSEMBLY
12	1244	Screw-Tapping (Switch Assembly)	2
13	1559	Washer-Lock	4
14	1506	Cover-Switch	1
15	1558	Screw-Switch Terminal	2
16	1040	Terminal-Switch	2
17	1218	Switch	1
18	1497	Spring-Switch Actuating Lever	1
19	2198	Bracket and Lever Machined Assembly - Switch Mounting	1
20	2183	Rod-Switch Actuating	1
21	2190	Washer-Flat (Switch Actuating)	1
22	2186	Nut-Hex (Switch Actuating)	1



3792 ENGINE CONTROL GROUP



3454 TOOL KIT

3792 ENGINE CONTROL GROUP
(One Group Required Per Engine)

ILLUS. NO.	JACOBS PART NO.	PART NAME	QTY. PER GROUP
1	1182	Screw-Hex. Head Machine	1
2	1179	Arm-Switch Actuator	1
3	1181	Nut-Hex	1
*	1219	Switch Assembly (Neg. Ground)	1
NI	3789	Harness (3 Pos. Sw. to Brake)	2
NI	3791	Receptacle	2
NI	3778	Auto Loom (8 ft.)	1

* 1219 SWITCH ASSEMBLY (NEGATIVE GROUND)

4	1558	Screw-Binder Hd. (Switch Terminal)	2
5	1512	Terminal-Quick Disconnect	2
6	1559	Washer-Lock	3
7	1178	Bracket-Switch Mounting	1
8	1534	Diode	1
9	1218	Switch	1
10	1180	Cover-Switch	1
11	1244	Screw-Tapping (Switch Assy.)	2

2012 STOP LIGHT KIT (Optional)

ILLUS. NO.	JACOBS PART NO.	PART NAME	QTY. PER KIT
NI	1512	Tab-Quick Disconnect	8
NI	2013	Wire-Stop Light	1
NI	2014	Receptacle-Quick Disconnect	8
NI	2015	Relay-Stop Light	1

Not legal in some states. Consult state law enforcement agencies regarding its use.

3454 TOOL KIT

**	3520	Dial Indicator Group	1
12	3609	Wrench-Adapter	1
13	3451	Gauge-Feeler (.018")	1
14	3453	Assembly Tool-Slave Piston	1
15	3610	Bar-Rocker Lever Pry	1

** 3520 DIAL INDICATOR GROUP

ILLUS. NO.	JACOBS PART NO.	PART NAME	PER GROUP
16	3517	Holder-Dial Indicator	1
17	3515	Nut-Hex.	1
18	3719	Stem-Dial Indicator	1
19	3487	Capscrew-Hex. Socket Head	1
20	3456	Washer-Plain	1
21	3519	Capscrew-Hex Head	1
22	3516	Spacer	1

3803 GASKET GROUP

ILLUS. NO.	JACOBS PART NO.	PART NAME	PER GROUP
NI	3800	Gasket-Rocket Housing Cover	6
NI	3799	Gasket-Air Crossover	1

NI - NOT ILLUSTRATED