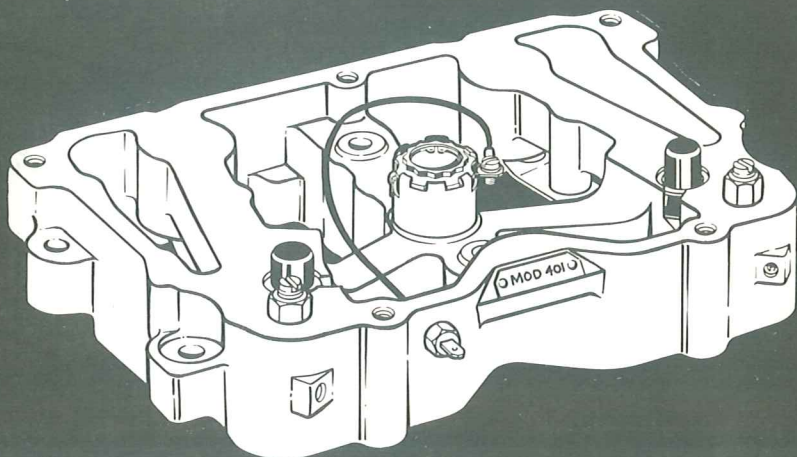




Parts Manual for MODEL 401A, 401B, 401C

Jacobs[®]
**ENGINE
BRAKE**

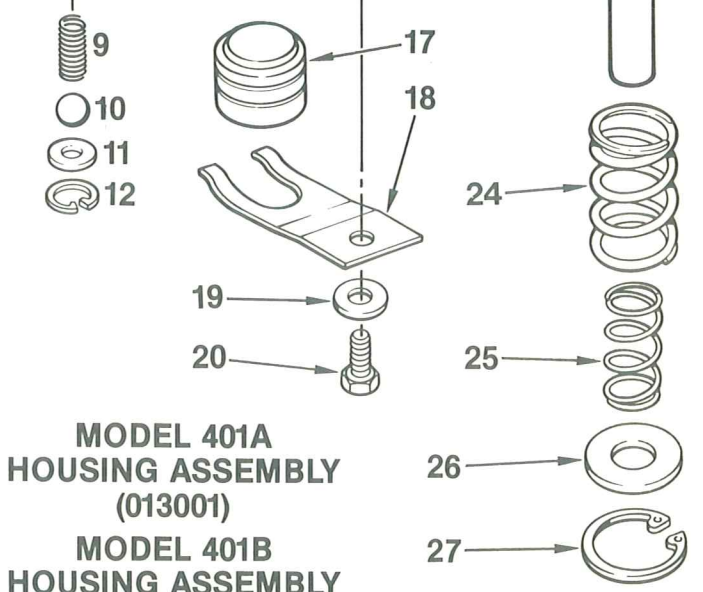
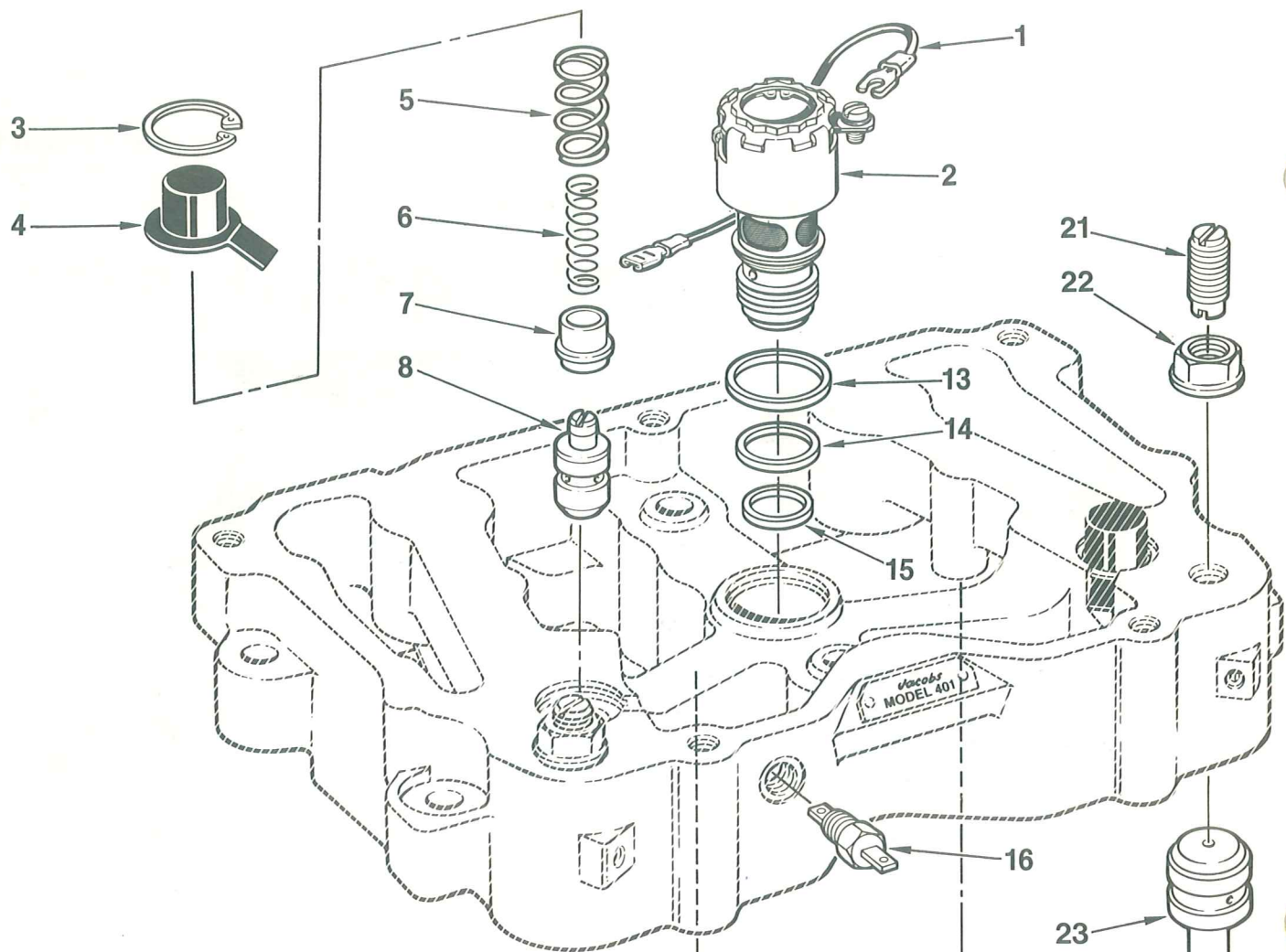


REFER TO THE JACOBS INSTALLATION MANUAL, P/N 009975
(ENGLISH) AND P/N 012667 (SPANISH) FOR SPECIFIC ENGINE
APPLICATION INFORMATION

This product is covered by U.S. Patent No. 4, 473, 047. Foreign patents issued
or applied for.



The Jacobs Manufacturing Company
Vehicle Equipment Division
Bloomfield, CT 06002 U.S.A.



**MODEL 401A
HOUSING ASSEMBLY
(013001)**

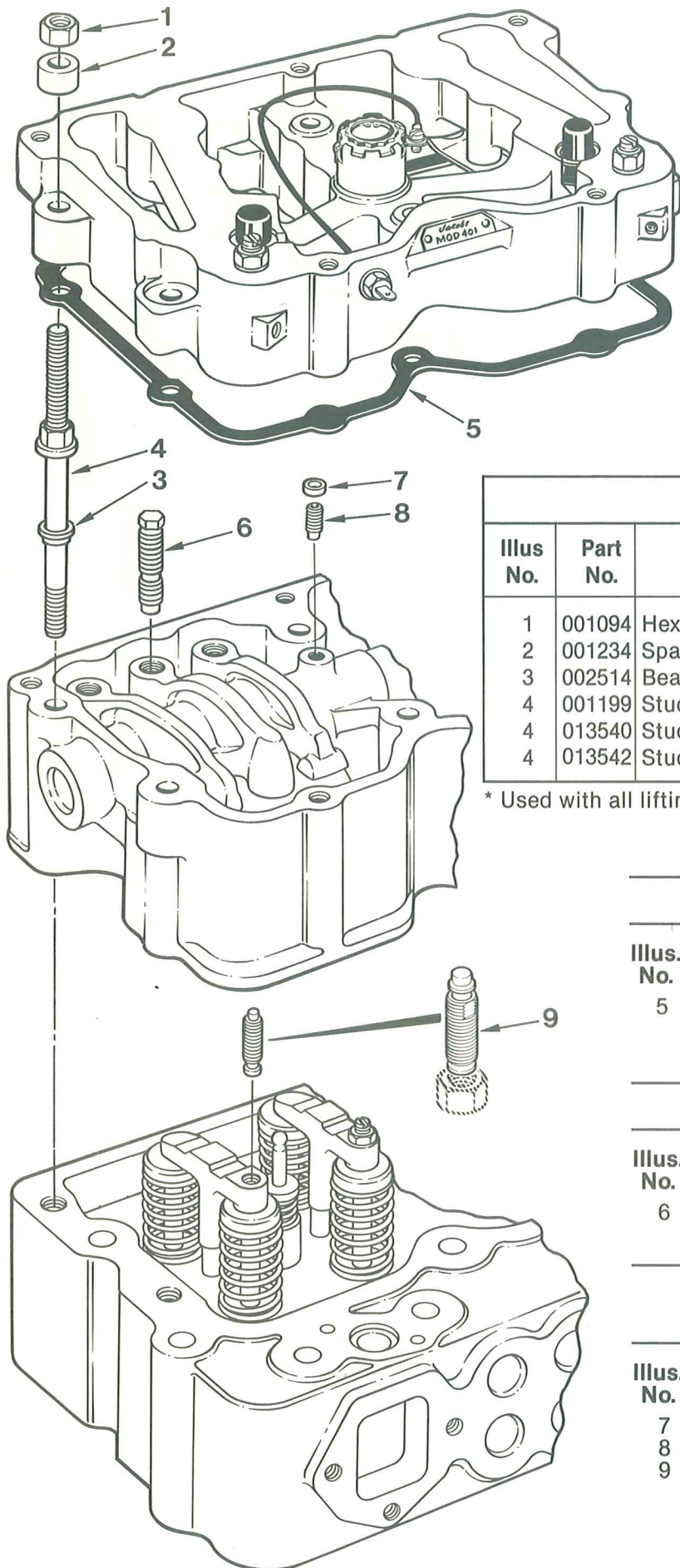
**MODEL 401B
HOUSING ASSEMBLY
(013121)**

**MODEL 401C
HOUSING ASSEMBLY
(013144)**

* PN 009435 Retainer and PN 009645 Ring to be used on 401B Housings with Serial No. less than B208095 and 401C Housings with Serial No. less than B207123.

Illus. No.	Part No.	Part Name	Qty/ Assy
1	002390	Harness - Solenoid	1
2	008674	Solenoid Valve - 12 VDC	1
2	013472	Solenoid Valve - 24 VDC	1
3	011284	Ring - Retaining	2
4	011252	Cover - Control Valve	2
5	011253	Spring - Outer	2
6	007500	Spring - Inner	2
7	011251	Collar - Control Valve	2
8	011283	Control Valve	2
9	011259	Spring - Ball Check	1
10	011262	Ball	1
11	011260	Retainer - Spring	1
12	011261	Ring - Retaining	1
13	001081	Seal Ring - Upper	1
14	001082	Seal Ring - Center	1
15	001083	Seal Ring - Lower	1
16	002299	Terminal Assembly	1
17	001017	Master Piston - (401B) .875 Dia.	2
17	009438	Master Piston - (401C) 1.000 Dia.	2
17	012733	Master Piston - (401A) .937 Dia.	2
18	007447	Spring - Flat (401A & 401C)	2
18	011841	Spring - Flat (401B)	2
19	001030	Washer	2
20	001492	Capscrew	2
21	011267	Screw Assembly - Reset	2
22	011395	Nut - Hex	2
23	009439	Slave Piston	2
24	009433	Spring - Outer	2
25	009432	Spring - Inner	2
26*	013500	Retainer - Spring	2
27*	011284	Ring - Retaining	2

Note: For dual lead electrical systems contact Jacobs Customer Service Department.



STUD AND SPACER GROUPS

Illus No.	Part No.	Part Name	Qty/6 Cyl. Engine				
			013538	013578	013880	013894	014040
1	001094	Hex Nut	18	18	18	18	18
2	001234	Spacer*	8	4	6	8	4
3	002514	Bearing Washer	18	18	18	18	18
4	001199	Stud — 7 1/8"	8	12	12	10	12
4	013540	Stud — 8 5/8"	2	—	—	—	2
4	013542	Stud — 8 1/8"	8	6	6	8	4

* Used with all lifting eyes

01 013294 GASKET SET

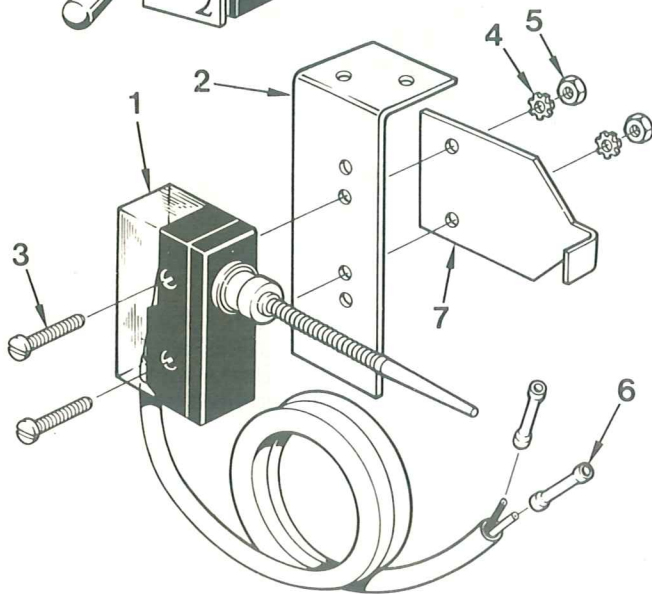
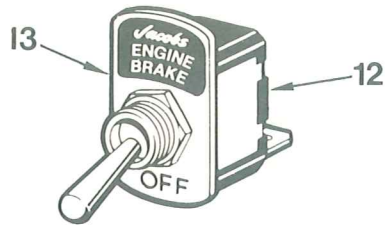
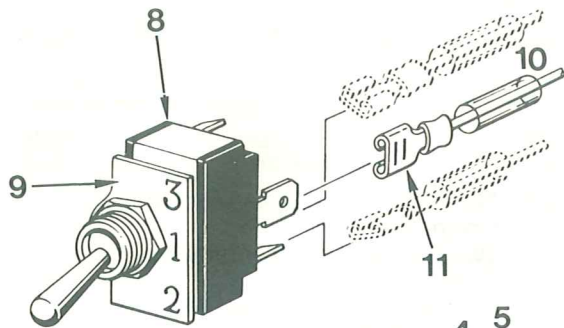
Illus. No.	Part No.	Part Name	Qty/6 Cyl. Engine
5	013294	Gasket - Rocker Hsg. to Brake Hsg.	3

012409 ADJUSTING SCREW GROUP

Illus. No.	Part No.	Part Name	Qty/6 Cyl. Engine
6	003678	Screw - Inj. Adj.	6

012369 OIL SUPPLY AND CROSSHEAD SCREW GROUP

Illus. No.	Part No.	Part Name	Qty/6 Cyl. Engine
7	010180	Seal Ring	3
8	002969	Screw - Oil Supply	3
9	013555	Screw Ass'y. - Crosshead	6

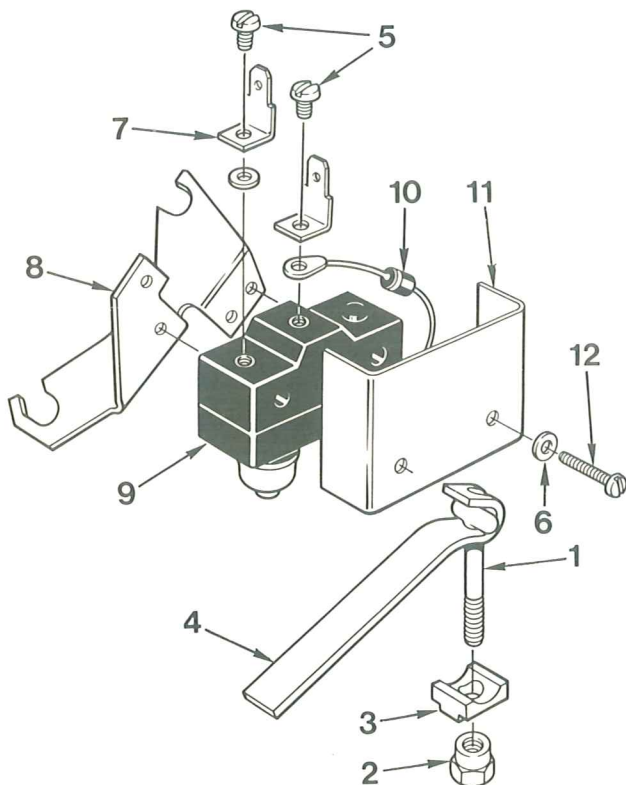


012261 CLUTCH SWITCH ASSEMBLY

003965 CAB CONTROL GROUP

Illus. No.	Part No.	Part Name	Qty/Grp
	012261	Switch Assembly — Clutch	1
1	012246	• Clutch Switch	1
2	012269	• Switch Mount Bracket	1
3	005377	• Pan Head Screw	2
4	005378	• Lockwasher	2
5	003306	• Hex Nut	2
6	013078	• Butt Splice	2
*7	012262	• Overtravel Bracket	1
NI	013674	• Instruction Sheet	1
	002970	Switch Assy — Dash	1
8	002957	• Switch — Toggle	1
9	002959	• Plate — Dash	1
10	003707	Shrink Tube	4
11	003278	Receptacle	4
12	001304	Dash Switch	1
13	001305	Plate-Dash Switch	1
NI	003781	Harness — Wire	1
NI	003964	Diagram — Wiring	1
NI	006833	Tie — Cable	12
NI	003708	Shrink Tube	2

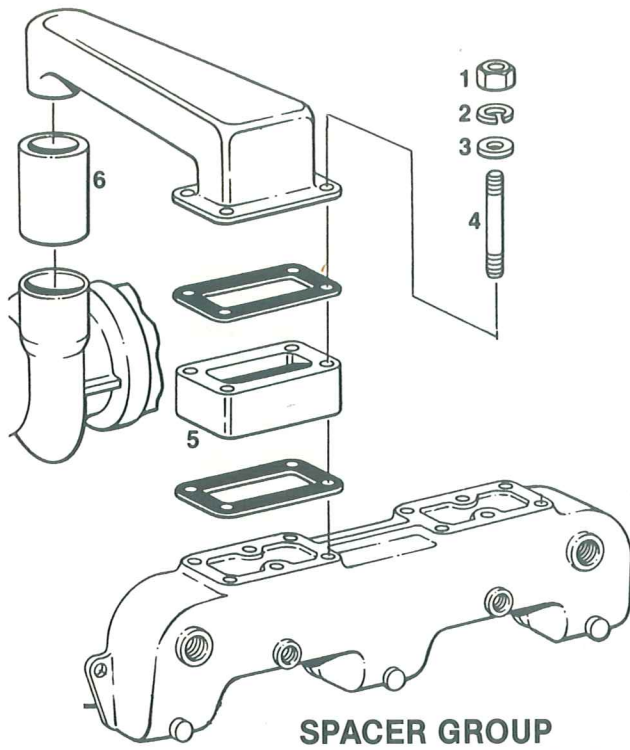
* Optional item not included in group.



014035 ENGINE CONTROL GROUP

Illus. No.	Part No.	Part Name	Qty/Grp
1	014028	Tee Bolt	1
2	014030	Tee Bolt Nut	1
3	003768	Tee Bolt Guide	1
4	014027	Switch Actuating Lever	1
	007671	Switch Assy (Neg. Gnd.)	1
5	001558	• Screw — Binder Head	2
6	001559	• Washer — Lock	3
7	001512	• Tab — Quick Disconnect	2
8	006796	• Bracket — Switch Mount	1
9	001218	• Switch	1
10	001534	• Diode	1
11	001180	• Cover — Switch	1
12	001244	• Screw — Tapping	2
NI	003708	Tube — Shrink	3
NI	002014	Receptacle	3
NI	003881	Harness	3
NI	003778	Loom — Auto	1
NI	013997	Instruction Sheet	1

**001271 SPACER GROUP
AIR INTAKE MANIFOLD CONNECTION**
(For Use on Cummins Side Mount Turbochargers)

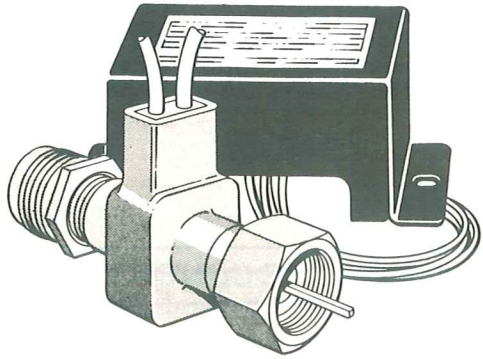


Illus. No.	Part No.	Part Name	Qty/Grp
1	001276	Nut - Hex (Air Intake Manifold Conn. Stud)	6
2	001275	Washer - Lock (Air Inlet Manifold Conn. Stud)	6
3	001274	Washer Plain (Air Inlet Manifold Conn. Stud)	6
4	001273	Stud - (Air Intake Manifold Connection)	6
*5	001226	Spacer - 2 3/8" Thick (Air Inlet Manifold Conn.)	1
**6	001229	Air Outlet Conn. 3 3/8" I.D. (Used on T50, VT-50 or T-590 Turbocharger)	1
**6	001255	Air Outlet Conn. 3" I.D. Used on T-506 Turbocharger	1

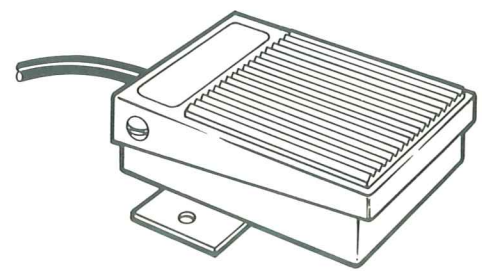
*Available Optional Spacers: 1 5/8" thick Part No. 1065, 1" thick Part No. 1714 and 1/2" thick Part No. 2805
NOTE: If there is sufficient Engine Brake installation clearance available, no Spacer is required.
**Select to match engine.

**SPACER GROUP
AIR INTAKE MANIFOLD**

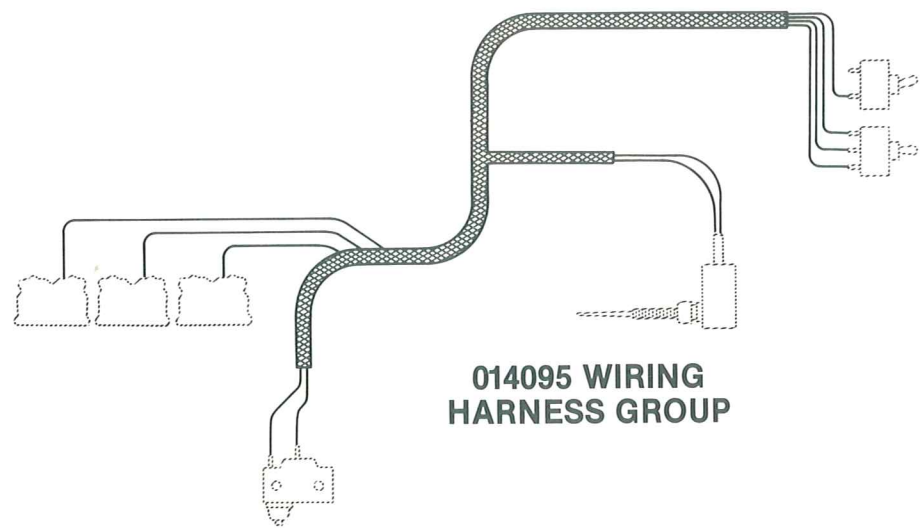
CONTROL SYSTEM OPTIONS



**010489 LOW SPEED SHUTOFF
SWITCH KIT**



012260 FOOT SWITCH

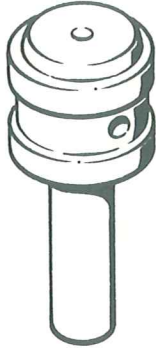


**014095 WIRING
HARNESS GROUP**

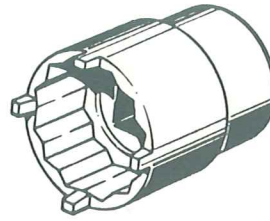
SERVICE TOOLS AND PARTS



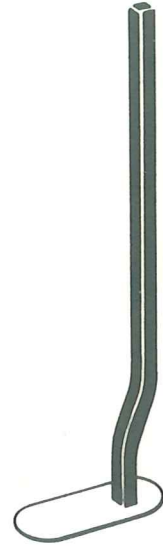
**013898
GASKET
SET**



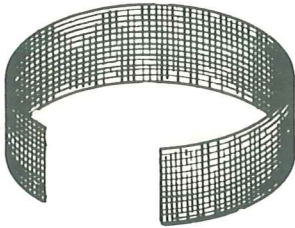
**012397
SLAVE
PISTON
(SHORT)**



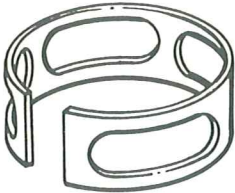
**011494
SOLENOID
WRENCH**



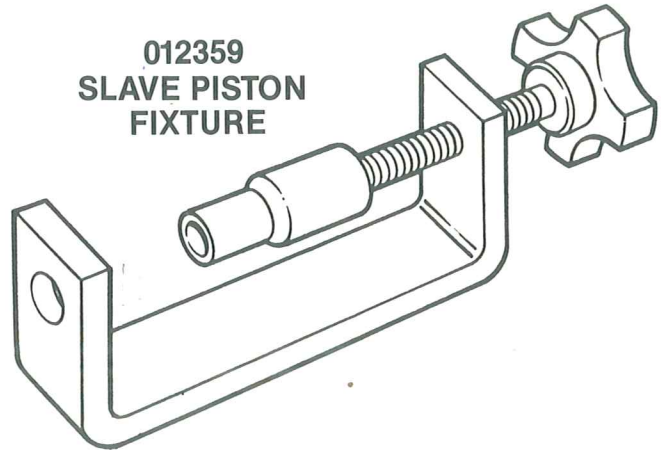
**003087 GAUGE 0.018 in. (.46mm)
014547 GAUGE 0.021 in. (.54 mm)**



**001282
SOLENOID
SCREEN**



**001283 SOLENOID
SCREEN RETAINER**



**012359
SLAVE PISTON
FIXTURE**