



TO: JACOBS WAREHOUSE DISTRIBUTORS  
JACOBS FIELD PERSONNEL

DATE: JAN 13, 1994

EXTARDER PRODUCT ADVISORY  
94-1

SUBJECT: PRESSURE RELIEF VALVE P/N 19485

Extarder Product Advisory 93-2, issued November 15, 1993 advised of a potential problem that had been discovered with several installations of the Pneumatic Group (P/N 19482), related to an inability to maintain Reservoir air pressure. This problem had been tracked down to a leaky Pressure Relief Valve, P/N 19485.

Jacobs has now revised this component to correct the problem.

Each Jacobs Warehouse Distributor will receive a quantity of the revised Pressure Relief valve P/N 19485 equal to the number of kits P/N 19481 and groups P/N 19482 purchased.

These replacement pressure relief valves are supplied at no charge.

Please remove the old pressure relief valves from the kits and groups in your inventory and replace with the new valve. The revised valve is physically smaller than the original valve, and may be identified from the attached sketch.

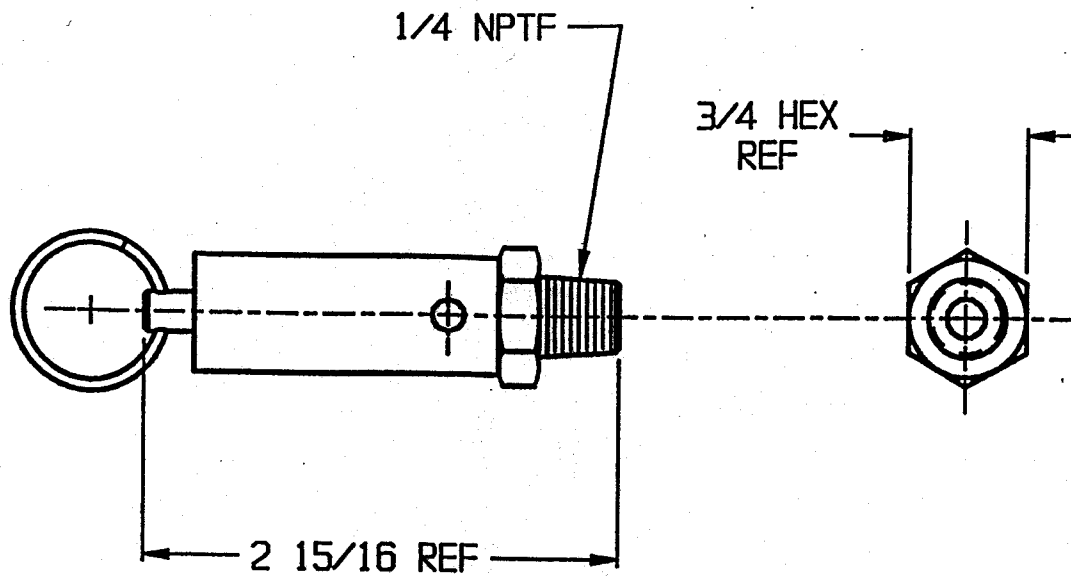
Return all the old pressure relief valves to Jacobs.

A credit of \$10.00 will be issued for each valve returned, to cover the cost of opening up these kits.

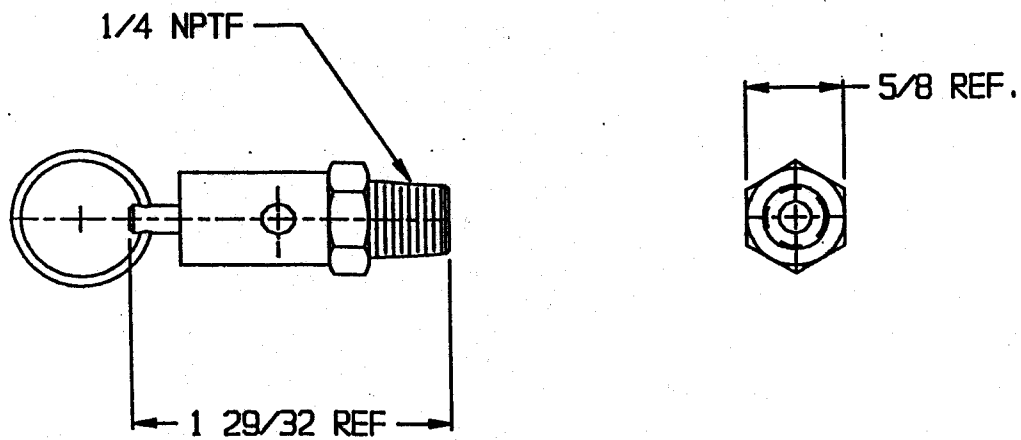
Please file on the Extarder Warranty Claim Form, reference Product Advisory 94-1.

Product Marketing

**PRODUCT ADVISORY**



**OLD VALVE**



**NEW VALVE**